

CD RECEIVER

KDC-1016/115S

SERVICE MANUAL

KENWOOD

© 1999-12 PRINTED IN JAPAN
B51-7574-00 (N) 1793

Extension cord	Parts No.
CD mechanism(22P)	W05-0618-00

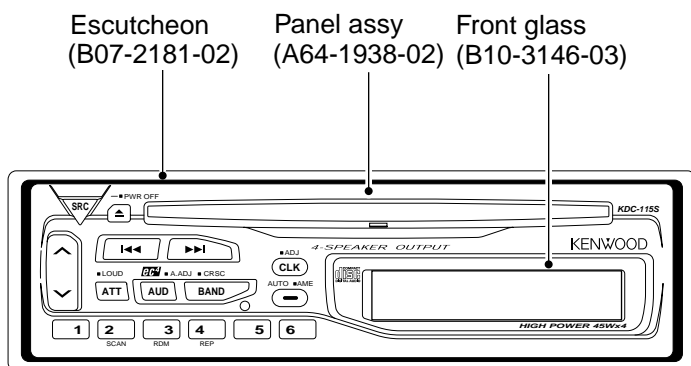


Illustration is KDC-115S.

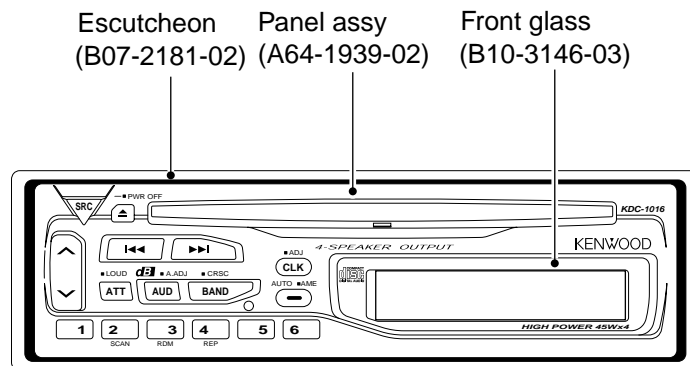
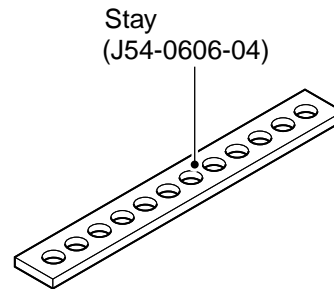
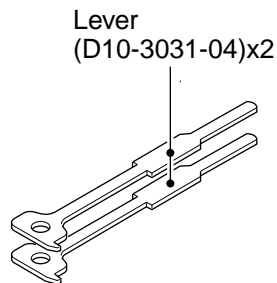
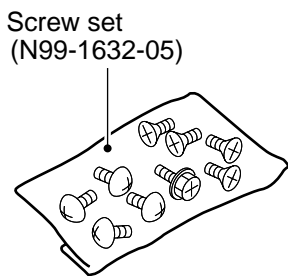
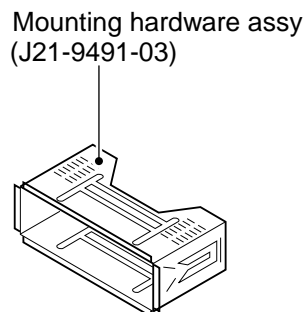
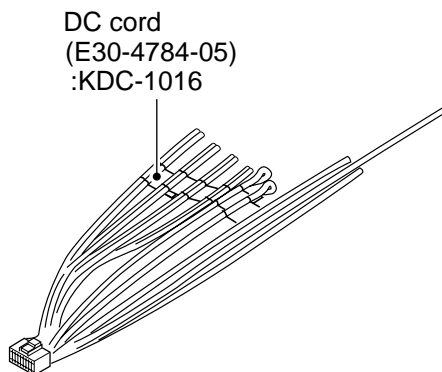
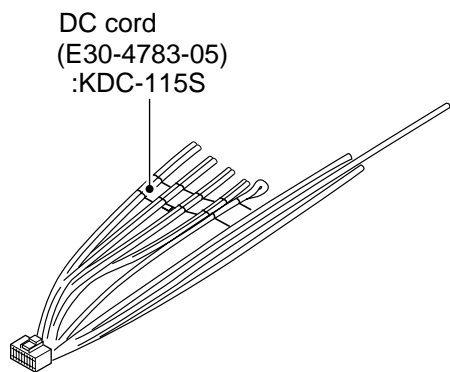


Illustration is KDC-1016.



The MECHANISM OPERATION DESCRIPTION is the same as model KDC-S3007 and KDC-5050RG. Please refer to the service manual for model KDC-S3007(B51-7029-00) or KDC-5050RG(B51-7099-00).



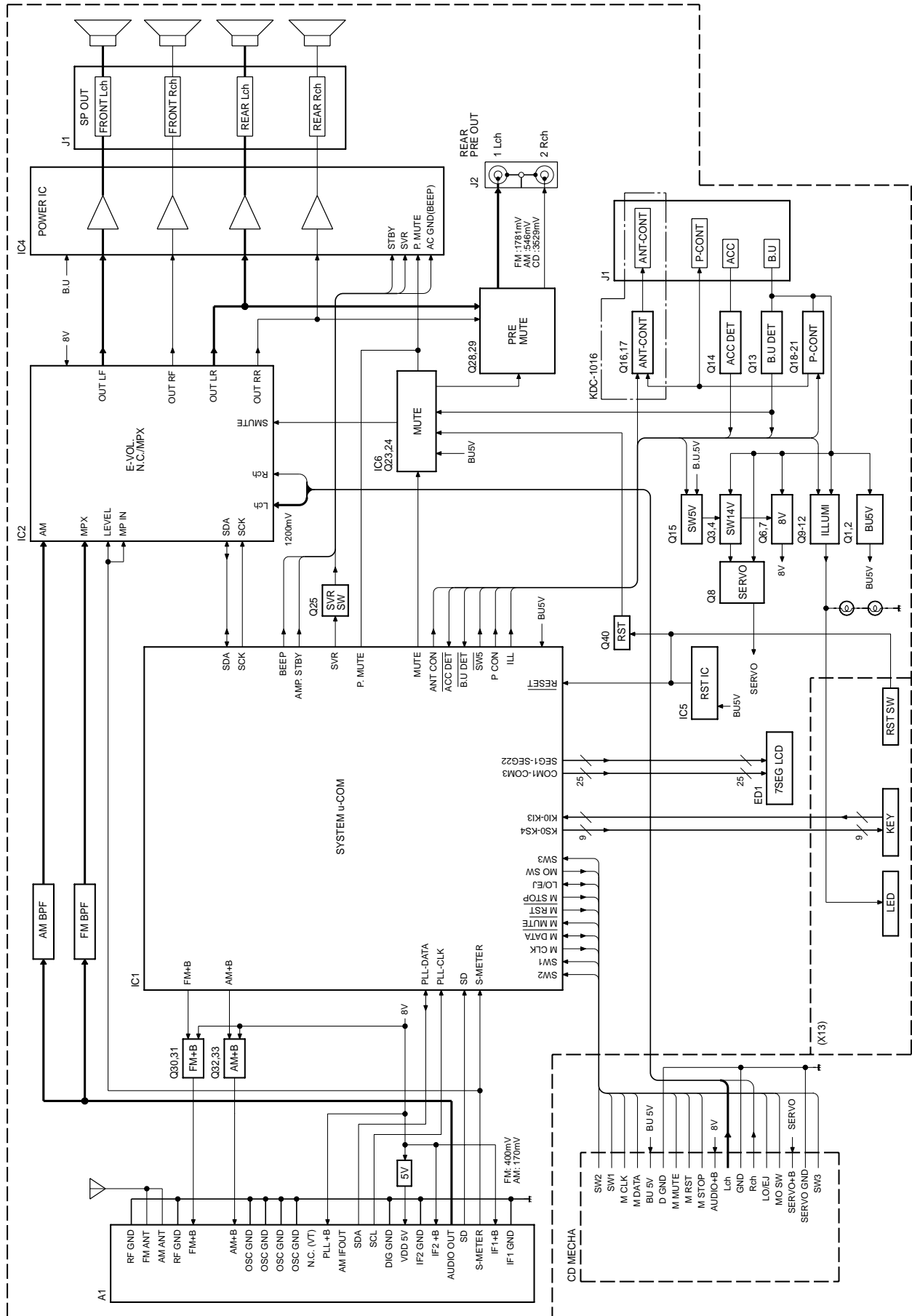
KDC-1016/115S

CONTENTS

- BLOCK DIAGRAM 3
- COMPONENT DESCRIPTION 4
- MICRO COMPUTER'S DECRPTION 6
- ADJUSTMENT 8
- PC BOARD 9
- SCHEMATIC DIAGRAM 15
- EXPLODED VIEW 21
- PARTS LIST 23
- SPECIFICATIONS BACK COVER

KDC-1016/115S

BLOCK DIAGRAM



KDC-1016/115S

COMPONENT DESCRIPTION

●ELECTRIC UNIT(X25-8420-XX)

Ref.No.	Component Name	Application/Function	Operation/Condition/Compatibility
IC1	M38258MCD067FP	System MI-COM.	
IC2	TDA7400D	E-VOL. & N.C. MPX	
IC4	TDA7386	Power IC	
IC5	PST9135NR	Reset IC	"Lo": Detection voltage below 3.5V
IC6	HD74HC27FP	Mute logic	3 input NOR gate x3
Q1	2SB1565(E,F)or2SB1655(E,F)	BU 5V AVR	Inverted darlington connection ON during BU applied.
Q2	2SC2412Kor2SD601A		
Q3	DTA124EKorUN2112orKRA103S	SW14V	Audio 8V AVR and Servo AVR ON/OFF control Q3 is turned ON when Q4's base goes "Hi".
Q4	DTC144EKorUN2213orKRC104S		
Q6	2SB1184	Audio 8V AVR	Inverted darlington connection Q6 is turned ON when Q7's base goes "Hi".
Q7	2SC2412Kor2SD601A		
Q8	2SD2396	Servo AVR	ON when the base goes "Hi".
Q9	DTC144EKorUN2213orKRC104S	Illumination AVR	Inverted darlington connection ON when Q9's base goes "Hi".
Q10	DTA124EKorUN2112orKRA103S		
Q11	2SB1184		
Q12	2SC2412Kor2SD601A		
Q13	2SC2412Kor2SD601A	BU detection(Momentary power down detection)	ON when the base goes "Hi" during BU applied.
Q14	2SC2412Kor2SD601A	ACC detection	ON when the base goes "Hi" during ACC applied.
Q15	2SA1036K	SW 5V	ON when the base goes "Lo".
Q16	2SB1277(Q,R)	P-ANT SW	Q16 is turned ON when Q17's base goes "Hi". ON during FM/AM reception
Q17	DTC114YKorUN2214		
Q18	2SB1277(Q,R)	P-CON SW	Q18 is turned ON when Q21's base goes "Hi". ON while power is on or CD loading/eject.
Q21	DTC114YKorUN2214		
Q19	2SB709A	P-CON protection	Protect Q18 by turning ON when P-CON output is grounded.
Q20	DTA124EKorUN2112orKRA103S		Prevents Q19 tuning ON during start-up after power ON.
Q23	DTA124EKorUN2112orKRA103S	Mute driver for Audio mute SW	ON when the base goes "Lo".
Q24	DTC144EKorUN2213orKRC104S	E-VOL. mute SW	E-VOL. is muted when the base goes "Hi".
Q25	DTC114YKorUN2214	SVR SW	POWER IC RESET is activated when the base goes "Hi".
Q28	DTC143TKorUN2216	Audio mute SW	Audio pre-outs are muted when the base goes "Hi".
Q29	DTC143TKorUN2216		
Q30	2SB1277(Q,R)	FM+B SW	Q30 is turned ON when Q31's base goes "Hi". ON during FM reception
Q31	DTC124EKorUN2212		
Q32	2SB1277(Q,R)	AM+B SW	Q32 is turned ON when Q33's base goes "Hi". ON during AM reception
Q33	DTC124EKorUN2212		
Q40	DTA144EKorUN2113	RESET SW	Audio mute is activated when the panel reset SW is pushed.

COMPONENT DESCRIPTION

●CD PLAYER UNIT(X32-4700-00)

Ref.No.	Component Name	Application/Function	Operation/Condition/Compatibility
IC1	AN8806SB	RF amplifier	Generation of RF signal based on the signals from the APC circuit and pickup, and generation of servo error(focusing error and tracking error) signals. Detection of dropout, anti-shock, track crossing and off-track conditions.
IC2	MN662774KC3	CD signal processor built-in MI-COM.	Focusing, tracking, sled and spindle servo processing. Automatic adjustment(focusing, tracking, gain, offset and balance) operations. Digital signal processing(DSP, PLL, sub-codes, CIRC error correction, audio data interpolation) operations.
IC4	BA5917AFP	BTL driver	Focusing coil, tracking coil, spindle motor and sled motor driver
IC5	TA78L05F	5V AVR	
IC6	NJM4565MD	Active filter	Low pass filter
Q1	2SB1188	APC	LD power control
Q2	DTC124EUA	P ON SW	Q3 and Q4 are turned ON when Q2's base goes "Hi" during the source selected CD.
Q3	2SA1362(Y)	A.8V SW	A8V line ON/OFF control ON, when the base goes "Lo".
Q4	2SA1362(Y)	D.5V SW	D5V line ON/OFF control ON, when the base goes "Lo".
Q5	DTC124EUA	MOTOR SW	Q4 is turned ON when Q5's base goes "Hi" during CD loading or eject.
Q8	DTC124EUA	GAIN CONTROL SW	

KDC-1016/115S

MICRO COMPUTER'S DESCRIPTION

●Terminal Description

Pin No.	Pin Name	I/O	Description	Processing Operation
1	C1	I		Not used(N.C.)
2	VL1	I	LCD power supply input terminal	
3	KI0	I	Key return input	
4	KI1	I	Key return input	
5	KI2	I	Key return input	
6	KS0	O	Key scan output	
7	KS1	O	Key scan output	
8	KS2	O	Key scan output	
9	KS3	O	Key scan output	
10	S METER	I	S-meter input from the front end	
11	KS4	O	Key scan output	
12	BEEP	O	BEEP sound output	
13	(NC)	O		Not used(N.C.)
14	(NC)	O		Not used(N.C.)
15	SW3	I	Down & limit switch detection input	"Hi": Chucking / "Lo": Pickup most inner position
16	LO/EJ	I/O	CD mecha.Loading/Eject switching output	"Lo": Loading / "Hi": Eject / "Hi-Z": Stop
17	KI3	I	Key return input	
18	$\overline{M RST}$	O	Reset output to the MICOM. of CD mecha.	"Lo": Reset
19	M CLK	I/O	Clock input/output with the MICOM. of CD mecha.	
20	SW2	I	12cm disc detection terminal	When the 12cm disc was detected, the input becomes "Lo" temporarily.
21	MO SW	O	CD mechanism loading motor control output	"Hi": Loading & Eject / "Lo": other
22	$\overline{M STOP}$	O	Stop request to the MICOM. of CD mecha.	"Lo": Stop
23	$\overline{M MUTE}$	I	Muting request from the MICOM. of CD mecha.	"Lo": Mute request
24	SW1	I	Loading detection	"Lo": CD chucking
25	M DATA	I/O	Data input/output with the MICOM. of CD mecha.	
26	SD	I	SD input from the front end	"Hi": Station detected
27	PLL CLK	O	Clock output to the front end	
28	PLL DATA	I/O	Data input/output with the front end	
29	(NC)	I		Not used(N.C.)
30	AM+B	O	AM+B control	"Hi": during AM reception
31	FM+B	O	FM+B control	"Hi": during FM reception
32	SCK	O	Clock output to the E-VOL. IC	
33	SDA	I/O	Data input/output with the E-VOL. IC	
34	(NC)	O		Not used(Pull down to GND)
35	\overline{RESET}	I	Reset input terminal	"Lo": System reset
36	(NC)	O		Not used(N.C.)
37	(NC)	O		Not used(N.C.)
38	XIN	-	Main clock resonator connection terminal	
39	XOUT	-	Main clock resonator connection terminal	
40	VSS	-	Ground connection terminal	connected to GND
41	IC2 TYPE 1	I	IC2 setting terminal	"Lo": Initial value
42	IC2 TYPE 2	I	IC2 setting terminal	"Lo": Initial value

KDC-1016/115S

MICRO COMPUTER'S DESCRIPTION

Pin No.	Pin Name	I/O	Description	Processing Operation
43	(NC)	O		Not used(N.C.)
44	SEL 1	I	Destination type input terminal 1	Pull down to GND
45	SEL 2	I	Destination type input terminal 2	KDC-115S : Pull down to GND KDC-1016 : Pull up to BU 5V
46	MUTE	O	Mute control output	"Hi": Mute ON / "Lo": Mute OFF
47	STBY	O	Power IC standby control output	"Hi": POWER ON mode
48	SVR	O	Power IC reset terminal	When the momentary power down ,after ACC OFF/ON is detected and after POWER OFF ,the output goes "Hi" temporarily.
49	ACC DET	I	ACC detection input	"Hi": ACC OFF / "Lo": ACC ON
50	BU DET	I	Momentary power down detection input	"Hi": When momentary power down detected or BU OFF / "Lo": BU ON
51	P MUTE	O	Power IC mute control	"Lo": Mute
52	ANT CON	O	Antenna control	"Hi": during FM/AM reception
53	P CON	O	Power control	"Hi": POWER ON mode except ALL OFF mode
54	ILL ON	O	Illumination AVR ON/OFF control output	"Hi": POWER ON mode
55	(NC)	O		Not used(N.C.)
56	SW5	O	SW 5V control	"Lo": POWER ON mode, CD Loading/Eject
57	(NC)	O		Not used(N.C.)
58	(NC)	O		Not used(N.C.)
59	(NC)	O		Not used(N.C.)
60	(NC)	O		Not used(N.C.)
61	(NC)	O		Not used(N.C.)
62	(NC)	O		Not used(N.C.)
63	(NC)	O		Not used(N.C.)
64	(NC)	O		Not used(N.C.)
65	(NC)	O		Not used(N.C.)
66	(NC)	O		Not used(N.C.)
67	(NC)	O		Not used(N.C.)
68	(NC)	O		Not used(N.C.)
69	SEG22	O	LCD segment output terminal	
70	SEG21	O	LCD segment output terminal	
71	SEG20	O	LCD segment output terminal	
72	SEG19	O	LCD segment output terminal	
73	SEG18	O	LCD segment output terminal	
74	SEG17	O	LCD segment output terminal	
75	SEG16	O	LCD segment output terminal	
76	SEG15	O	LCD segment output terminal	
77	SEG14	O	LCD segment output terminal	
78	SEG13	O	LCD segment output terminal	
79	SEG12	O	LCD segment output terminal	
80	SEG11	O	LCD segment output terminal	
81	SEG10	O	LCD segment output terminal	

KDC-1016/115S

MICRO COMPUTER'S DESCRIPTION

Pin No.	Pin Name	I/O	Description	Processing Operation
82	SEG9	O	LCD segment output terminal	
83	SEG8	O	LCD segment output terminal	
84	SEG7	O	LCD segment output terminal	
85	SEG6	O	LCD segment output terminal	
86	SEG5	O	LCD segment output terminal	
87	SEG4	O	LCD segment output terminal	
88	SEG3	O	LCD segment output terminal	
89	SEG2	O	LCD segment output terminal	
90	SEG1	O	LCD segment output terminal	
91	VCC	-	VDD connection terminal	connected to BU 5V lines
92	VREF	-	A/D converter reference voltage input terminal	connected to BU 5V lines
93	AVSS	-	Ground connection terminal	connected to GND
94	(NC)	O		Not used(N.C.)
95	COM3	O	LCD common output terminal	
96	COM2	O	LCD common output terminal	
97	COM1	O	LCD common output terminal	
98	VL3	I	LCD power supply input terminal	
99	VL2	I	LCD power supply input terminal	
100	C2	I		Not used(N.C.)

ADJUSTMENT

TEST MODE

1. To enter test mode

While holding the "Track Down" key and preset "6" key, reset the unit.
All indication segments are ON at the beginning of test mode.

2. To release test mode

Simply reset the unit.
(NOTE) The test mode is not canceled by ACC OFF, power OFF, momentary power down.

3. CD receiver test mode specification

Pressing the "Track Up" key jumps between tracks in the following order.
No.9→No.15→No.10→No.11→No.12→No.13→No.14→No.9 (Same as the beginning)
Pressing the "Track down" key jumps to the previous track to the being played.
Pressing the preset "1" key jumps to No.28 track.

4. Audio adjustment

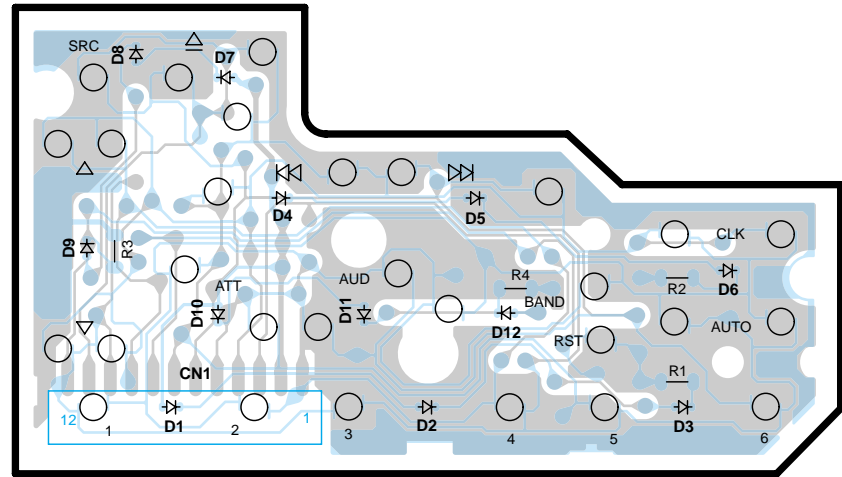
The volume is set to the shown as 22 at KDC-115S.
The volume is set to the shown as 30 at KDC-1016.
Loudness is OFF.
The BASS / TREBLE and BALANCE / FADER controls can be set to the full boost / full cut and full front / full rear respectively by pressing the "Track Up" / "Track Down" keys.
Sound coordination doesn't appear for the Audio mode feed.

5. The inspection function of LCD

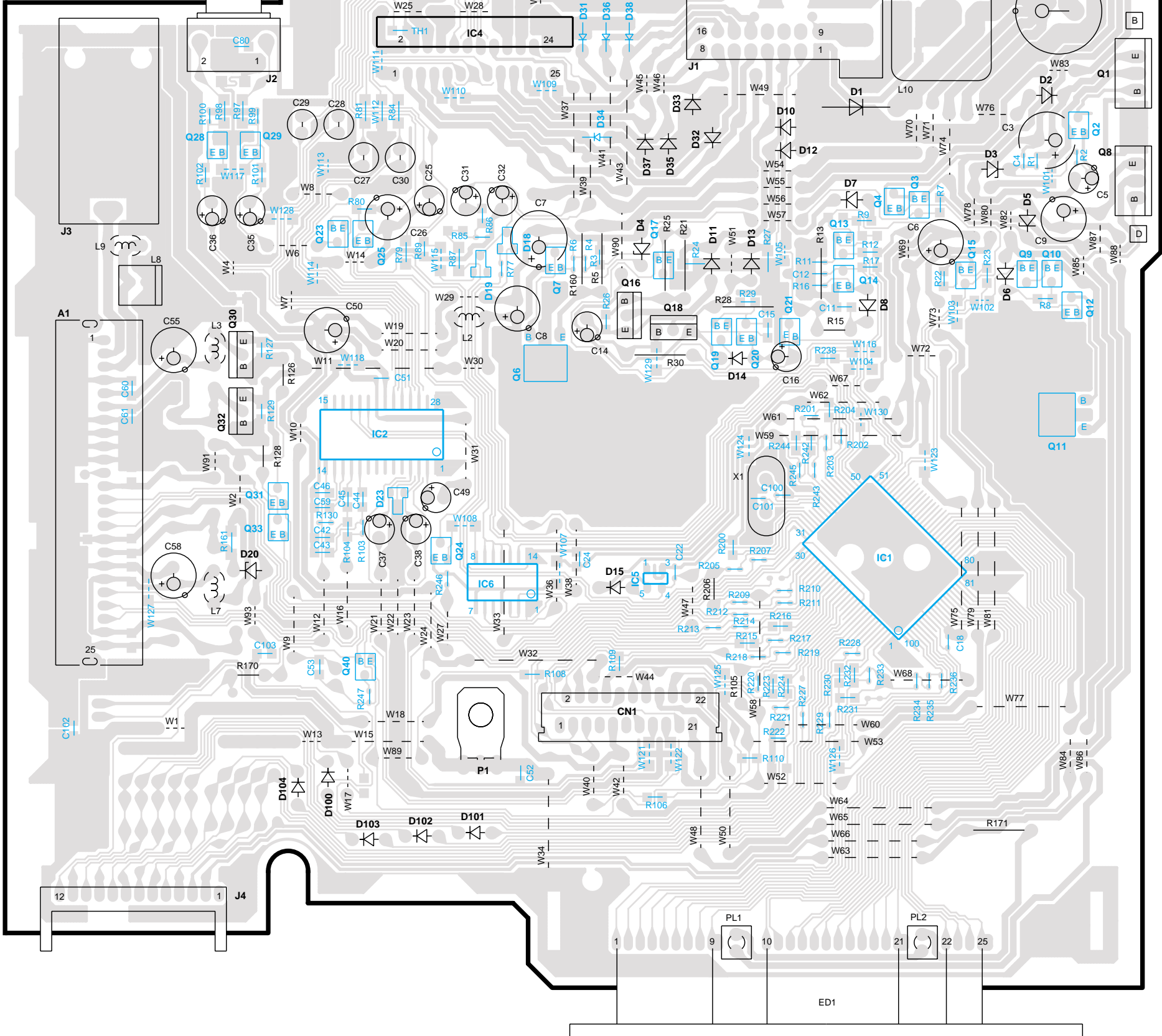
When all indication segments are ON ,the segments can be set to the following order respectively by pressing the "Track Up" key / "Track Down" keys.
All indication segments⇔Odd segments(Common 1 part)⇔Even segments(Common 2 part)⇔Odd segments(Common 3 part)⇔All indication segments.

PC BOARD (COMPONENT SIDE VIEW)

X13-9660-10 (J74-0964-12)



X25-8420-XX (J74-0961-12)

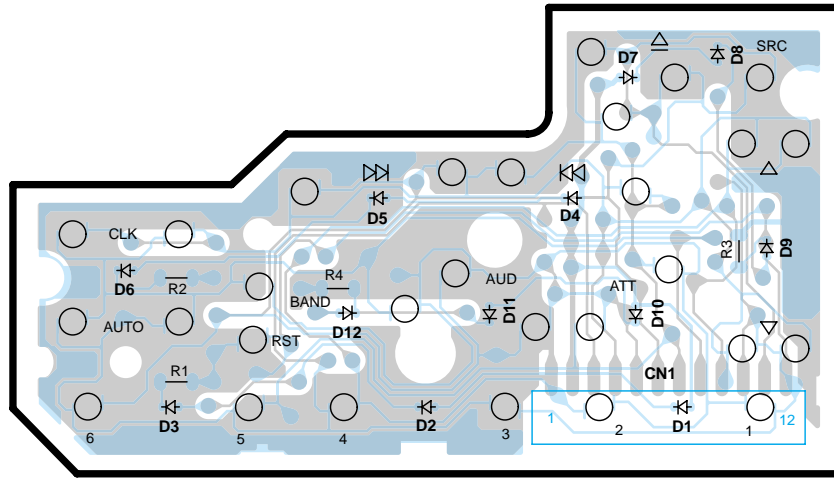


IC	Q	address
1		5I
2		4F
4		2F
5		5G
6		5G
	1	2J
	2	2J
	3	3I
	4	3I
	6	3G
	7	3G
	8	3J
	9	3I
	10	3J
	11	4J
	12	3J
	13	3H
	14	3H
	15	3I
	16	3G
	17	3H
	18	3H
	19	3H
	20	3H
	21	3H
	23	3F
	24	4F
	25	3F
	28	2E
	29	2E
	30	3E
	31	4E
	32	4E
	33	4E
	40	5F

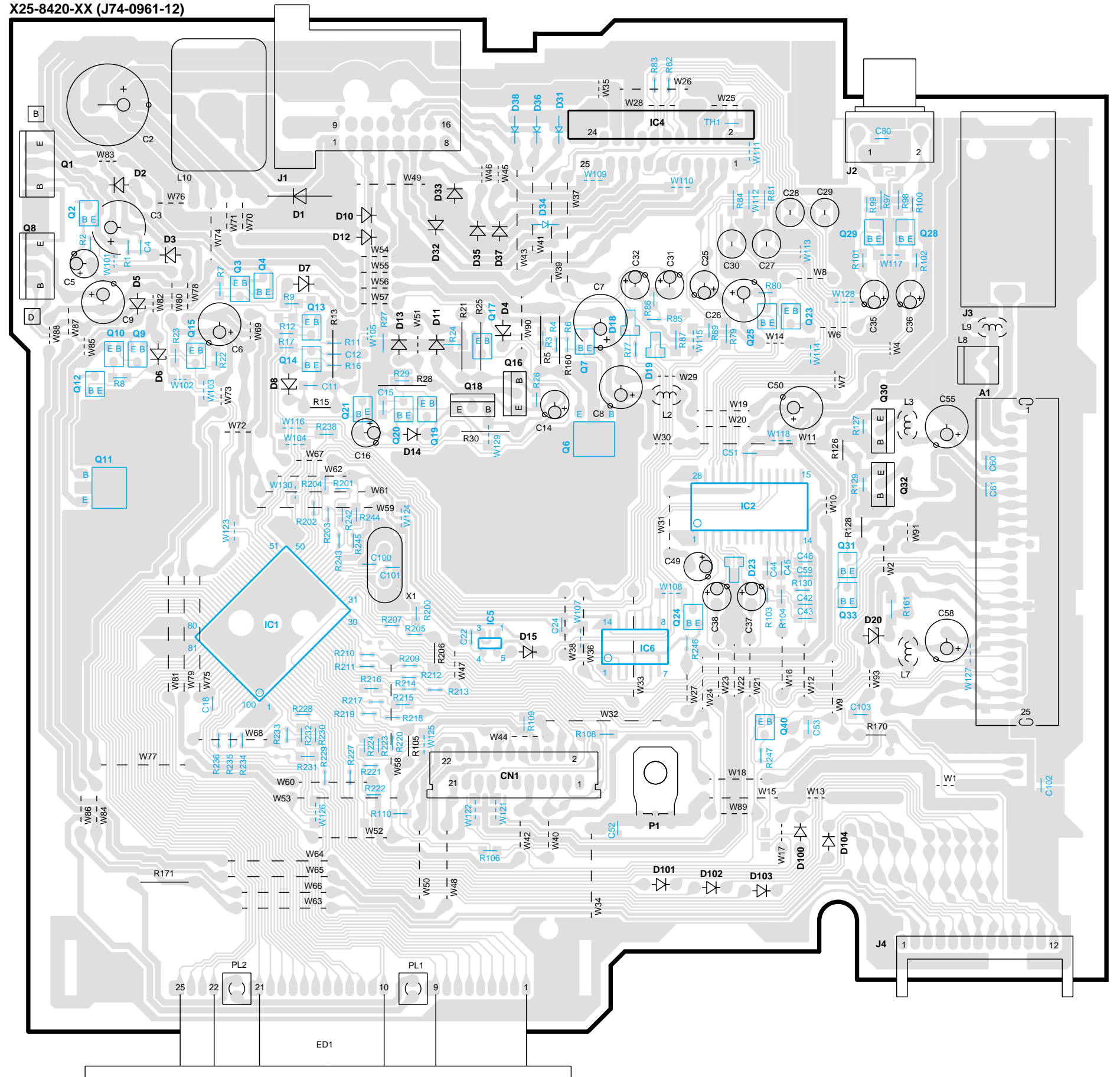
Refer to the schematic diagram for the values of resistors and capacitors.

PC BOARD (FOIL SIDE VIEW)

X13-9660-10 (J74-0964-12)



X25-8420-XX (J74-0961-12)

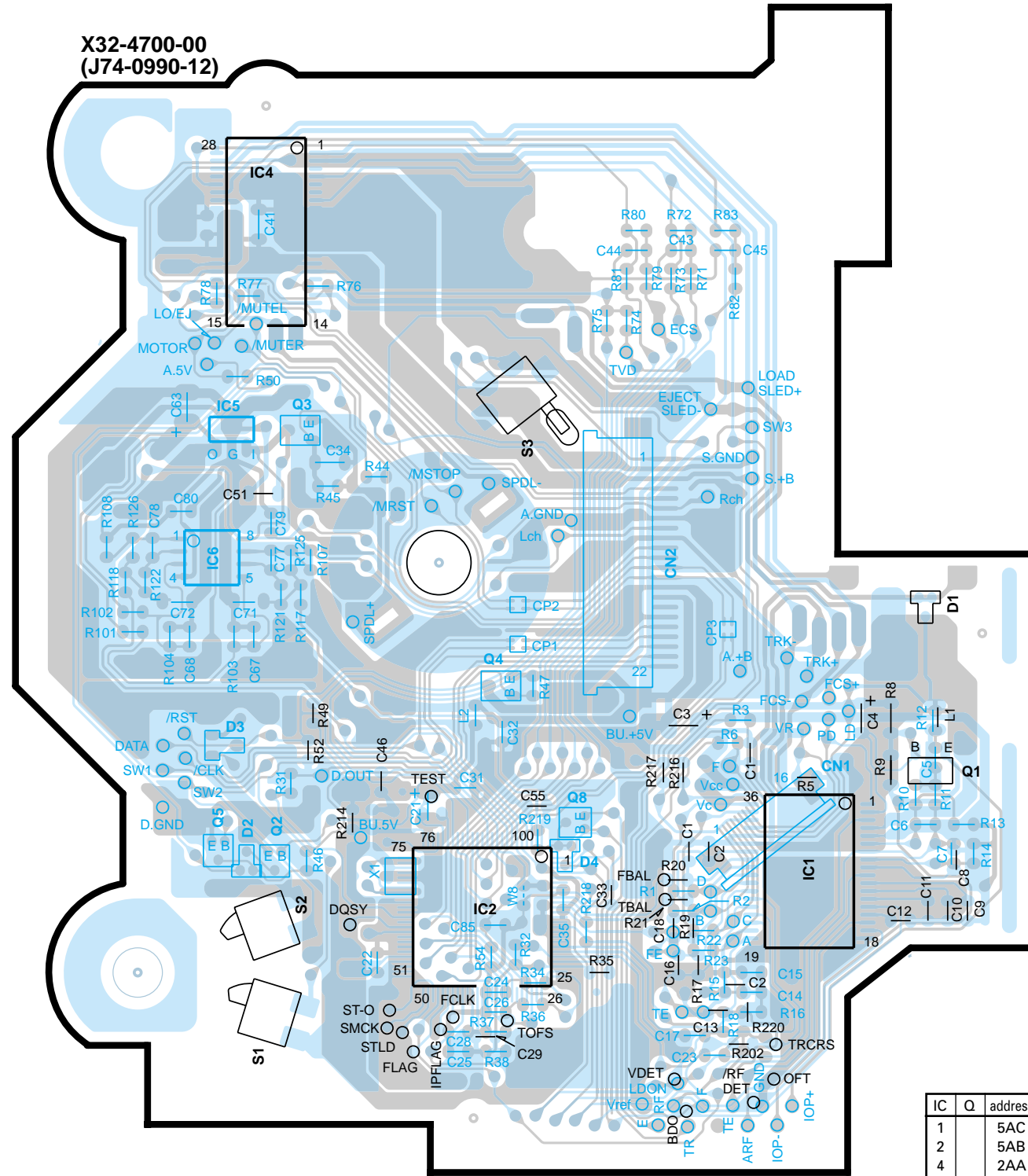
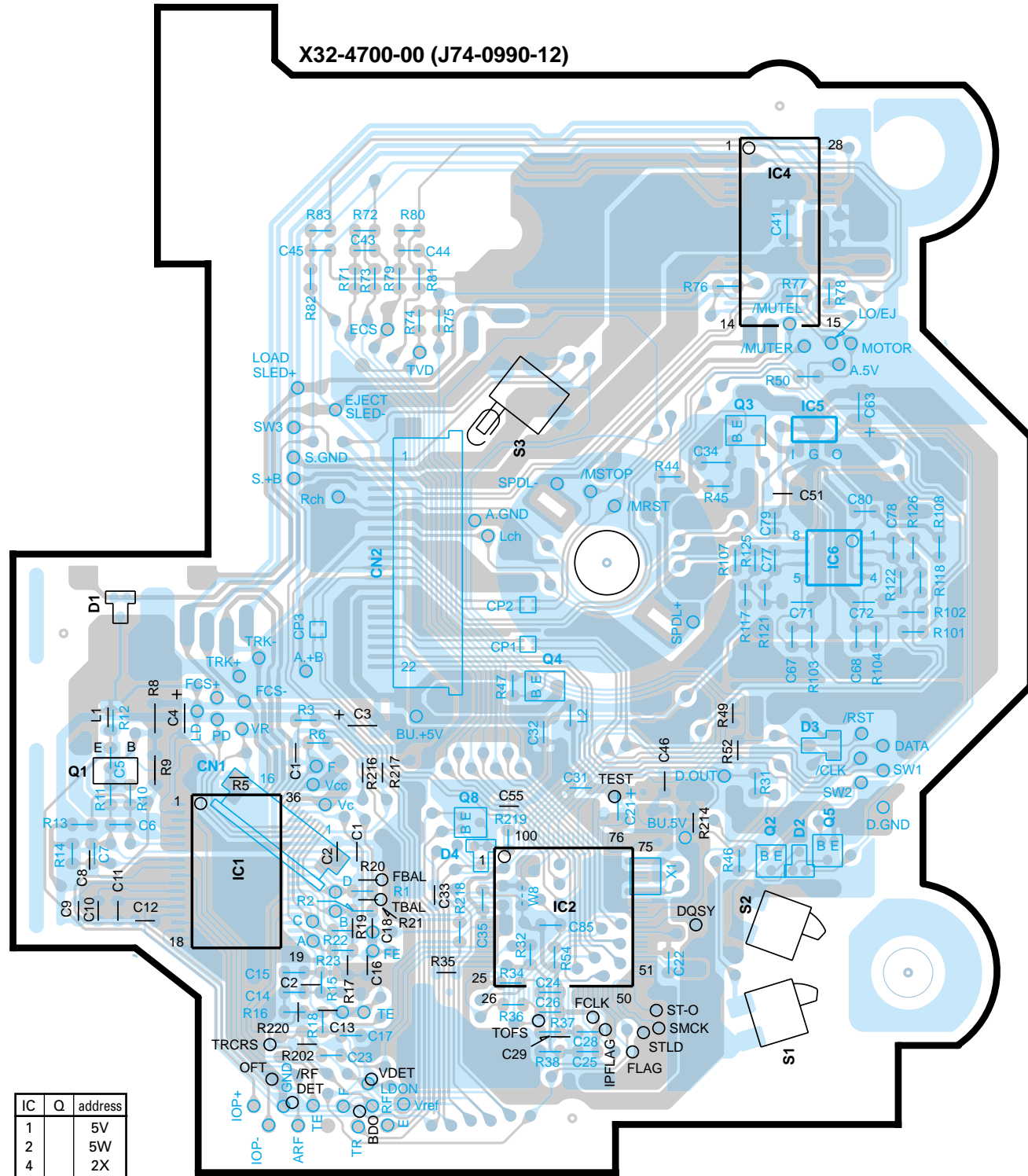


IC	Q	address
1		5P
2		4R
3		2R
4		5Q
5		5R
6		
1		2N
2		2O
3		3P
4		3P
6		3R
7		3Q
8		3N
9		3O
10		3O
11		4O
12		3O
13		3P
14		3P
15		3O
16		3Q
17		3Q
18		3Q
19		3Q
20		3P
21		3P
23		3S
24		4R
25		3S
28		2S
29		2S
30		3S
31		4S
32		4S
33		4S
40		5S

Refer to the schematic diagram for the values of resistors and capacitors.

PC BOARD (COMPONENT SIDE VIEW)

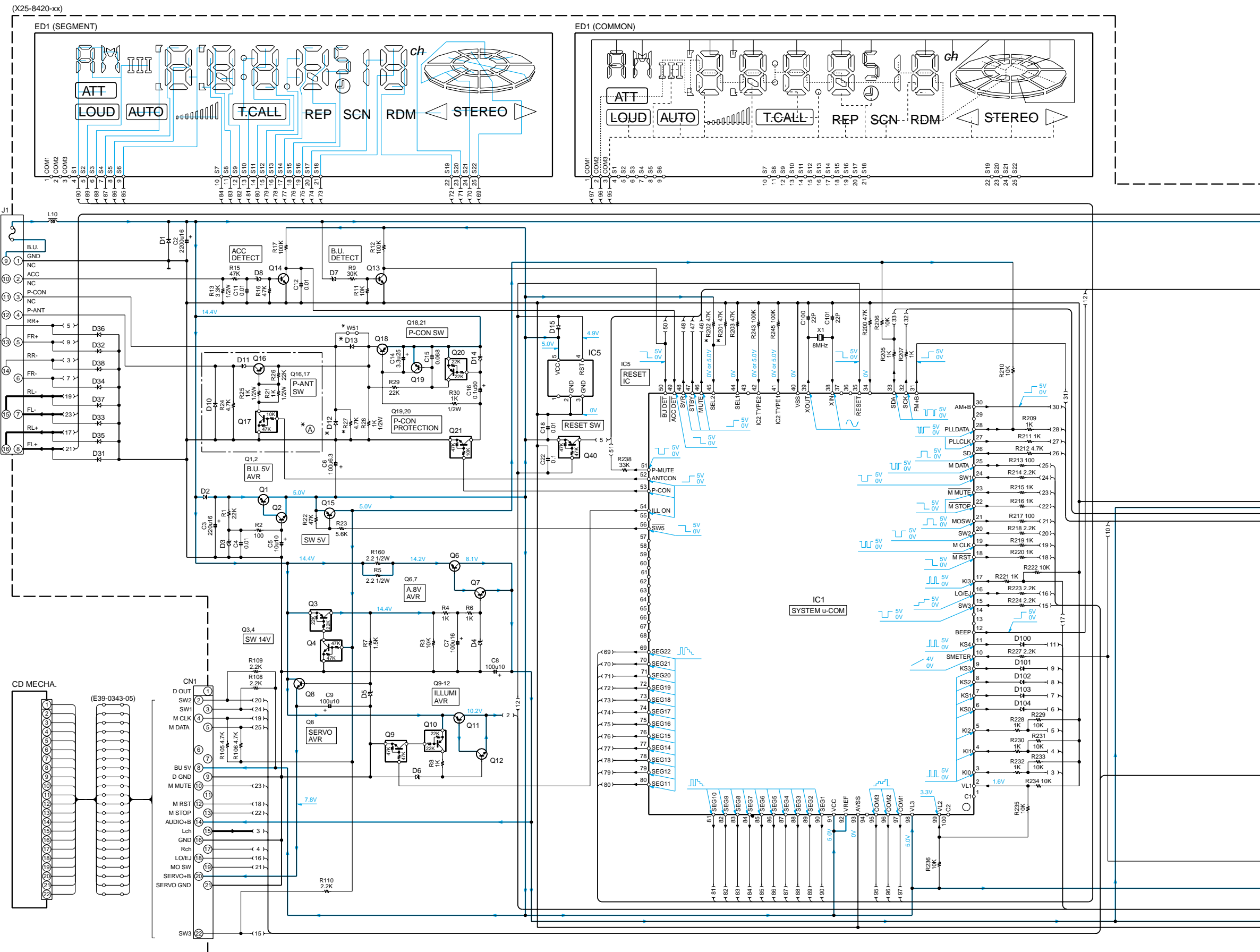
PC BOARD (FOIL SIDE VIEW)



IC	Q	address
1		5V
2		5W
4		2X
5		3X
6		4Y
	1	5U
	2	5X
	3	3X
	4	4W
	5	5X
	8	5W

IC	Q	address
1		5AC
2		5AB
4		2AA
5		3AA
6		4AA
		5AD
	1	5AA
	2	5AA
	3	3AA
	4	4AB
	5	5AA
	8	5AB

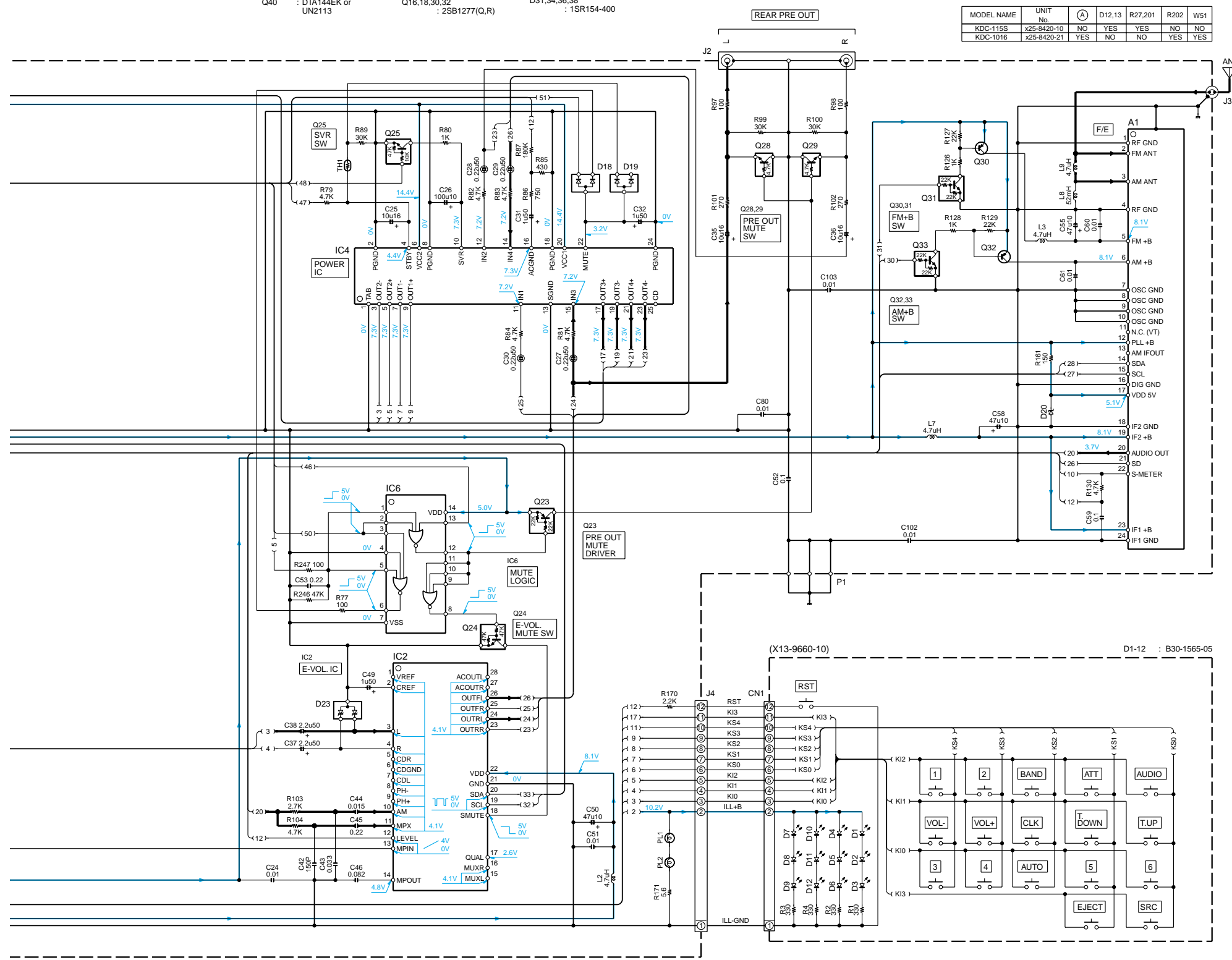
Refer to the schematic diagram for the values of resistors and capacitors.



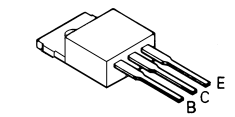
- IC1 : M38258MCD067FP
- IC2 : TDA7400D
- IC4 : TDA7386
- IC5 : PST913SNR
- IC6 : HD74HC27FP
- Q17,21,25 : DTC114YK or UN2214
- Q19 : 2SB709A
- Q28,29 : UN2216 or DTC143TK
- Q31,33 : DTC124EK or UN2212
- Q40 : DTA144EK or UN2113
- Q1 : 2SB1655(E,F) or 2SB1565(E,F)
- Q2,7,12-14 : 2SD601A or 2SC2412K
- Q3,10,20,23 : UN2112 or DTA124EK or KRA103S
- Q4,9,24 : UN2213 or DTC144EK or KRC104S
- Q6,11 : 2SB1184
- Q8 : 2SD2396
- Q15 : 2SA1036K
- Q16,18,30,32 : 2SB1277(Q,R)
- D1 : S2V20 *A
- D2,10-13,32,33,35,37 : AN102 or ERA115-01
- D3 : MA4056(N)-M
- D4 : MA4091(N)-L
- D5 : MA4082(N)-L
- D6 : MA4110-L
- D7 : MA4068(N)-M
- D8,20 : MA4051(N)-M
- D14,15,100-104 : 1SS133
- D18,19 : MA152WA or DAP202K or KDS181
- D23 : RD6.8MW
- D31,34,36,38 : 1SR154-400



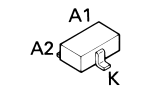
MODEL NAME	UNIT No.	(A)	D12,13	R27,201	R202	WS1
KDC-115S	x25-8420-10	NO	YES	YES	NO	NO
KDC-1016	x25-8420-21	YES	NO	NO	YES	YES



2SB1565
2SD2396



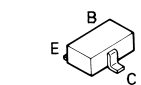
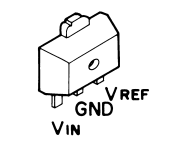
DAN202U



DTA124EK
DTC114YK
DTC143TK
2SA1036K
2SB709A

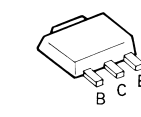
DTA144EK
DTC124EK
DTC144EK
2SA1362
2SC2412K

TA78L05F



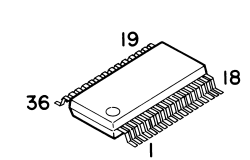
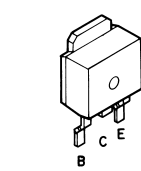
2SB1188

DAP202K
DA204K

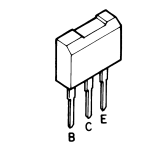


2SB1184

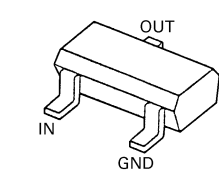
AN8806SB



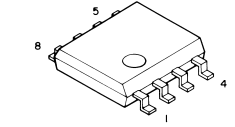
2SB1277



DTC124EUA
KRC104S



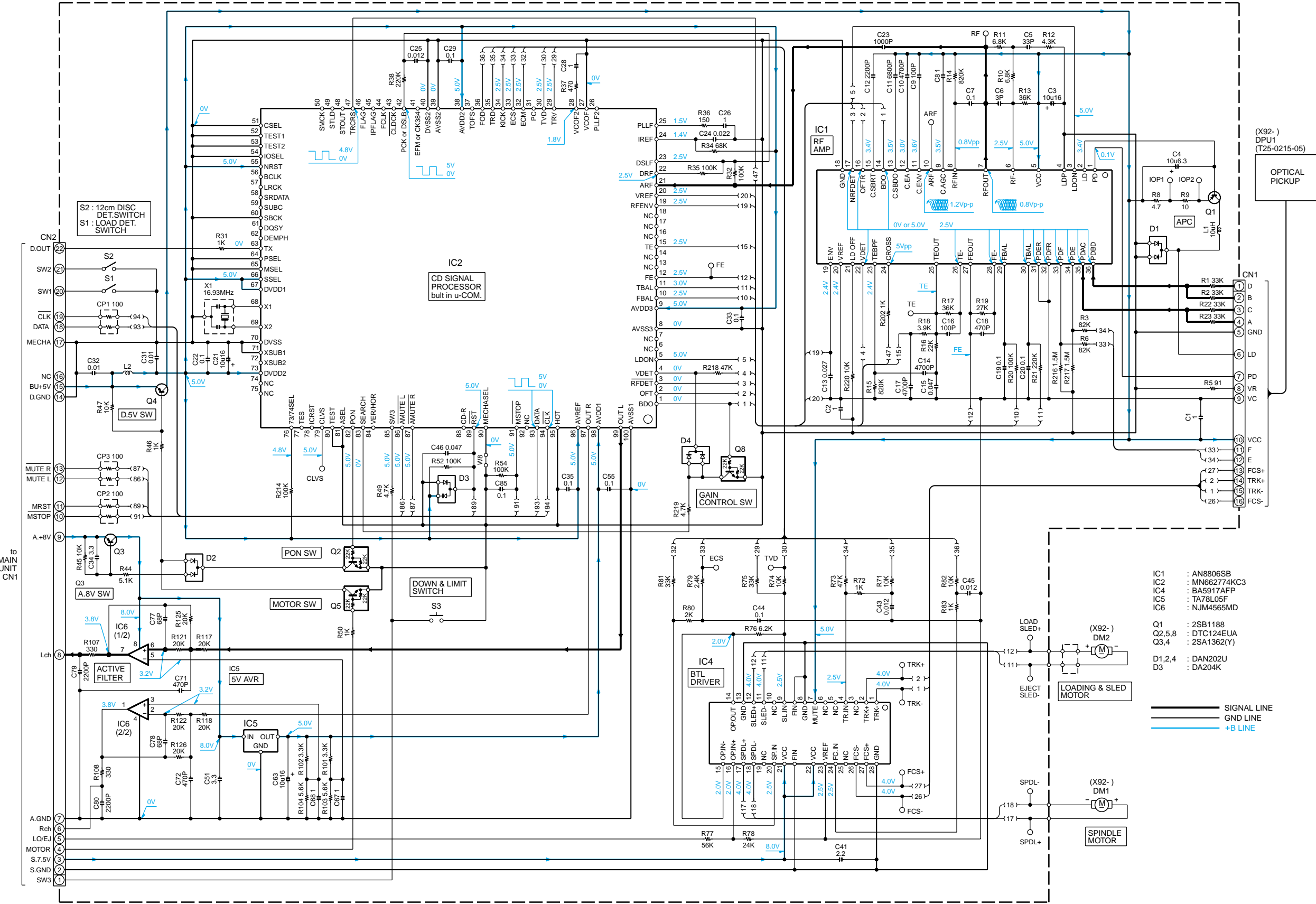
NJM4565MD



KDC-1016/115S

KENWOOD

X32-4700-00 : (DXM-1040)



- IC1 : AN8806SB
- IC2 : MN662774KC3
- IC3 : BA5917AFP
- IC4 : TA78L05F
- IC5 : NJM4565MD
- IC6 : (2/2)

- Q1 : 2SB1188
- Q2,5,8 : DTC124EUA
- Q3,4 : 2SA1362(Y)
- D1,2,4 : DAN202U
- D3 : DA204K

— SIGNAL LINE
 — GND LINE
 — +B LINE

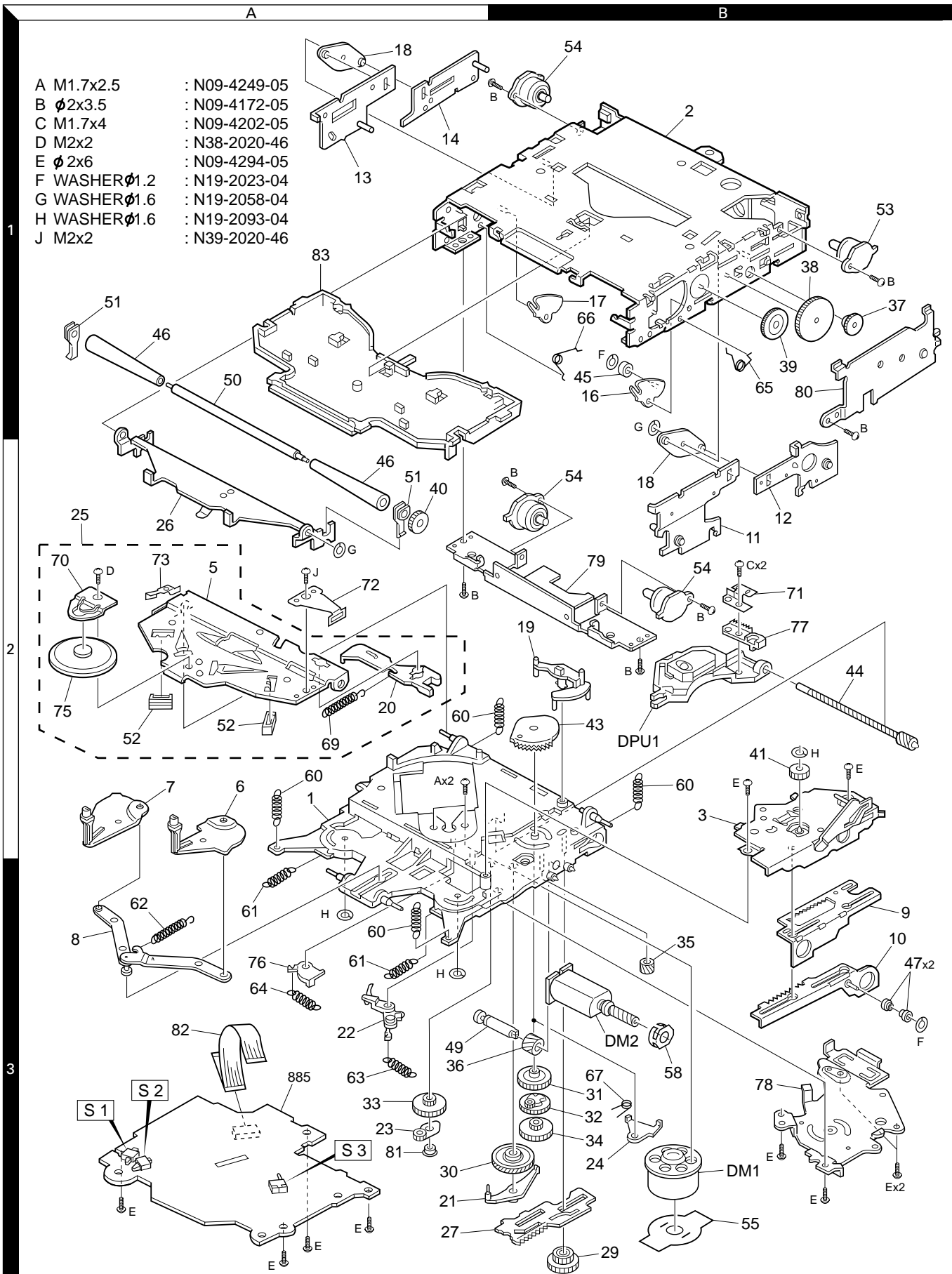
CAUTION: For continued safety, replace safety critical components only with manufacturer's recommended parts (refer to parts list).
 ⚠ Indicates safety critical components. To reduce the risk of electric shock, leakage-current or resistance measurements shall be carried out (exposed parts are acceptably insulated from the supply circuit) before the appliance is returned to the customer.
 • DC voltages are as measured with a high impedance voltmeter. Values may vary slightly due to variations between individual instruments or/and units.

KDC-1016/115S
 KENWOOD

KDC-1016/115S

EXPLODED VIEW (MECHANISM)

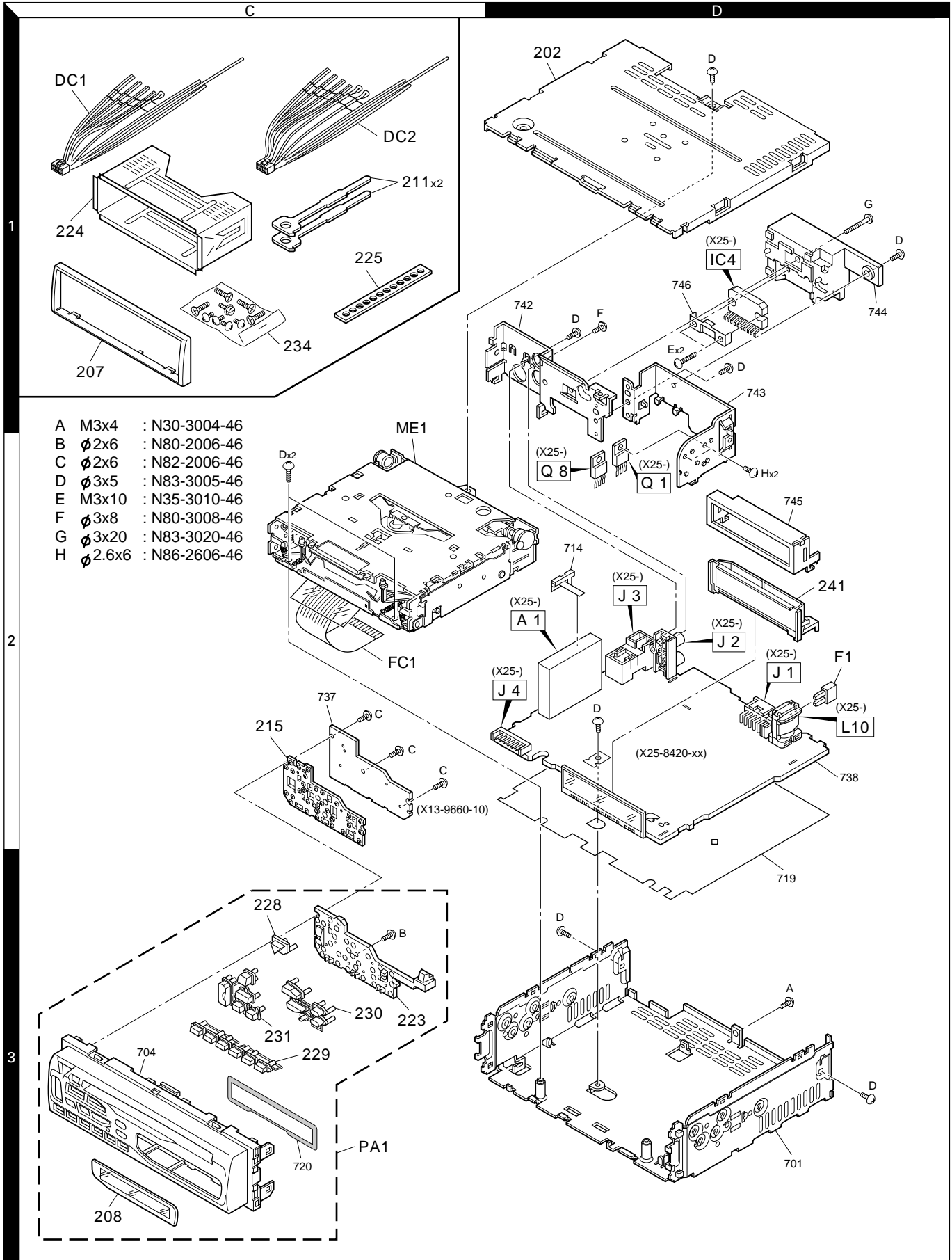
- | | | | |
|---|------------|---|-------------|
| A | M1.7x2.5 | : | N09-4249-05 |
| B | ∅2x3.5 | : | N09-4172-05 |
| C | M1.7x4 | : | N09-4202-05 |
| D | M2x2 | : | N38-2020-46 |
| E | ∅2x6 | : | N09-4294-05 |
| F | WASHER∅1.2 | : | N19-2023-04 |
| G | WASHER∅1.6 | : | N19-2058-04 |
| H | WASHER∅1.6 | : | N19-2093-04 |
| J | M2x2 | : | N39-2020-46 |



Parts with the exploded numbers larger than 700 are not supplied.

KDC-1016/115S

EXPLODED VIEW (UNIT)



22 Parts with the exploded numbers larger than 700 are not supplied.

KDC-1016/115S

PARTS LIST

*New Parts

Parts without **Parts No.** are not supplied.

Les articles non mentionnes dans le **Parts No.** ne sont pas fournis.

Teile ohne **Parts No.** werden nicht geliefert.

Ref. No.	Add	New	Parts No.	Description	Destination
KDC-1016/115S					
202	1D	*	A52-0757-02	TOP PLATE	
PA1	3C	*	A64-1938-02	PANEL ASSY	K
PA1	3C	*	A64-1939-02	PANEL ASSY	M1
207	1C		B07-2181-02	ESCUTCHEON	
208	3C	*	B10-3146-03	FRONT GLASS	
-			B46-0100-50	WARRANTY CARD	
-			B58-1344-04	CAUTION CARD	K
-		*	B64-1543-00	INST.MANUAL (ENG,FRE,SPA,POR)	K
-		*	B64-1544-00	INST.MANUAL (ENG,CHI)	M1
-		*	B64-1592-00	INST.MANUAL (ARABIC)	M1
211	1C		D10-3031-04	LEVER	
215	2C	*	E29-1801-03	CONDUCTIVE RUBBER	
△ DC1	1C		E30-4783-05	DC CORD	K
△ DC2	1C		E30-4784-05	DC CORD	M1
FC1	2C	*	E39-0343-05	FLAT CABLE	
△ F1	2D		F52-0006-05	FUSE(MINI BLADE TYPE) (10A)	
△ F1	2D		F52-0011-05	FUSE(MINI BLADE TYPE) (10A)	
-		*	H10-4690-12	POLYSTYRENE FOAMED FIXTURE	
-			H25-0329-04	PROTECTION BAG (280X450X0.03)	
-			H25-0337-04	PROTECTION BAG (180X300X0.03)	
-		*	H54-1616-03	ITEM CARTON CASE	K
-		*	H54-1618-03	ITEM CARTON CASE	M1
223	3C	*	J19-4984-02	HOLDER	
224	1C		J21-9491-03	MOUNTING HARDWARE ASSY	
225	1C		J54-0606-04	STAY	
228	3C	*	K24-3548-04	KNOB (SRC)	
229	3C	*	K25-1104-03	KNOB (PRESET1-6)	
230	3C	*	K25-1105-03	KNOB (BAND,UP,CLK,AUTO,RES)	
231	3C	*	K25-1107-03	KNOB (VOL,ATT,DOWN,EJECT)	
234	1C		N99-1632-05	SCREW SET	
A	3D		N30-3004-46	PAN HEAD MACHINE SCREW	
B	3C		N80-2006-46	PAN HEAD TAPTITE SCREW	
C	2C		N82-2006-46	BINDING HEAD TAPTITE SCREW	
D	2C		N83-3005-46	PAN HEAD TAPTITE SCREW	
ME1	1C	*	X92-3690-00	CD MECHANISM ASSY	
SWITCH UNIT (X13-9660-10)					
D1 -12			B30-1565-05	LED(1608,PG)	
CN1			E40-9453-05	SOCKET FOR PIN ASSY (12P)	
R1 -4			RK73EB2B331J	CHIP R 330 J 1/8W	
ELECTRIC UNIT (X25-8420-XX)					
241	2D	*	A33-0621-12	REFLECTOR	
ED1		*	B38-1023-05	LIQUID CRYSTAL	
PL1 ,2			B30-1418-15	LAMP (5.5V 125MA,GR)	
C2			C90-5235-05	ELECTRO 2200UF 16WV	
C3			C90-2926-05	ELECTRO 220UF 16WV	
C4			CK73GB1H103K	CHIP C 0.010UF K	
C5			C90-2594-05	ELECTRO 10UF 10WV	

Ref. No.	Add	New	Parts No.	Description	Destination
C6			CE04CW0J101M	ELECTRO 100UF 6.3WV	
C7			CE04CW1C101M	ELECTRO 100UF 16WV	
C8 ,9			CE04CW1A101M	ELECTRO 100UF 10WV	
C11			CK73FB1H103K	CHIP C 0.010UF K	
C12			CK73GB1H103K	CHIP C 0.010UF K	
C14			C90-2598-05	ELECTRO 3.3UF 25WV	
C15			CK73FB1E683K	CHIP C 0.068UF K	
C16			C90-2602-05	ELECTRO 0.10UF 50WV	
C18			CK73GB1H103K	CHIP C 0.010UF K	
C22			CK73GB1C104K	CHIP C 0.10UF K	
C24			CK73FB1H103K	CHIP C 0.010UF K	
C25			C90-2597-05	ELECTRO 10UF 16WV	
C26			CE04CW1A101M	ELECTRO 100UF 10WV	
C27 -30			C90-5296-05	ELECTRO 0.22UF 50WV	
C31			C90-2935-05	ELECTRO 1.0UF 50WV	
C32			C90-2608-05	ELECTRO 1.0UF 50WV	
C35 ,36			C90-2597-05	ELECTRO 10UF 16WV	
C37 ,38			C90-2610-05	ELECTRO 2.2UF 50WV	
C42			CC73FCH1H151J	CHIP C 150PF J	
C43			CK73FB1E333K	CHIP C 0.033UF K	
C44			CK73FB1H153K	CHIP C 0.015UF K	
C45			CK73FB1C224K	CHIP C 0.22UF K	
C46			CK73FB1C823K	CHIP C 0.082UF K	
C49			C90-2608-05	ELECTRO 1.0UF 50WV	
C50			CE04CW1A470M	ELECTRO 47UF 10WV	
C51			CK73GB1H103K	CHIP C 0.010UF K	
C52			CK73FB1C104K	CHIP C 0.10UF K	
C53			CK73FB1C224K	CHIP C 0.22UF K	
C55			CE04CW1A470M	ELECTRO 47UF 10WV	
C58			CE04CW1A470M	ELECTRO 47UF 10WV	
C59			CK73FB1C104K	CHIP C 0.10UF K	
C60 ,61			CK73FB1H103K	CHIP C 0.010UF K	
C80			CK73FB1H103K	CHIP C 0.010UF K	
C100,101			CC73GCH1H220J	CHIP C 22PF J	
C102,103			CK73FB1H103K	CHIP C 0.010UF K	
△ CN1			E40-9550-05	FLAT CABLE CONNECTOR (22P)	
J1	2D		E58-0863-15	RECTANGULAR RECEPTACLE (16P)	
J2	2D		E63-0852-05	PIN JACK (2P)	
J3	2D		E04-0312-05	RF COAXIAL CABLE RECEPTACLE	
J4	2D		E40-9452-05	PIN ASSY (12P)	
L2 ,3			L40-4795-91	SMALL FIXED INDUCTOR(4.7UH,J)	
L7			L40-4795-91	SMALL FIXED INDUCTOR(4.7UH,J)	
L8			L33-1123-05	LINE FILTER COIL	
L9			L40-4795-91	SMALL FIXED INDUCTOR(4.7UH,J)	
△ L10	2D	*	L33-1142-05	CHOKO COIL	
X1			L77-2032-05	CRYSTAL RESONATOR (8.0MHZ)	
D	1D		N83-3005-46	PAN HEAD TAPTITE SCREW	
E	1D		N35-3010-46	BINDING HEAD MACHINE SCREW	
F	1D		N80-3008-46	PAN HEAD TAPTITE SCREW	
G	1D		N83-3020-46	PAN HEAD TAPTITE SCREW	
H	2D		N86-2606-46	BINDING HEAD TAPTITE SCREW	
R1			RK73GB1J223J	CHIP R 22K J 1/16W	
R2			RK73GB1J101J	CHIP R 100 J 1/16W	
R3			RK73FB2A103J	CHIP R 10K J 1/10W	

K:KDC-115S M1:KDC-1016

△ indicates safety critical components. 23

KDC-1016/115S

PARTS LIST

*New Parts

Parts without **Parts No.** are not supplied.

Les articles non mentionnés dans le **Parts No.** ne sont pas fournis.

Teile ohne **Parts No.** werden nicht geliefert.

ELECTRIC UNIT (X25-8420-XX)

Ref. No.	Add	New	Parts No.	Description	Destination
R4			RK73GB1J102J	CHIP R 1.0K J 1/16W	
R5			RD14DB2H2R2J	SMALL-RD 2.2 J 1/2W	
R6			RK73GB1J102J	CHIP R 1.0K J 1/16W	
R7			RK73FB2A152J	CHIP R 1.5K J 1/10W	
R8			RK73FB2A102J	CHIP R 1.0K J 1/10W	
R9			RK73FB2A303J	CHIP R 30K J 1/10W	
R11			RK73GB1J103J	CHIP R 10K J 1/16W	
R12			RK73FB2A104J	CHIP R 100K J 1/10W	
R13			RD14DB2H332J	SMALL-RD 3.3K J 1/2W	
R15			RD14BB2C473J	RD 47K J 1/6W	
R16			RK73GB1J473J	CHIP R 47K J 1/16W	
R17			RK73FB2A104J	CHIP R 100K J 1/10W	
R21			RD14DB2H102J	SMALL-RD 1.0K J 1/2W	M1
R22			RK73FB2A473J	CHIP R 47K J 1/10W	
R23			RK73FB2A562J	CHIP R 5.6K J 1/10W	
R24			RK73EB2B472J	CHIP R 4.7K J 1/8W	M1
R25			RD14DB2H102J	SMALL-RD 1.0K J 1/2W	M1
R26			RK73FB2A223J	CHIP R 22K J 1/10W	M1
R27			RK73EB2B472J	CHIP R 4.7K J 1/8W	K
R28			RD14DB2H102J	SMALL-RD 1.0K J 1/2W	
R29			RK73FB2A223J	CHIP R 22K J 1/10W	
R30			RD14DB2H102J	SMALL-RD 1.0K J 1/2W	
R77			RK73GB1J101J	CHIP R 100 J 1/16W	
R79			RK73EB2B472J	CHIP R 4.7K J 1/8W	
R80			RK73FB2A102J	CHIP R 1.0K J 1/10W	
R81			RK73EB2B472J	CHIP R 4.7K J 1/8W	
R82,83			RK73GB1J472J	CHIP R 4.7K J 1/16W	
R84			RK73EB2B472J	CHIP R 4.7K J 1/8W	
R85			RK73GB1J431J	CHIP R 430 J 1/16W	
R86			RK73FB2A751J	CHIP R 750 J 1/10W	
R87			RK73EB2B184J	CHIP R 180K J 1/8W	
R89			RK73FB2A303J	CHIP R 30K J 1/10W	
R97,98			RK73EB2B101J	CHIP R 100 J 1/8W	
R99,100			RK73GB1J303J	CHIP R 30K J 1/16W	
R101,102			RK73FB2A271J	CHIP R 270 J 1/10W	
R103			RK73GB1J272J	CHIP R 2.7K J 1/16W	
R104			RK73FB2A472J	CHIP R 4.7K J 1/10W	
R105			RD14BB2C472J	RD 4.7K J 1/6W	
R106			RK73FB2A472J	CHIP R 4.7K J 1/10W	
R108-110			RK73FB2A222J	CHIP R 2.2K J 1/10W	
R126			RD14BB2C102J	RD 1.0K J 1/6W	
R127			RK73FB2A223J	CHIP R 22K J 1/10W	
R128			RD14BB2C102J	RD 1.0K J 1/6W	
R129			RK73FB2A223J	CHIP R 22K J 1/10W	
R130			RK73GB1J472J	CHIP R 4.7K J 1/16W	
R160			RD14DB2H2R2J	SMALL-RD 2.2 J 1/2W	
R161			RK73EB2B151J	CHIP R 150 J 1/8W	
R170			RD14BB2C222J	RD 2.2K J 1/6W	
R171			RD14BB2E5R6J	RD 5.6 J 1/4W	
R200			RK73FB2A473J	CHIP R 47K J 1/10W	
R201			RK73GB1J473J	CHIP R 47K J 1/16W	K
R202,203			RK73GB1J473J	CHIP R 47K J 1/16W	M1
R203			RK73GB1J473J	CHIP R 47K J 1/16W	K
R205			RK73GB1J102J	CHIP R 1.0K J 1/16W	
R206			RD14BB2C103J	RD 10K J 1/6W	

Ref. No.	Add	New	Parts No.	Description	Destination
R207			RK73GB1J102J	CHIP R 1.0K J 1/16W	
R209			RK73GB1J102J	CHIP R 1.0K J 1/16W	
R210			RK73GB1J103J	CHIP R 10K J 1/16W	
R211			RK73GB1J102J	CHIP R 1.0K J 1/16W	
R212			RK73GB1J472J	CHIP R 4.7K J 1/16W	
R213			RK73GB1J101J	CHIP R 100 J 1/16W	
R214			RK73GB1J222J	CHIP R 2.2K J 1/16W	
R215,216			RK73FB2A102J	CHIP R 1.0K J 1/10W	
R217			RK73GB1J101J	CHIP R 100 J 1/16W	
R218			RK73GB1J222J	CHIP R 2.2K J 1/16W	
R219-221			RK73GB1J102J	CHIP R 1.0K J 1/16W	
R222			RK73GB1J103J	CHIP R 10K J 1/16W	
R223,224			RK73FB2A222J	CHIP R 2.2K J 1/10W	
R227			RK73GB1J222J	CHIP R 2.2K J 1/16W	
R228			RK73GB1J102J	CHIP R 1.0K J 1/16W	
R229			RK73GB1J103J	CHIP R 10K J 1/16W	
R230			RK73FB2A102J	CHIP R 1.0K J 1/10W	
R231			RK73FB2A103J	CHIP R 10K J 1/10W	
R232			RK73FB2A102J	CHIP R 1.0K J 1/10W	
R233-236			RK73GB1J103J	CHIP R 10K J 1/16W	
R238			RK73FB2A333J	CHIP R 33K J 1/10W	
R243			RK73GB1J104J	CHIP R 100K J 1/16W	
R245			RK73GB1J104J	CHIP R 100K J 1/16W	
R246			RK73GB1J473J	CHIP R 47K J 1/16W	
R247			RK73GB1J101J	CHIP R 100 J 1/16W	
W101,102			R92-2052-05	CHIP R 0 J 1/10W	
W103,104			R92-2053-05	CHIP R 0 J 1/8W	
W105			R92-2052-05	CHIP R 0 J 1/10W	
W107-112			R92-2053-05	CHIP R 0 J 1/8W	
W113			R92-2052-05	CHIP R 0 J 1/10W	
W114-118			R92-2053-05	CHIP R 0 J 1/8W	
W121-129			R92-2053-05	CHIP R 0 J 1/8W	
W130			R92-2052-05	CHIP R 0 J 1/10W	
D1			S2V20ÑA	DIODE	
D2			AM01Z	DIODE	
D2			ERA15-01	DIODE	
D3			MA4056(N)-M	ZENER DIODE	
D4			MA4091(N)-L	ZENER DIODE	
D5			MA4082(N)-L	ZENER DIODE	
D6			MA4110-L	ZENER DIODE	
D7			MA4068(N)-M	ZENER DIODE	
D8			MA4051(N)-M	ZENER DIODE	
D10,11			AM01Z	DIODE	M1
D10,11			ERA15-01	DIODE	M1
D12,13			AM01Z	DIODE	K
D12,13			ERA15-01	DIODE	K
D14,15			1SS133	DIODE	
D18,19			DAP202K	DIODE	
D18,19			KDS181	DIODE	
D18,19			MA152WA	DIODE	
D20			MA4051(N)-M	ZENER DIODE	
D23			RD6.8MW	ZENER DIODE	
D31			1SR154-400	DIODE	
D32,33			AM01Z	DIODE	

K:KDC-115S M1:KDC-1016

PARTS LIST

*New Parts

Parts without **Parts No.** are not supplied.

Les articles non mentionnes dans le **Parts No.** ne sont pas fournis.

Teile ohne **Parts No.** werden nicht geliefert.

ELECTRIC UNIT (X25-8420-XX)

Ref. No.	Add	New	Parts No.	Description	Destination
D32 ,33			ERA15-01	DIODE	
D34			1SR154-400	DIODE	
D35			AM01Z	DIODE	
D35			ERA15-01	DIODE	
D36			1SR154-400	DIODE	
D37			AM01Z	DIODE	
D37			ERA15-01	DIODE	
D38			1SR154-400	DIODE	
D100-104			1SS133	DIODE	
IC1		*	M38258MCD067FP	MI-COM IC	
IC2			TDA7400D	ANALOGUE IC	
IC4	1D		TDA7386	ANALOGUE IC	
IC5			PST9135NR	ANALOGUE IC	
IC6			HD74HC27FP	MOS-IC	
Q1	2D		2SB1565(E,F)	TRANSISTOR	
Q1	2D		2SB1655(E,F)	TRANSISTOR	
Q2			2SC2412K	TRANSISTOR	
Q2			2SD601A	TRANSISTOR	
Q3			DTA124EK	DIGITAL TRANSISTOR	
Q3			KRA103S	TRANSISTOR	
Q3			UN2112	DIGITAL TRANSISTOR	
Q4			DTC144EK	DIGITAL TRANSISTOR	
Q4			KRC104S	TRANSISTOR	
Q4			UN2213	DIGITAL TRANSISTOR	
Q6			2SB1184	TRANSISTOR	
Q7			2SC2412K	TRANSISTOR	
Q7			2SD601A	TRANSISTOR	
Q8	2D		2SD2396	TRANSISTOR	
Q9			DTC144EK	DIGITAL TRANSISTOR	
Q9			KRC104S	TRANSISTOR	
Q9			UN2213	DIGITAL TRANSISTOR	
Q10			DTA124EK	DIGITAL TRANSISTOR	
Q10			KRA103S	TRANSISTOR	
Q10			UN2112	DIGITAL TRANSISTOR	
Q11			2SB1184	TRANSISTOR	
Q12 -14			2SC2412K	TRANSISTOR	
Q12 -14			2SD601A	TRANSISTOR	
Q15			2SA1036K	TRANSISTOR	
Q16			2SB1277(Q,R)	TRANSISTOR	M1
Q17			DTC114YK	DIGITAL TRANSISTOR	M1
Q17			UN2214	DIGITAL TRANSISTOR	M1
Q18			2SB1277(Q,R)	TRANSISTOR	
Q19			2SB709A	TRANSISTOR	
Q20			DTA124EK	DIGITAL TRANSISTOR	
Q20			KRA103S	TRANSISTOR	
Q20			UN2112	DIGITAL TRANSISTOR	
Q21			DTC114YK	DIGITAL TRANSISTOR	
Q21			UN2214	DIGITAL TRANSISTOR	
Q23			DTA124EK	DIGITAL TRANSISTOR	
Q23			KRA103S	TRANSISTOR	
Q23			UN2112	DIGITAL TRANSISTOR	
Q24			DTC144EK	DIGITAL TRANSISTOR	
Q24			KRC104S	TRANSISTOR	
Q24			UN2213	DIGITAL TRANSISTOR	
Q25			DTC114YK	DIGITAL TRANSISTOR	

Ref. No.	Add	New	Parts No.	Description	Destination
Q25			UN2214	DIGITAL TRANSISTOR	
Q28 ,29			DTC143TK	DIGITAL TRANSISTOR	
Q28 ,29			UN2216	DIGITAL TRANSISTOR	
Q30			2SB1277(Q,R)	TRANSISTOR	
Q31			DTC124EK	DIGITAL TRANSISTOR	
Q31			UN2212	DIGITAL TRANSISTOR	
Q32			2SB1277(Q,R)	TRANSISTOR	
Q33			DTC124EK	DIGITAL TRANSISTOR	
Q33			UN2212	DIGITAL TRANSISTOR	
Q40			DTA144EK	DIGITAL TRANSISTOR	
Q40			UN2113	DIGITAL TRANSISTOR	
TH1			PTH9C42BD471Q	POSITIVE RESISTOR	
A1	2D		X86-3160-11	FRONT-END UNIT	
CD PIAYER UNIT (X32-4700-00)					
C1 ,2			CK73FB1A105K	CHIP C 1.0UF	K
C3			C92-1359-05	CHIP-TAN 10UF	16WV
C4			C92-0566-05	CHIP-TAN 10UF	6.3WV
C5			CC73FCH1H330J	CHIP C 33PF	J
C6			CC73FCH1H030C	CHIP C 3.0PF	C
C7			CK73FB1C104K	CHIP C 0.10UF	K
C8			CK73FB1A105K	CHIP C 1.0UF	K
C9			CC73FCH1H101J	CHIP C 100PF	J
C10			CK73FB1H472K	CHIP C 4700PF	K
C11			CK73FB1H682K	CHIP C 6800PF	K
C12			CK73FB1H222K	CHIP C 2200PF	K
C13			CK73FB1H273K	CHIP C 0.027UF	K
C14			CK73FB1H472K	CHIP C 4700PF	K
C15			CK73FB1E473K	CHIP C 0.047UF	K
C16			CC73FCH1H101J	CHIP C 100PF	J
C17			CK73FB1H472K	CHIP C 4700PF	K
C18			CK73FB1H471K	CHIP C 470PF	K
C19 ,20			CK73FB1C104K	CHIP C 0.10UF	K
C21			C92-1359-05	CHIP-TAN 10UF	16WV
C22			CK73FB1C104K	CHIP C 0.10UF	K
C23			CK73FB1H102K	CHIP C 1000PF	K
C24			CK73FB1H223K	CHIP C 0.022UF	K
C25			CK73FB1H123K	CHIP C 0.012UF	K
C26			CK73FB1A105K	CHIP C 1.0UF	K
C28			CK73FB1A105K	CHIP C 1.0UF	K
C29			CK73FB1C104K	CHIP C 0.10UF	K
C31 ,32			CK73FB1H103K	CHIP C 0.010UF	K
C33			CK73FB1C104K	CHIP C 0.10UF	K
C34			CK73EB1A335K	CHIP C 3.3UF	K
C35			CK73FB1C104K	CHIP C 0.10UF	K
C41			CK73EB1C225K	CHIP C 2.2UF	K
C43			CK73FB1H123K	CHIP C 0.012UF	K
C44			CK73FB1C104K	CHIP C 0.10UF	K
C45			CK73FB1H123K	CHIP C 0.012UF	K
C46			CK73FB1E473K	CHIP C 0.047UF	K
C51			CK73EB1A335K	CHIP C 3.3UF	K
C55			CK73FB1C104K	CHIP C 0.10UF	K
C63			C92-1359-05	CHIP-TAN 10UF	16WV
C67 ,68			CK73FB1A105K	CHIP C 1.0UF	K
C71 ,72			CK73FB1H471K	CHIP C 470PF	K

KDC-1016/115S

PARTS LIST

*New Parts

Parts without **Parts No.** are not supplied.

Les articles non mentionnes dans le **Parts No.** ne sont pas fournis.

Teile ohne **Parts No.** werden nicht geliefert.

CD PLAYER UNIT (X32-4700-00)

Ref. No.	Added	New	Parts No.	Description	Destination
C77,78			CC73FCH1H680J	CHIP C 68PF J	
C79,80			C93-1044-05	CERAMIC 2200PF K	
C85			CK73FB1C104K	CHIP C 0.10U K	
CN1			E40-9536-05	FLAT CABLE CONNECTOR (16P)	
CN2			E40-9339-05	FLAT CABLE CONNECTOR (22P)	
L1			L40-1001-78	SMALL FIXED INDUCTOR(10UH)	
L2			L92-0308-05	FERRITE CORE	
X1			L78-0572-05	RESONATOR (16.93MHZ)	
CP1-3			R90-1019-05	MULTI-COMP 100 X2	
R1,2			RK73FB2A333J	CHIP R 33K J 1/10W	
R3			RK73FB2A823J	CHIP R 82K J 1/10W	
R5			RK73FB2A910J	CHIP R 91 J 1/10W	
R6			RK73FB2A823J	CHIP R 82K J 1/10W	
R8			RK73EB2B4R7J	CHIP R 4.7 J 1/8W	
R9			RK73EB2B100J	CHIP R 10 J 1/8W	
R10,11			RK73FB2A682J	CHIP R 6.8K J 1/10W	
R12			RK73FB2A432J	CHIP R 4.3K J 1/10W	
R13			RK73FB2A363J	CHIP R 36K J 1/10W	
R14,15			RK73FB2A824J	CHIP R 820K J 1/10W	
R16			RK73FB2A223J	CHIP R 22K J 1/10W	
R17			RK73FB2A363J	CHIP R 36K J 1/10W	
R18			RK73FB2A392J	CHIP R 3.9K J 1/10W	
R19			RK73FB2A273J	CHIP R 27K J 1/10W	
R20			RK73FB2A104J	CHIP R 100K J 1/10W	
R21			RK73FB2A224J	CHIP R 220K J 1/10W	
R22,23			RK73FB2A333J	CHIP R 33K J 1/10W	
R31			RK73FB2A102J	CHIP R 1.0K J 1/10W	
R32			RK73FB2A104J	CHIP R 100K J 1/10W	
R34			RK73FB2A683J	CHIP R 68K J 1/10W	
R35			RK73FB2A104J	CHIP R 100K J 1/10W	
R36			RK73FB2A151J	CHIP R 150 J 1/10W	
R37			RK73FB2A471J	CHIP R 470 J 1/10W	
R38			RK73FB2A224J	CHIP R 220K J 1/10W	
R44			RK73FB2A512J	CHIP R 5.1K J 1/10W	
R45			RK73FB2A103J	CHIP R 10K J 1/10W	
R46			RK73FB2A102J	CHIP R 1.0K J 1/10W	
R47			RK73FB2A103J	CHIP R 10K J 1/10W	
R49			RK73FB2A472J	CHIP R 4.7K J 1/10W	
R50			RK73FB2A102J	CHIP R 1.0K J 1/10W	
R52			RK73FB2A104J	CHIP R 100K J 1/10W	
R54			RK73FB2A104J	CHIP R 100K J 1/10W	
R71			RK73FB2A103J	CHIP R 10K J 1/10W	
R72			RK73FB2A102J	CHIP R 1.0K J 1/10W	
R73			RK73FB2A473J	CHIP R 47K J 1/10W	
R74			RK73FB2A103J	CHIP R 10K J 1/10W	
R75			RK73FB2A333J	CHIP R 33K J 1/10W	
R76			RK73FB2A622J	CHIP R 6.2K J 1/10W	
R77			RK73FB2A563J	CHIP R 56K J 1/10W	
R78			RK73FB2A243J	CHIP R 24K J 1/10W	
R79			RK73FB2A242J	CHIP R 2.4K J 1/10W	
R80			RK73FB2A202J	CHIP R 2.0K J 1/10W	
R81			RK73FB2A333J	CHIP R 33K J 1/10W	
R82			RK73FB2A103J	CHIP R 10K J 1/10W	

Ref. No.	Added	New	Parts No.	Description	Destination
R83			RK73FB2A102J	CHIP R 1.0K J 1/10W	
R101,102			RK73FB2A332J	CHIP R 3.3K J 1/10W	
R103,104			RK73FB2A562J	CHIP R 5.6K J 1/10W	
R107,108			RK73FB2A331J	CHIP R 330 J 1/10W	
R117,118			RK73FB2A203J	CHIP R 20K J 1/10W	
R121,122			RK73FB2A203J	CHIP R 20K J 1/10W	
R125,126			RK73FB2A203J	CHIP R 20K J 1/10W	
R202			RK73FB2A102J	CHIP R 1.0K J 1/10W	
R214			RK73FB2A104J	CHIP R 100K J 1/10W	
R216,217			RK73FB2A155J	CHIP R 1.5M J 1/10W	
R218			RK73FB2A473J	CHIP R 47K J 1/10W	
R219			RK73FB2A472J	CHIP R 4.7K J 1/10W	
R220			RK73FB2A103J	CHIP R 10K J 1/10W	
W8			R92-2052-05	CHIP R 0 J 1/10W	
S1,2			S68-0838-05	PUSH SWITCH	
S3			S68-0823-05	PUSH SWITCH	
D1,2			DAN202U	DIODE	
D3			DA204K	DIODE	
D4			DAN202U	DIODE	
IC1			AN8806SB	ANALOGUE IC	
IC2		*	MN662774KC3	MOS-IC	
IC4			BA5917AFP	ANALOGUE IC	
IC5			TA78L05F	IC(VOLTAGE REGULATOR/ +5V)	
IC6			NJM4565MD	IC(OP AMP X2)	
Q1			2SB1188	TRANSISTOR	
Q2			DTC124EUA	DIGITAL TRANSISTOR	
Q3,4			2SA1362(Y)	TRANSISTOR	
Q5			DTC124EUA	DIGITAL TRANSISTOR	
Q8			DTC124EUA	DIGITAL TRANSISTOR	

CD MECHANISM ASSY (X92-3690-00)

1	2A	*	A10-4482-01	CHASSIS	
2	1B		A10-4225-33	CHASSIS CALKING ASSY	
3	2B		A11-0915-43	SUB CHASSIS CALKING ASSY	
5	2A		D10-3082-13	ARM	
6	2A		D10-4306-04	ARM ASSY	
7	2A		D10-4305-04	ARM ASSY	
8	3A		D10-3087-44	ARM ASSY	
9	3B		D10-3092-03	SLIDER	
10	3B		D10-3093-04	SLIDER ASSY	
11	2B		D10-3095-04	SLIDER ASSY	
12	2B		D10-3096-04	SLIDER ASSY	
13	1A		D10-3099-24	SLIDER ASSY	
14	1A		D10-3100-04	SLIDER ASSY	
16	1B		D10-4004-04	LEVER ASSY	
17	1B		D10-4006-04	LEVER	
18	1A		D10-4007-04	LEVER	
19	2B		D10-4008-14	LEVER	
20	2A		D10-4009-23	ARM	
21	3A		D10-4010-04	LEVER	
22	3A		D10-4011-34	LEVER ASSY	
23	3A		D10-4013-14	ARM ASSY	
24	3B		D10-4050-04	ARM	
25	3A		D10-4038-23	ARM ASSY	

KDC-1016/115S

PARTS LIST

*New Parts

Parts without **Parts No.** are not supplied.

Les articles non mentionnes dans le **Parts No.** ne sont pas fournis.

Teile ohne **Parts No.** werden nicht geliefert.

CD MECHANISM ASSY (X92-3690-00)

Ref. No.	A d d	N e w	Parts No.	Description	Dest inati on
26	2A		D10-4123-24	LEVER ASSY	
27	3A		D13-1340-13	RACK (GEAR)	
29	3B		D13-1231-04	GEAR	
30	3A		D13-1240-04	GEAR	
31	3B		D13-1233-04	GEAR	
32	3B		D13-1234-14	GEAR ASSY	
33	3A		D13-1238-03	GEAR	
34	3B		D13-1232-04	GEAR	
35	3B		D13-1241-04	GEAR	
36	3A		D13-1242-04	GEAR	
37	1B		D13-1243-04	GEAR	
38	1B		D13-1244-04	GEAR	
39	1B		D13-1245-14	GEAR	
40	2A		D13-1246-04	GEAR	
41	2B		D13-1247-04	GEAR	
43	2B		D13-1249-04	GEAR ASSY	
44	2B		D13-1341-04	GEAR ASSY (LEAD SCREW)	
45	1B		D14-0668-04	ROLLER	
46	2A		D14-0670-04	ROLLER	
47	3B		D14-0674-04	ROLLER	
49	3A		D21-2228-14	SHAFT	
50	1A		D21-2229-04	SHAFT	
51	1A		D23-0925-24	RETAINER	
52	2A		D32-0614-04	STOPPER	
53	1B		D39-0223-05	DAMPER (YELLOW)	
54	2B		D39-0224-05	DAMPER (BLACK)	
55	3B		F09-1246-04	SHEET	
58	3B		F09-1266-14	SHEET	
60	2A		G01-2770-04	EXTENSION SPRING	
61	3A		G01-2771-04	EXTENSION SPRING	
62	3A		G01-2772-24	EXTENSION SPRING	
63	3A		G01-2773-14	EXTENSION SPRING	
64	3A		G01-2774-34	EXTENSION SPRING	
65	1B		G01-2775-04	TORSION COIL SPRING	
66	1B		G01-2776-14	TORSION COIL SPRING	
67	3B		G01-2777-24	TORSION COIL SPRING	
69	2A		G01-2844-04	EXTENSION SPRING	
70	2A		G02-1231-04	FLAT SPRING	
71	2B		G02-1232-24	FLAT SPRING	
72	2A		G02-1241-24	FLAT SPRING	
73	2A		G02-1248-14	FLAT SPRING	
75	2A		J11-0613-13	CLAMPER	
76	3A		J19-4678-13	HOLDER	
77	2B		J19-4679-24	HOLDER	
78	3B		J21-7684-13	MOUNTING HARDWARE	
79	2B		J21-7686-13	MOUNTING HARDWARE	
80	1B		J21-7690-03	MOUNTING HARDWARE	
81	3A		J31-1032-04	COLLAR	
82	3A	*	J84-0107-05	FLEXIBLE PRINTED WIRING BOARD	
83	1A		J90-0757-22	GUIDE	
A	2A		N09-4249-05	MACHINE SCREW (M1.7X2.5,LOCK)	
B	1B		N09-4172-05	TAPPING SCREW (2X3.5,CTITE)	
C	2B		N09-4202-05	STEPPED SCREW	

Ref. No.	A d d	N e w	Parts No.	Description	Dest inati on
D	2A		N38-2020-46	PAN HEAD MACHIN SCREW	
E	3A		N09-4294-05	TAPTITE SCREW (BIND P TAPTIT)	
F	3B		N19-2023-04	FLAT WASHER	
G	2A		N19-2058-04	FLAT WASHER	
H	3A		N19-2093-04	FLAT WASHER	
J	2A		N39-2020-46	PAN HEAD MACHIN SCREW	
DM1	3B		T42-0764-04	DC MOTOR ASSY	
DM2	3B		T42-0763-04	DC MOTOR ASSY	
DPU1	2B	*	T25-0215-05	OPTICAL PICKUP HEAD	

KDC-1016/115S

SPECIFICATIONS

	Model	KDC-115S	KDC-1016			
FM	Frequency Range (Frequency step)	87.9MHz-107.9MHz (200kHz)	87.5MHz-108.0MHz (50kHz)			
	Channel Space Selection	50kHz/200kHz	50kHz/200kHz			
	Usable Sensitivity (S/N 30dB)	9.3dBf (0.8μV/75Ω)	9.3dBf (0.8μV/75Ω)			
	Quieting Sensitivity (S/N 50dB)	15.2dBf (1.6μV/75Ω)	15.2dBf (1.6μV/75Ω)			
	Frequency Response (±3.0dB)	30Hz-15kHz	30Hz-15kHz			
	S/N	70dB(MONO)	70dB(MONO)			
	Selectivity	≥80dB(±400kHz)	≥80dB(±400kHz)			
	Stereo Separation	40dB(1kHz)	40dB(1kHz)			
AM	Frequency Range (Frequency step)	530kHz-1700kHz (10kHz)	531kHz-1611kHz (9kHz)			
	Channel Space Selection	9kHz/10kHz	9kHz/10kHz			
	Usable Sensitivity (S/N 20dB)	28dBμ(25μV)	28dBμ(25μV)			
CD	Laser Diode	GaAlAs (λ=780nm)	GaAlAs (λ=780nm)			
	Digital Filter(D/A)	8 times Over Sampling	8 times Over Sampling			
	D/A Converter	1 Bit	1 Bit			
	Spindle Speed	500-200rpm(CLV)	500-200rpm(CLV)			
	Wow & Flutter	Below Measurable Limit	Below Measurable Limit			
	Frequency Response	10Hz-20kHz(±1dB)	10Hz-20kHz(±1dB)			
	THD	0.01%(1kHz)	0.01%(1kHz)			
	S/N Ratio	96dB(1kHz)	96dB(1kHz)			
	Dynamic Range	93dB	93dB			
	Channel Separation	85dB	85dB			
Preout Level/Load		1800mV/10kΩ(CD)	1800mV/10kΩ(CD)			
Preout Impedance		≤600Ω	≤600Ω			
AMPLIFIER	Maximum Power	45Wx4	45Wx4			
	Full Bandwidth Power (at less than 1% THD)	22Wx4	22Wx4			
TONE	Bass	100Hz±10dB	100Hz±10dB			
	Treble	10kHz±10dB	10kHz±10dB			
GENERAL	Operating Voltage (11V [∧] 16V allowable)	14.4V	14.4V			
	Current Consumption	10A	10A			
	Installation Size (W)	182mm	7-3/16inch	182mm	7-3/16inch	
		(H)	53mm	2-1/16inch	53mm	2-1/16inch
		(D)	160mm	6-5/16inch	160mm	6-5/16inch
Weight	3.1lbs	(1.4kg)	3.1lbs	(1.4kg)		

KENWOOD follows a policy of continuous advancements in development. For this reason specifications may be changed without notice.

KENWOOD CORPORATION

14-6, Dogenzaka 1-chome, Shibuya-ku, Tokyo 150-8501 Japan

KENWOOD SERVICE CORPORATION
P.O. BOX 22745, 2201 East Dominguez Street, Long Beach, CA90801-5745, U.S.A.

KENWOOD ELECTRONICS CANADA INC.
6070 Kestrel Road, Mississauga, Ontario, Canada L5T 1S8

KENWOOD ELECTRONICS LATIN AMERICA S.A.
P.O. BOX 55-2791, Piso 6, Plaza Chase, Cl. 47 y, Aquilino de la Guardia, Panama, Republic of Panama

KENWOOD ELECTRONICS BRASIL LTDA.
Av. Moema, 170-17, Andar-Cobertura "B", Ed. Maximum Service Center, 04077-020 Moema, São Paulo-SP-Brasil

KENWOOD ELECTRONICS UK LIMITED
Kenwood House, Dwight Road, Watford, Herts, WD1 8EB, United Kingdom

KENWOOD ELECTRONICS DEUTSCHLAND GMBH
Rembrücker-Str. 15, 63150 Heusenstamm, Germany

KENWOOD ELECTRONICS FRANCE S.A.
13, Boulevard Ney, 75018 Paris, France

KENWOOD ELECTRONICS BELGIUM N.V.
Mechelsesteenweg 418, B-1930 Zaventem, Belgium

KENWOOD ELECTRONICS ITALIA S.p.A.
Via G. Sirtori 7/9, 20129 Milano, Italy

KENWOOD IBÉRICA S.A.
Bolivia, 239-08020 Barcelona, Spain

KENWOOD ELECTRONICS AUSTRALIA PTY. LTD. (A.C.N. 001 499 074)
16 Giffnock Avenue, North Ryde, N.S.W. 2113, Australia

KENWOOD ELECTRONICS (HONG KONG) LTD.
Unit 3712-3724, Level 37, Tower 1, Metroplaza, 223 Hing Fong Road, Kwai Fong, N.T., Hong Kong

KENWOOD ELECTRONICS GULF FZE
P.O. Box 61318, Jebel Ali, Dubai, U.A.E.

KENWOOD ELECTRONICS (THAILAND) CO., LTD.
2019 New Pechburi Road, Bangkok, Huaykwang, Bangkok, 10320 Thailand

KENWOOD ELECTRONICS SINGAPORE PTE. LTD.
1 Genting Lane, #07-00, Kenwood Building, Singapore, 349544

KENWOOD ELECTRONICS (MALAYSIA) SDN BHD
#4.01 Level 4, Wisma Academy Lot 4A, Jalan 19/1, 46300 Petaling Jaya, Selangor Darul Ehsan, Malaysia