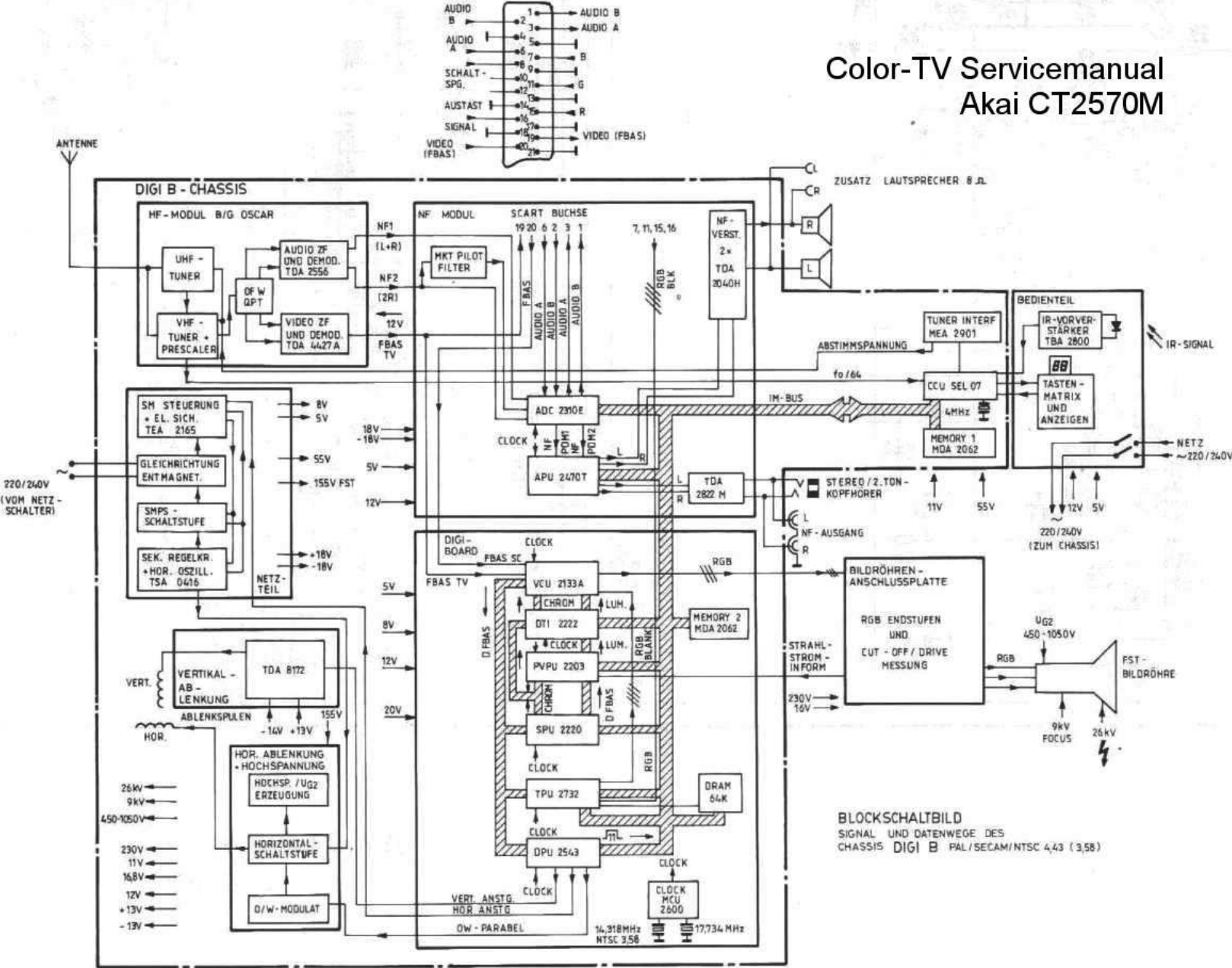
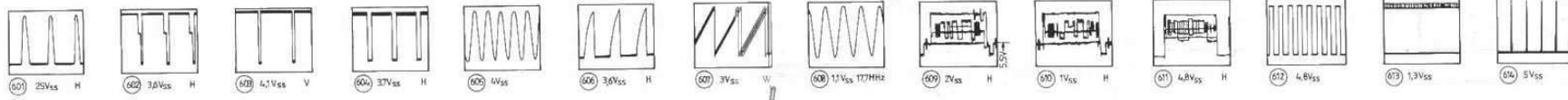
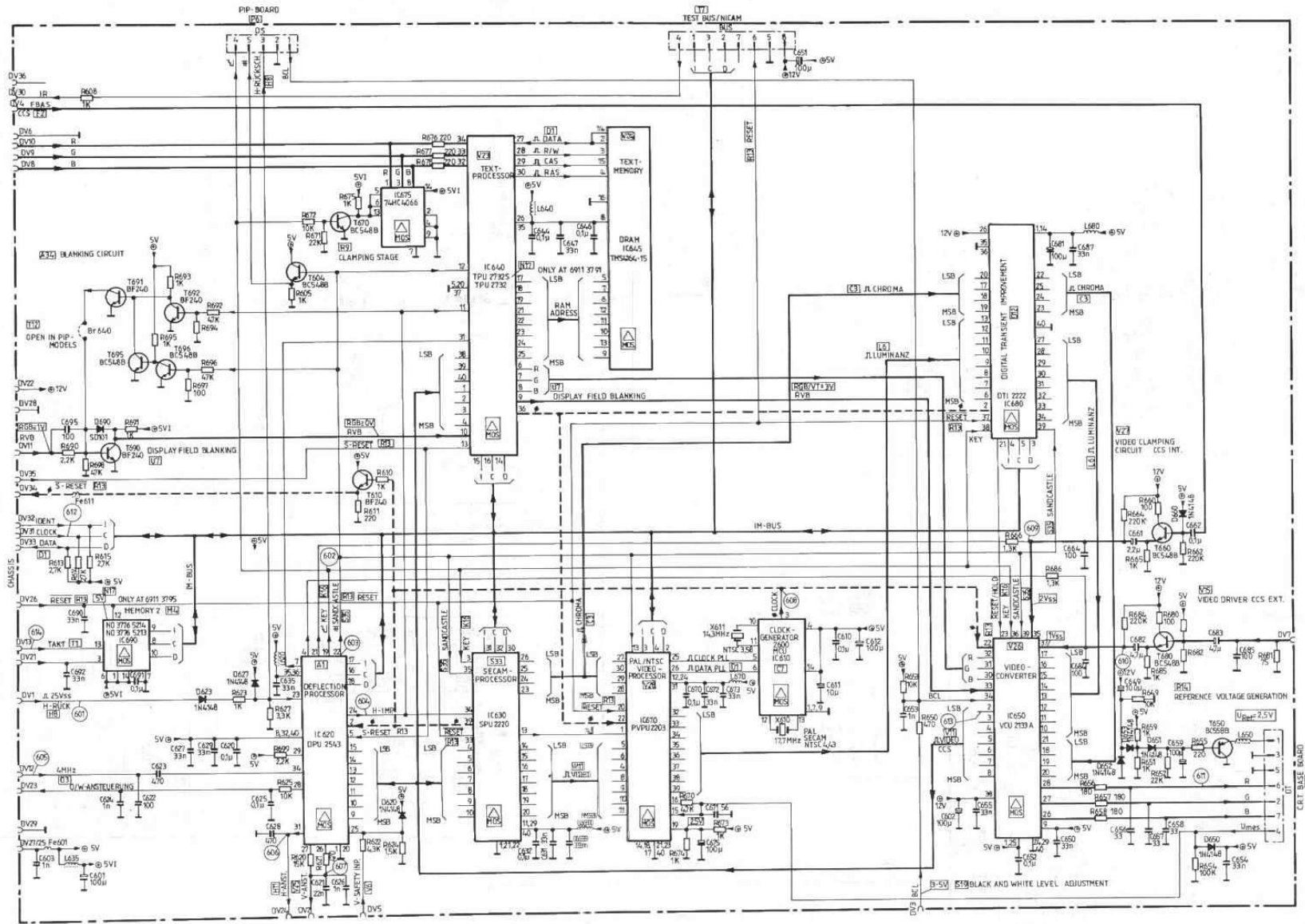


Color-TV Servicemanual Akai CT2570M

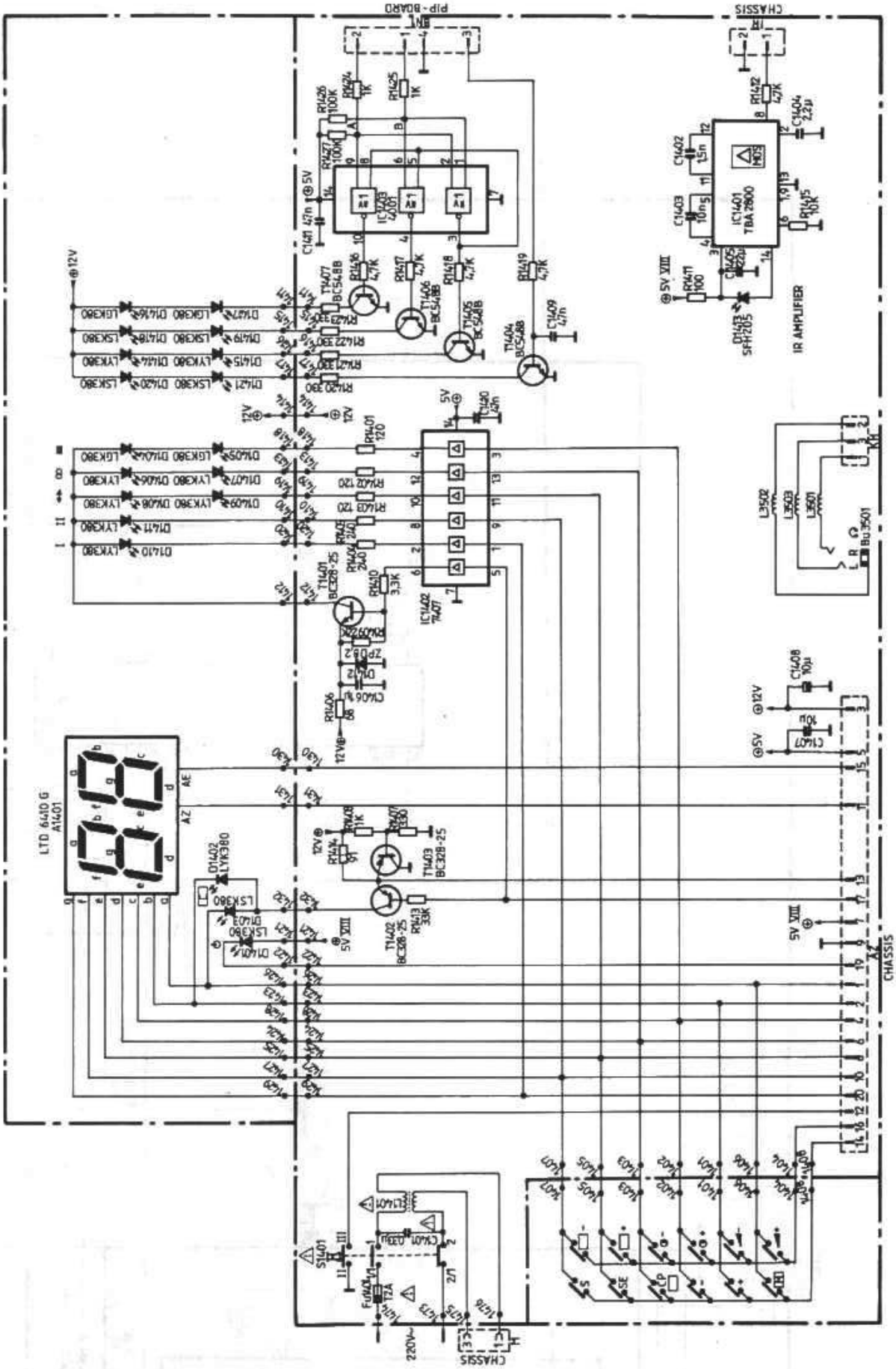


BLOCKSCHALTBIKD
SIGNAL UND DATENWEGE DES
CHASSIS DIGI B PAL/SECAM/NTSC 4,43 (3,58)

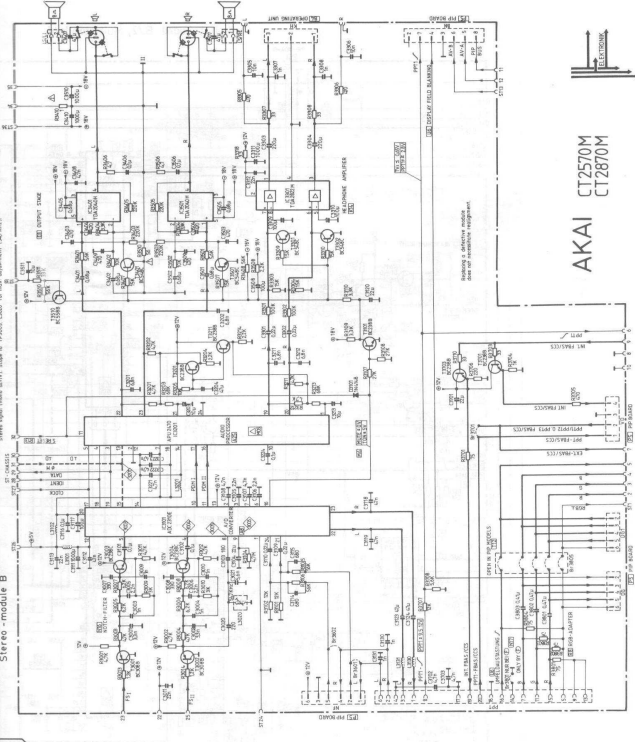
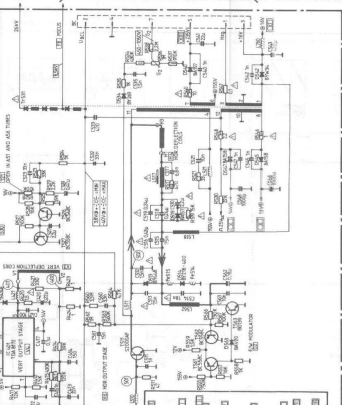
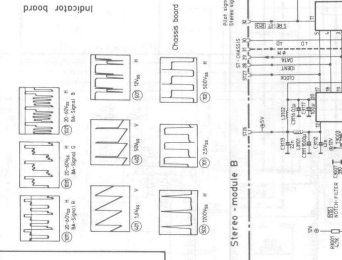
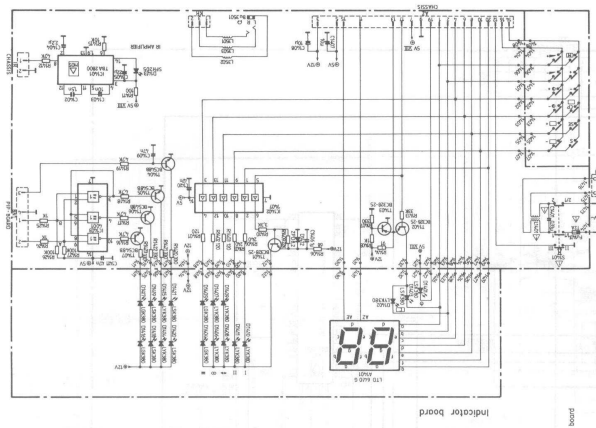
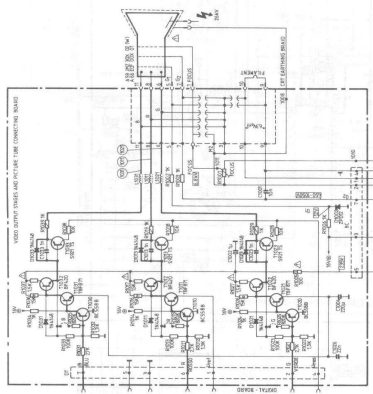
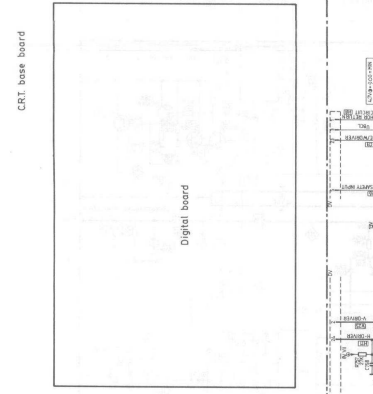
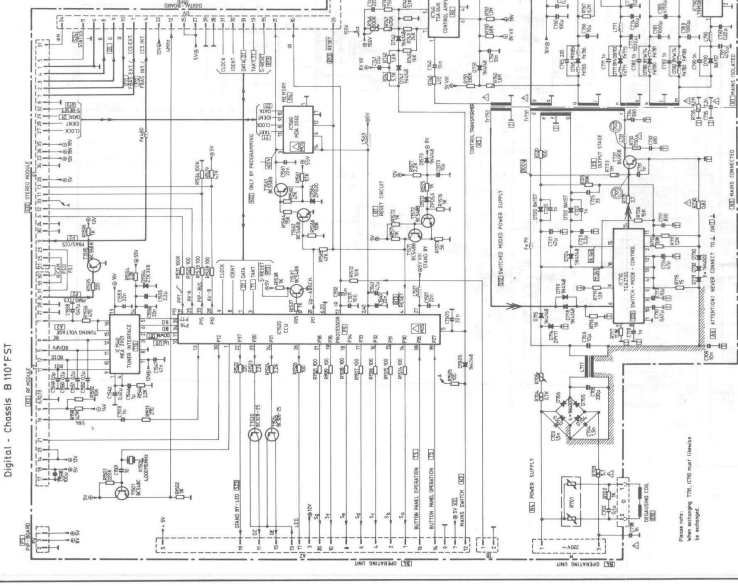
Digital board B/2, Multistandard



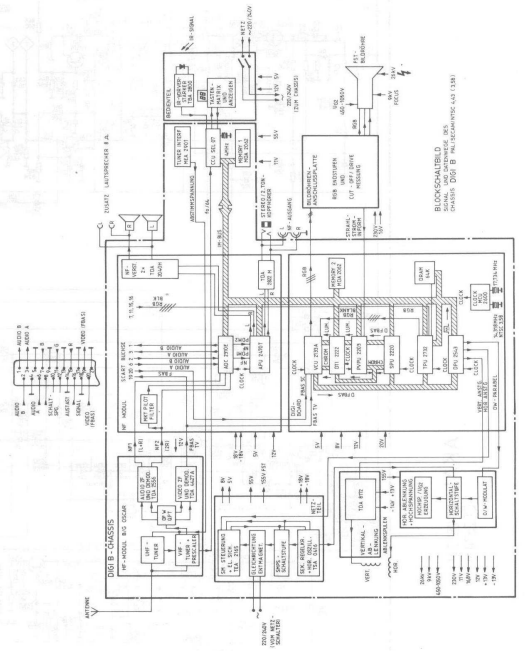
Indicator board



Digital - Chassis B110/F51



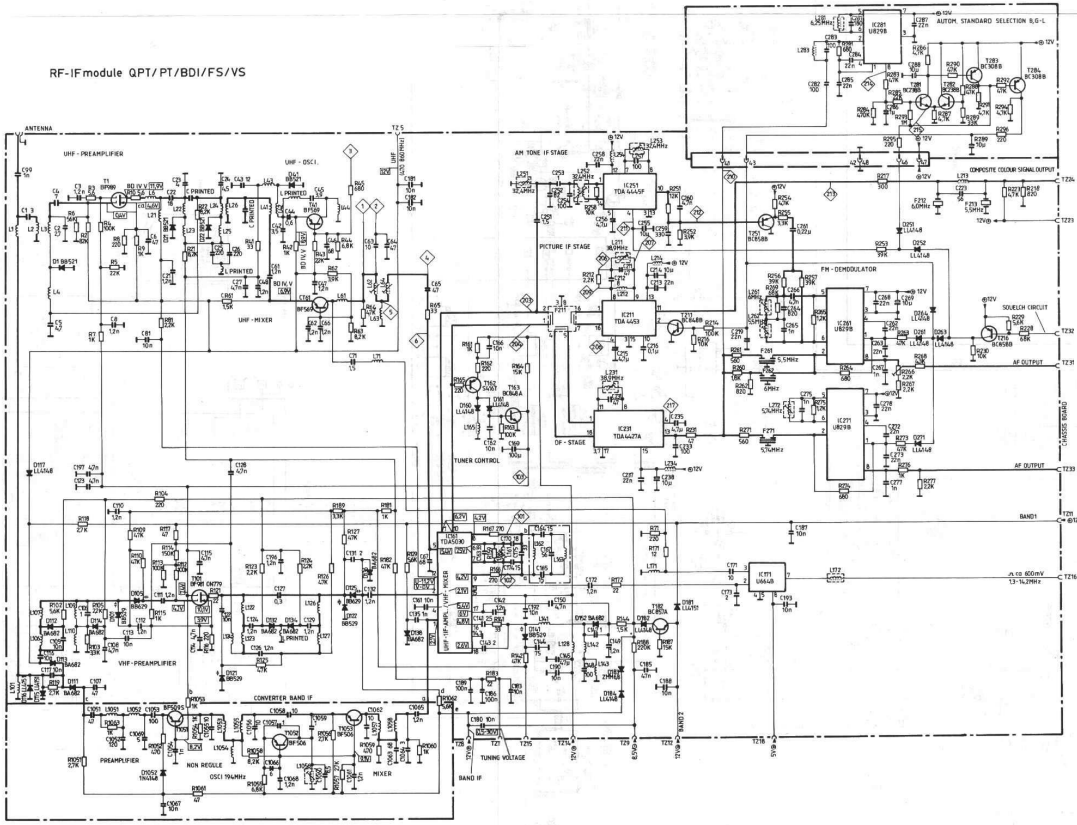
AKAI CT2570M CT2670M



Blockdiagram
Chassis B110/F51

RF-IF module QPT/PT/BDI/FS/VS

AKAI CT250M
CT2870M



Stereo - module B

