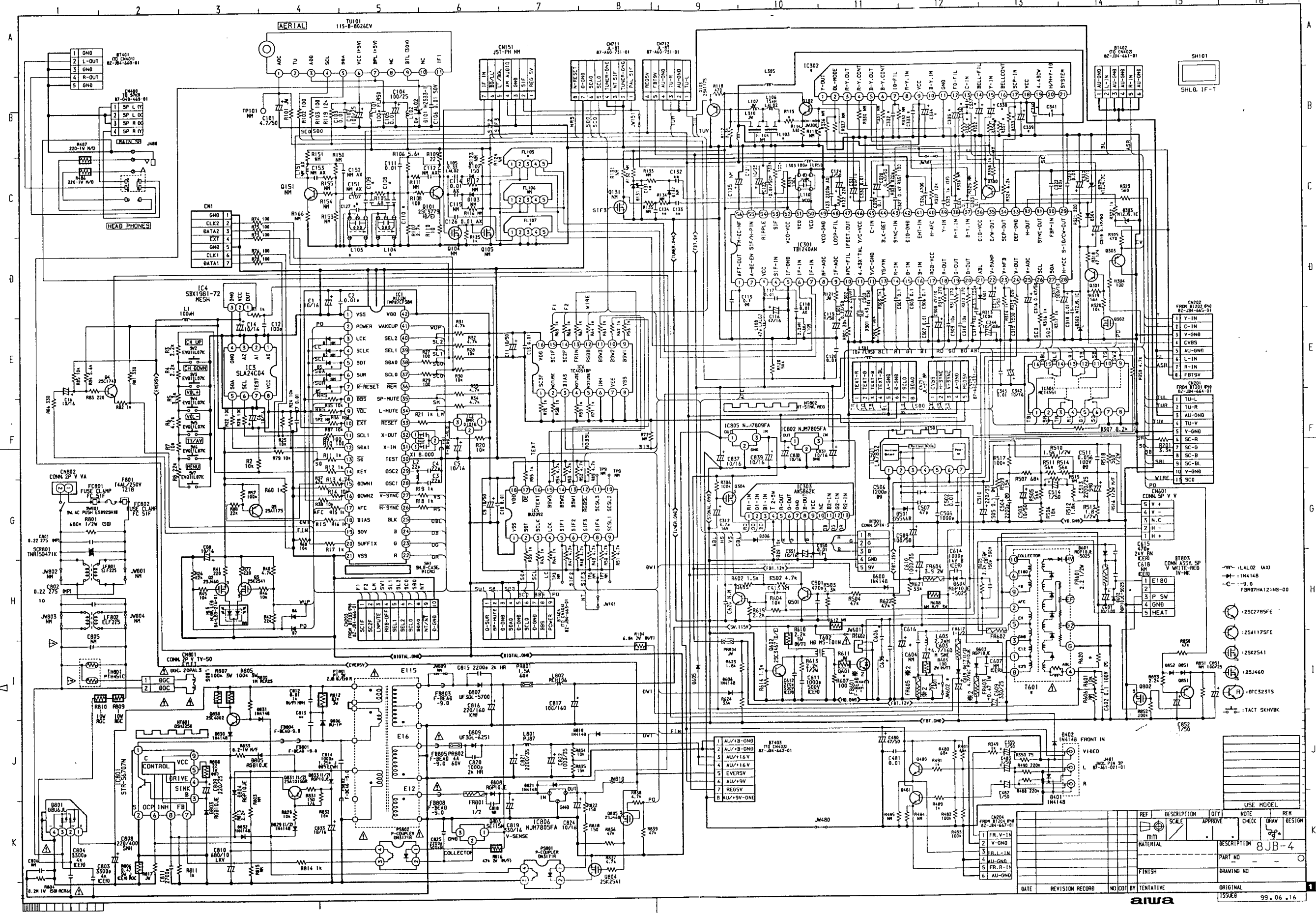


AIWA TV-SE141 SCHEMATIC DIAGRAM_1 (MAIN)

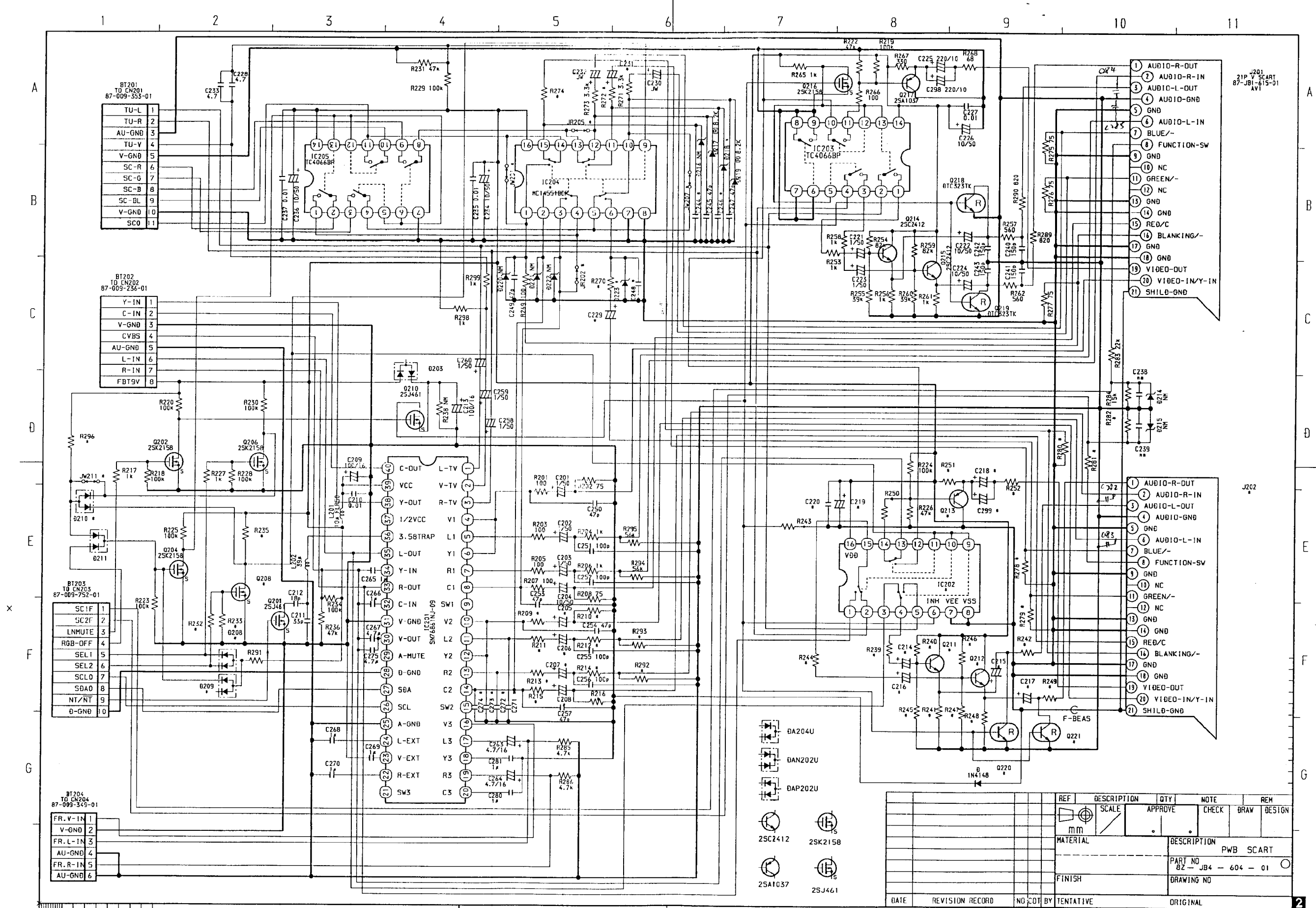


- 1. 1L4L02 (A0)
- 2. 1N4148
- 3. 9-B
- 4. FR807H121NB-00
- 5. 25C2785FE
- 6. 25A1175FE
- 7. 25K2541
- 8. 25J440
- 9. 0TC323TS
- 10. TACT SKHYBK

REF	DESCRIPTION	QTY	NOTE	REVISION
1	FR. V-IN			
2	V-GND			
3	FR. L-IN			
4	ALL-GND			
5	FR. R-IN			
6	AU-GND			

DATE	REVISION	RECORD	NO. (COT) BY	TENTATIVE	ORIGINAL

SCHEMATIC DIAGRAM - 2 (SCART)

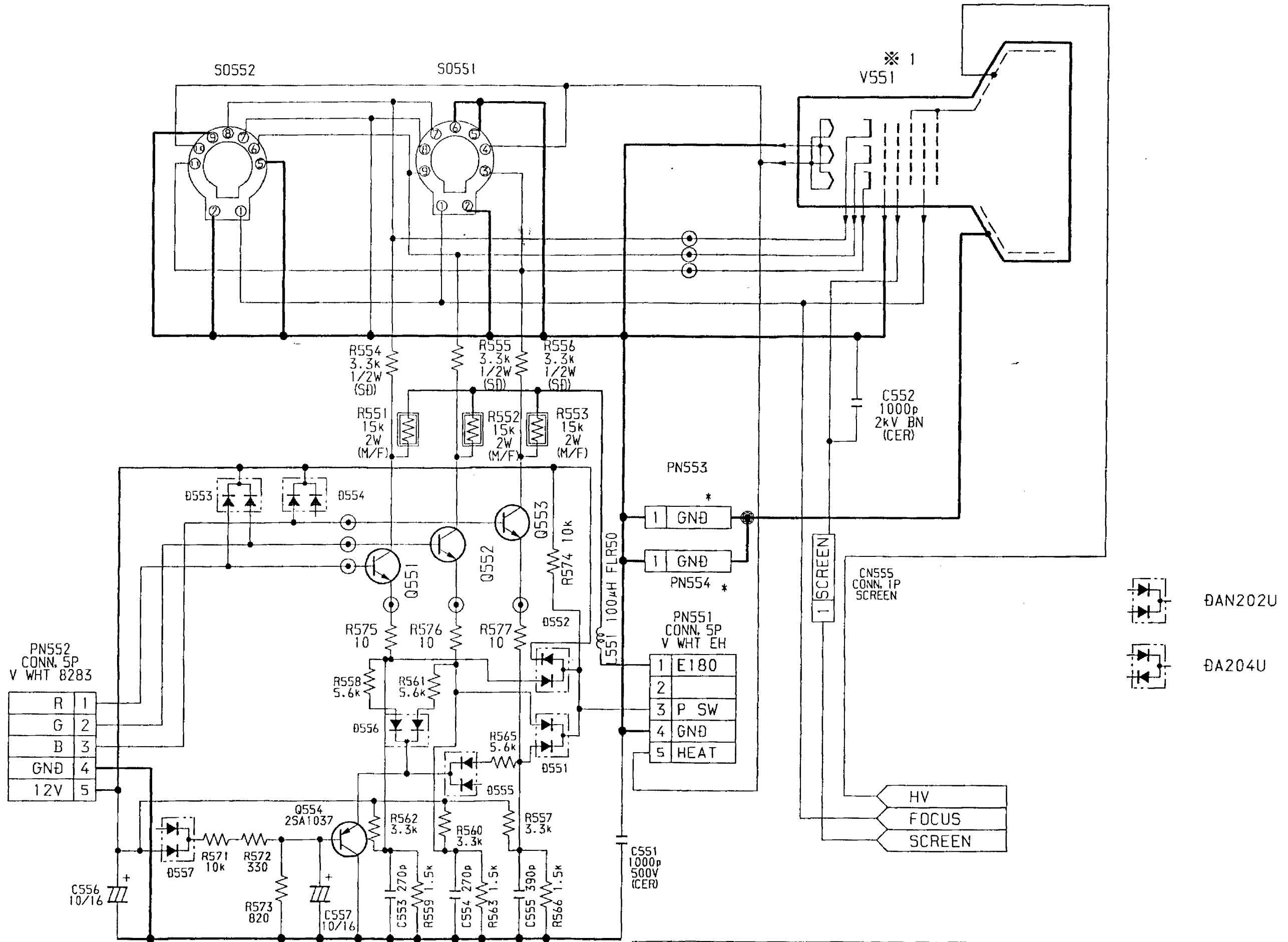


- DA204U
- DAN202U
- DAP202U
- 25C2412
- 25A1037
- 25K2158
- 25J461

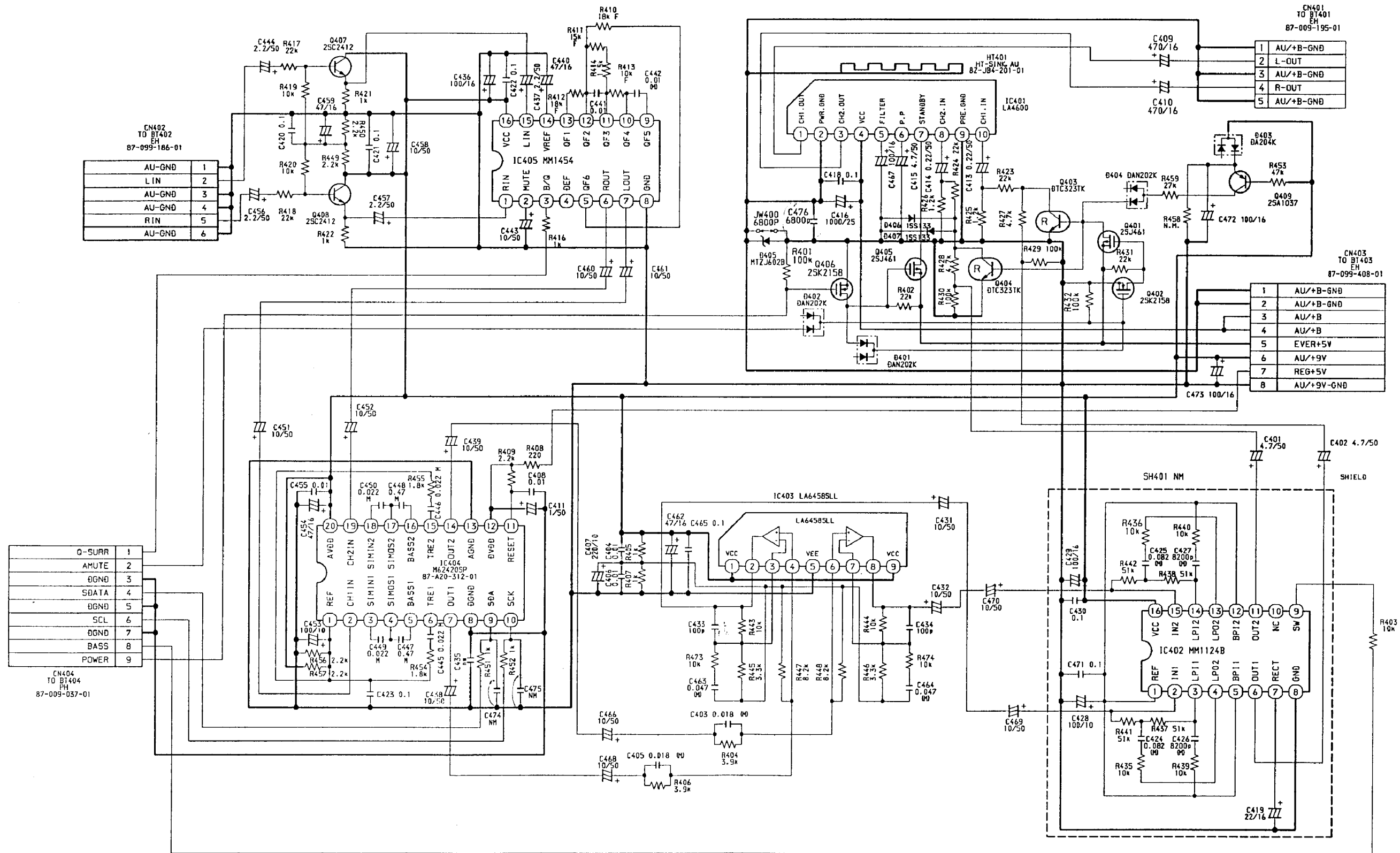
REF	DESCRIPTION	QTY	NOTE	REM
SCALE	APPROVE	CHECK	DRAW	DESIGN
MATERIAL	DESCRIPTION PWB SCART			
FINISH	PART NO 82-JB4-604-01			
DATE	REVISION RECORD	NO. 201	BY TENTATIVE	ORIGINAL
				ISSUED 99.16.17

aiwa

SCHEMATIC DIAGRAM - 3 (NK)



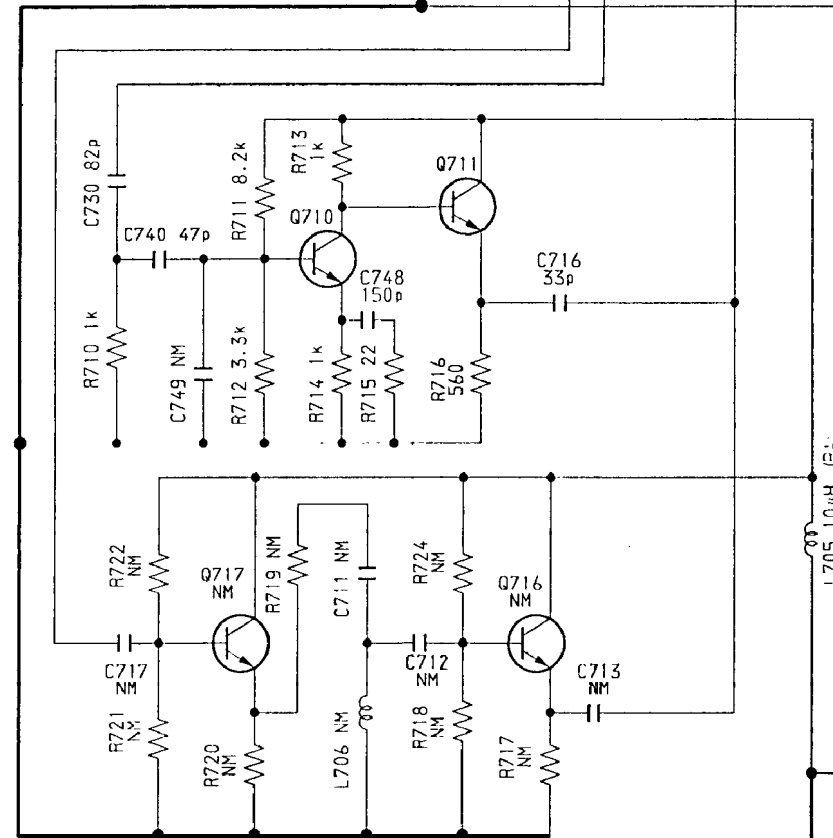
SCHEMATIC DIAGRAM - 4 (AUDIO)



SCHEMATIC DIAGRAM - 5 (NICAM)

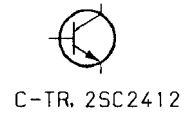
CN701
JL-R
87-A60-722-01

PAI SIF IN	1
TUNER-GND	2
NT SIF IN	3
TUNER-GND	4
SCLO	5
SDAO	6
θ-GND	7
N-RESET	8



TU-L	1
AU-GND	2
TU-R	3
AU-GND	4
FBT9V	5
REG5V	6

CN702
JL-R
87-A60-720-01

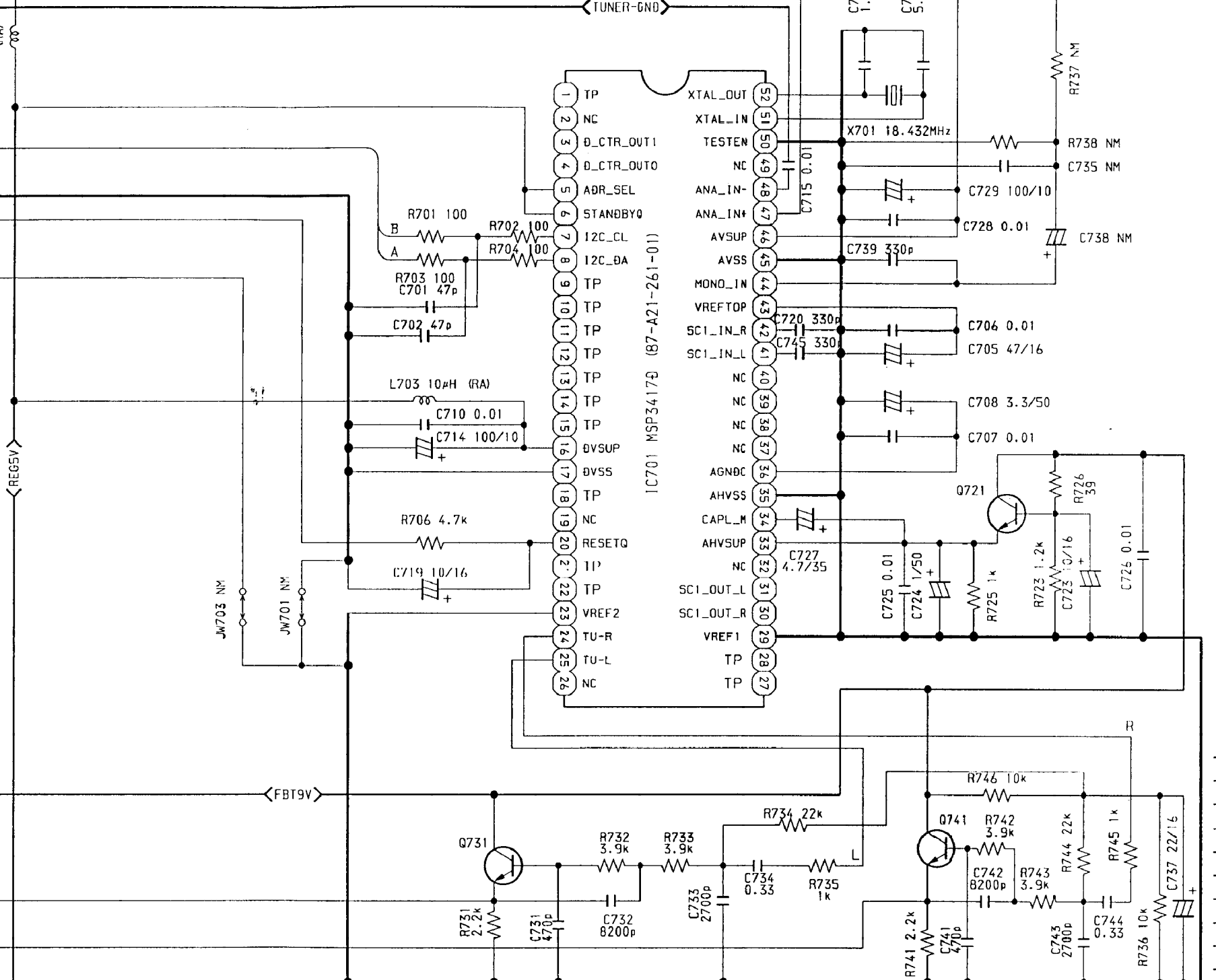


C-TR. 25C2412

L707
10μH (RA)

L705
10μH (P)

L708
100μH (RA)



REF	DESCRIPTION	QTY	NOTE	REM
	SCALE	APPROVE	CHECK	DRAW DESIGN
	m/m			伊藤 伊藤
	MATERIAL	DESCRIPTION		
		PART NO		
	FINISH	DRAWING NO		
DATE	REVISION RECORD	NO	COT	BY
				TENTATIVE ORIGINAL

A
B
C
D
E
3

SCHEMATIC DIAGRAM - 6 (TEXT)

