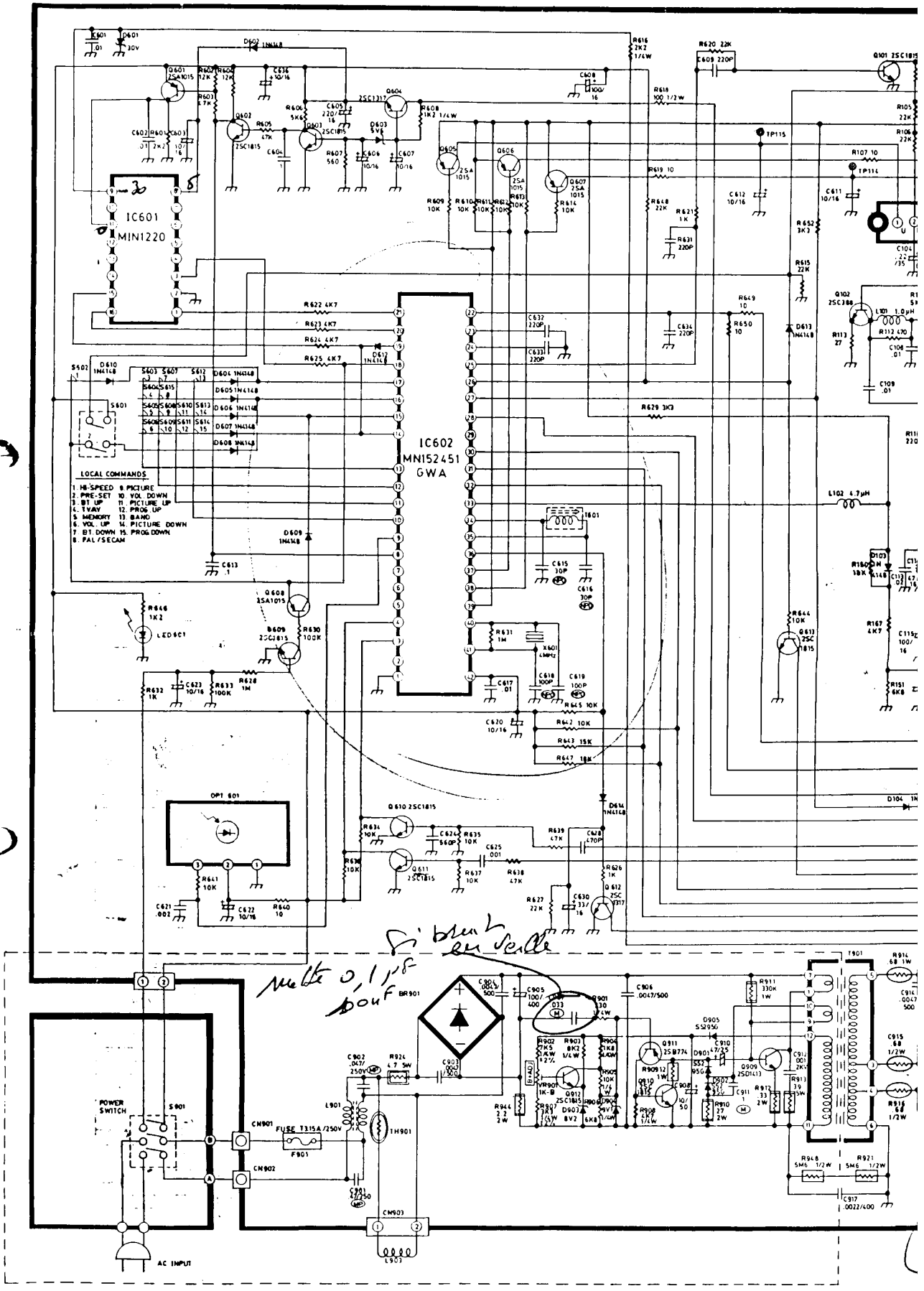
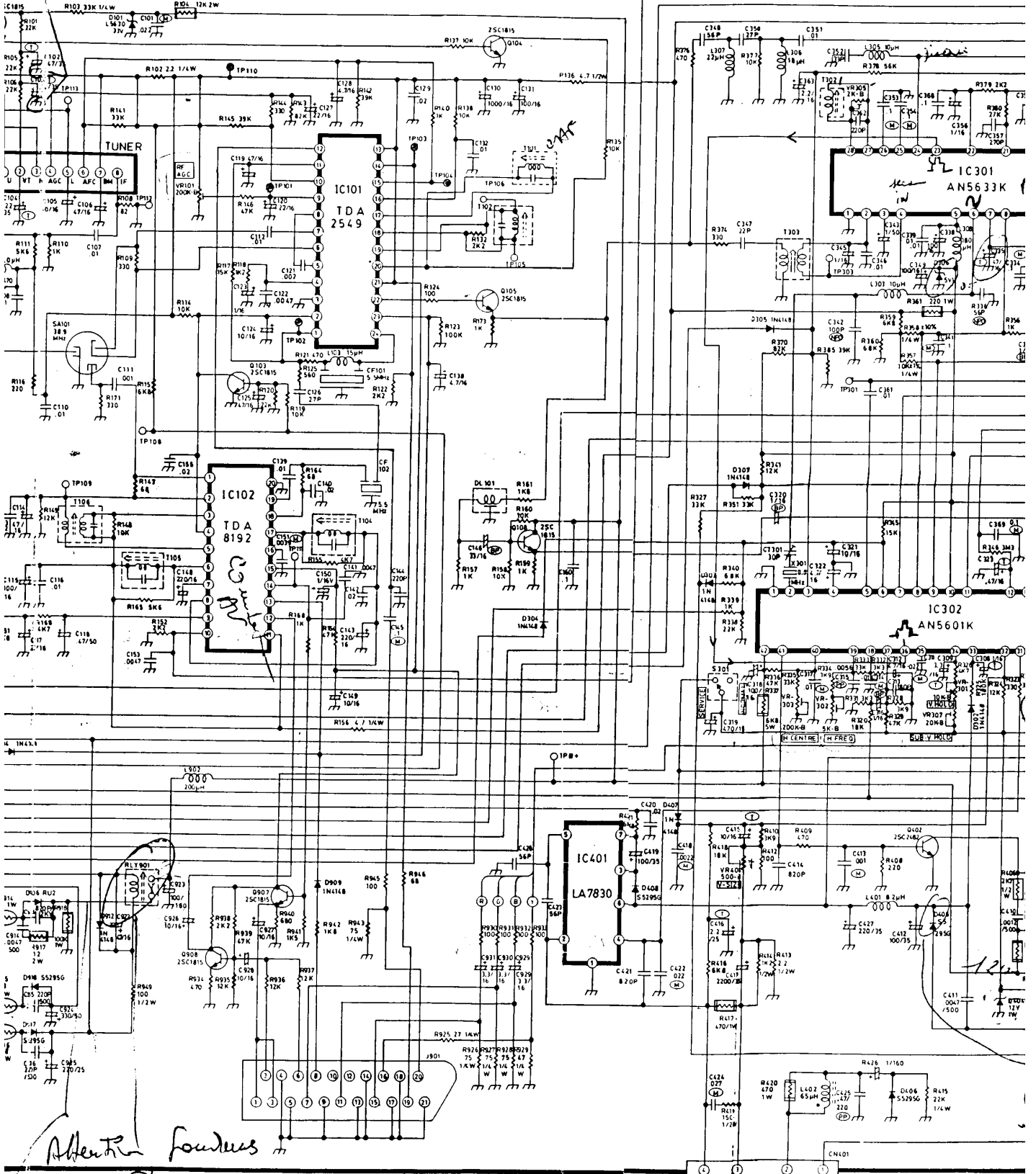


View Ver6 return me



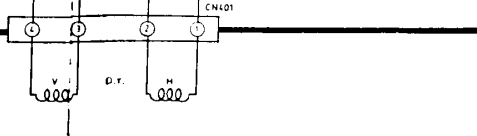
200 17/18

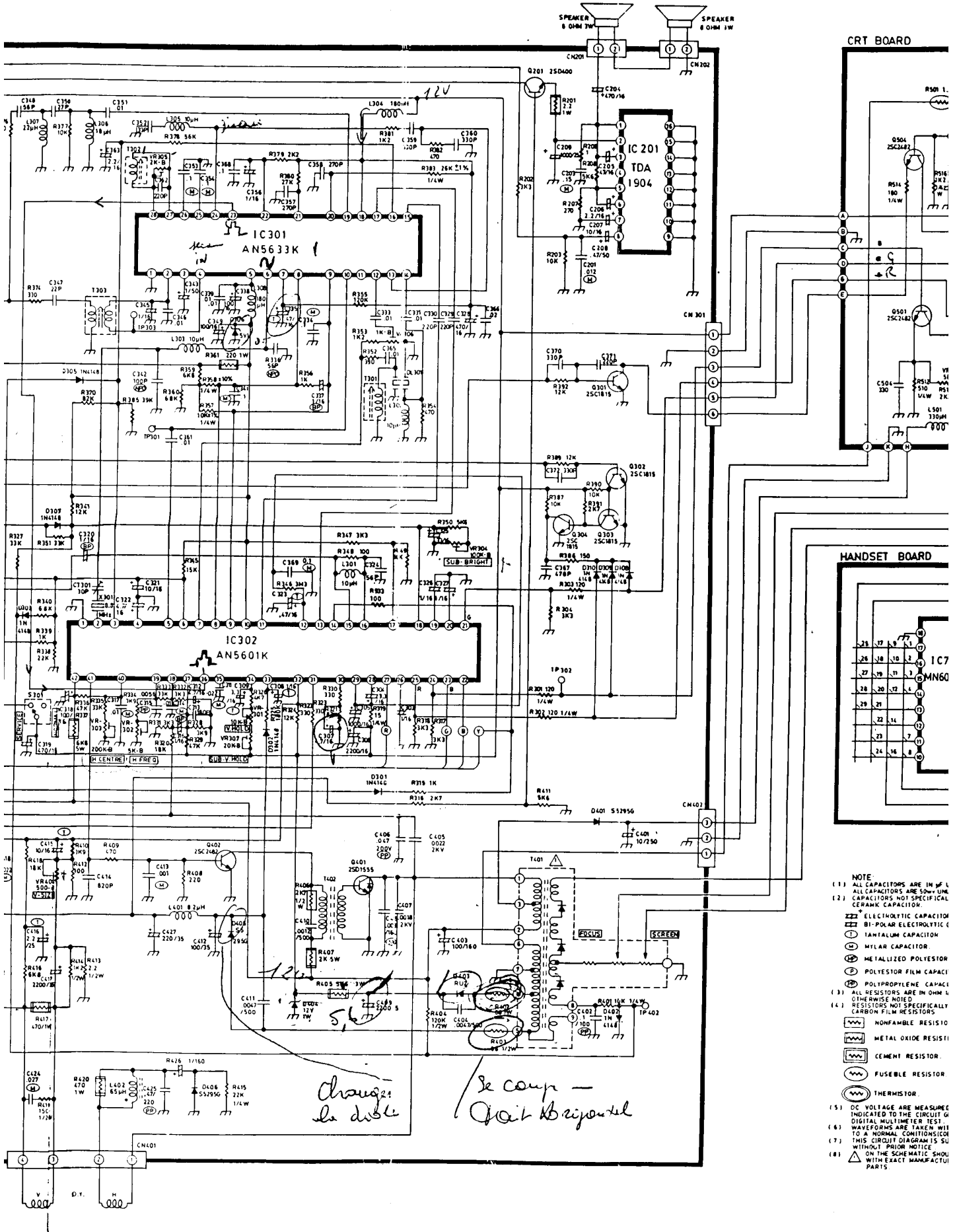
Le pos de masse ble au lieu (image avec tout noir et diff. et son toujours)



Attention foudres

secteur
cablet au lieu de 110V

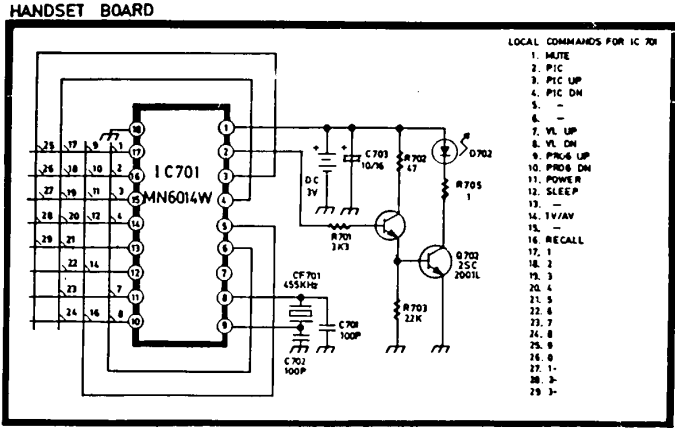
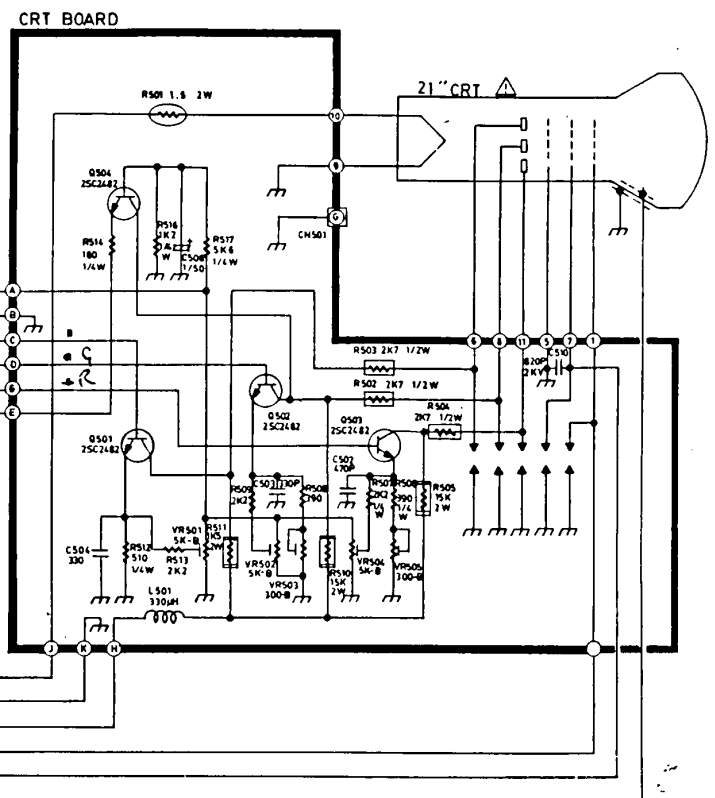
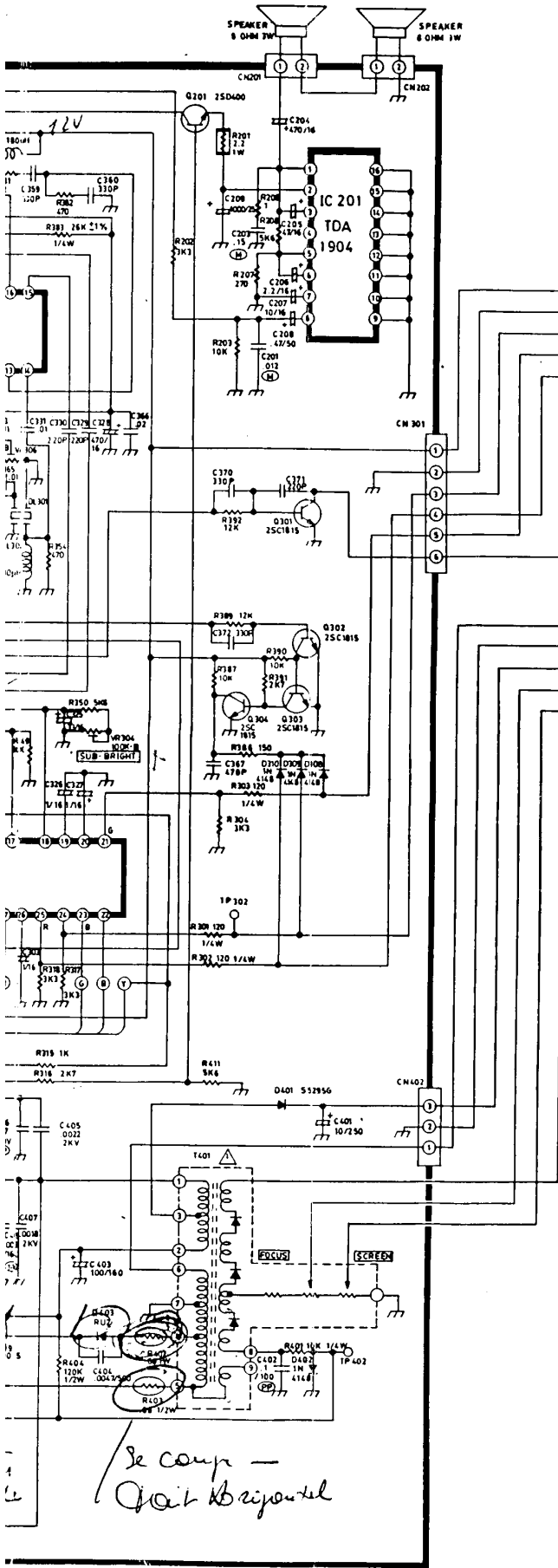




- NOTE:**
- (1) ALL CAPACITORS ARE IN μ F UNLESS OTHERWISE SPECIFIED.
 - (2) CAPACITORS NOT SPECIFICALLY IDENTIFIED ARE CERAMIC CAPACITORS.
 - (3) ELECTROLYTIC CAPACITOR
 - (4) BI-POLAR ELECTROLYTIC CAPACITOR
 - (5) TANTALUM CAPACITOR
 - (6) MYLAR CAPACITOR
 - (7) METALLIZED POLYESTER
 - (8) POLYESTER FILM CAPACITOR
 - (9) POLYPROPYLENE CAPACITOR
 - (10) ALL RESISTORS ARE IN OHMS UNLESS OTHERWISE NOTED.
 - (11) RESISTORS NOT SPECIFICALLY IDENTIFIED ARE CARBON FILM RESISTORS.
 - (12) NONFAMABLE RESISTOR
 - (13) METAL OXIDE RESISTOR
 - (14) CEMENT RESISTOR
 - (15) FUSEBLE RESISTOR
 - (16) THERMISTOR
 - (17) DC VOLTAGE ARE MEASURED TO THE CIRCUIT GROUND WITH A DIGITAL MULTIMETER TEST.
 - (18) WAVEFORMS ARE TAKEN WITH A NORMAL CONDITIONS.
 - (19) THIS CIRCUIT DIAGRAM IS SUBJECT TO CHANGE WITHOUT PRIOR NOTICE.
 - (20) ON THE SCHEMATIC SHOULD BE EXACT MANUFACTURER'S PARTS.

changez le diode

le comp - fait le report



- LOCAL COMMANDS FOR IC 701
1. MUTE
 2. PIC
 3. PIC UP
 4. PIC DN
 5. -
 6. -
 7. VL UP
 8. VL DN
 9. PNLG UP
 10. PNLG DN
 11. POWER
 12. SLEEP
 13. -
 14. 1V/AV
 15. -
 16. RECALL
 17. 1
 18. 2
 19. 3
 20. 4
 21. 5
 22. 6
 23. 7
 24. 8
 25. 9
 26. 0
 27. 1
 28. 2
 29. 3

- NOTE
- (1) ALL CAPACITORS ARE IN μ F UNLESS OTHERWISE NOTED
 - (2) CAPACITORS NOT SPECIFICALLY DESIGNATED ARE CERAMIC CAPACITOR
 - (3) ALL RESISTORS ARE IN OHM UNMATT UNLESS OTHERWISE NOTED
 - (4) RESISTORS NOT SPECIFICALLY DESIGNATED ARE CARBON FILM RESISTORS
- ELECTROLYTIC CAPACITOR
 BI-POLAR ELECTROLYTIC CAPACITOR
 TANTALUM CAPACITOR
 MYLAR CAPACITOR
 METALLIZED POLYESTER
 POLYESTER FILM CAPACITOR
 POLYPROPYLENE CAPACITOR
 NON-FAMMABLE RESISTOR
 METAL OXIDE RESISTOR
 CEMENT RESISTOR
 FUSIBLE RESISTOR
 THERMISTOR

- (5) DC VOLTAGE ARE MEASURED FROM POINTS INDICATED TO THE CIRCUIT GROUND WITH A DIGITAL MULTIMETER TEST
- (6) WAVEFORMS ARE TAKEN WITH SETTING CONTROLS TO A NORMAL CONDITION (COLOUR BAR PATTERN)
- (7) THIS CIRCUIT DIAGRAM IS SUBJECT TO CHANGE WITHOUT PRIOR NOTICE
- (8) ON THE SCHEMATIC SHOULD BE REPLACED WITH EXACT MANUFACTURER RECOMMENDED PARTS

ART-TECH VIDEO ENGINEERING LTD	
TITLE	SCHEMATIC DIAGRAM
MODEL GT-8821	SYSTEM PNL-SEGAM L/ BR. CABLE IV
DRAW NO 882106-01	COUNTRY
DATE 20-06-91	REV NO

*Se comp -
Oait horizontal*