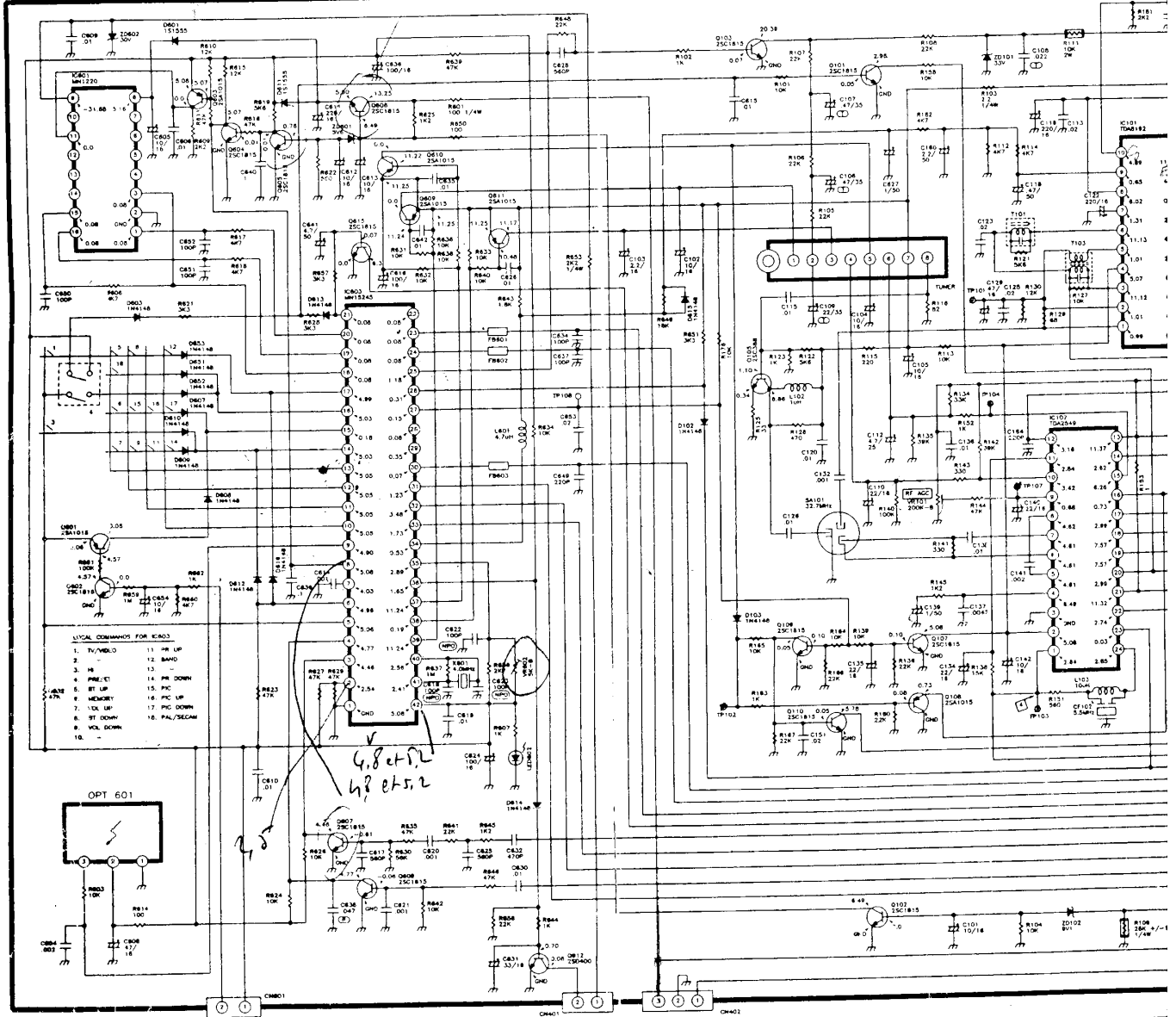


*di MS de-are pas  
Pas d'atim Pincer ut*

*voir a 65, a 60*

# SCHEMATIC DIAGRAM FOR PAL-SECAM SYSTEM

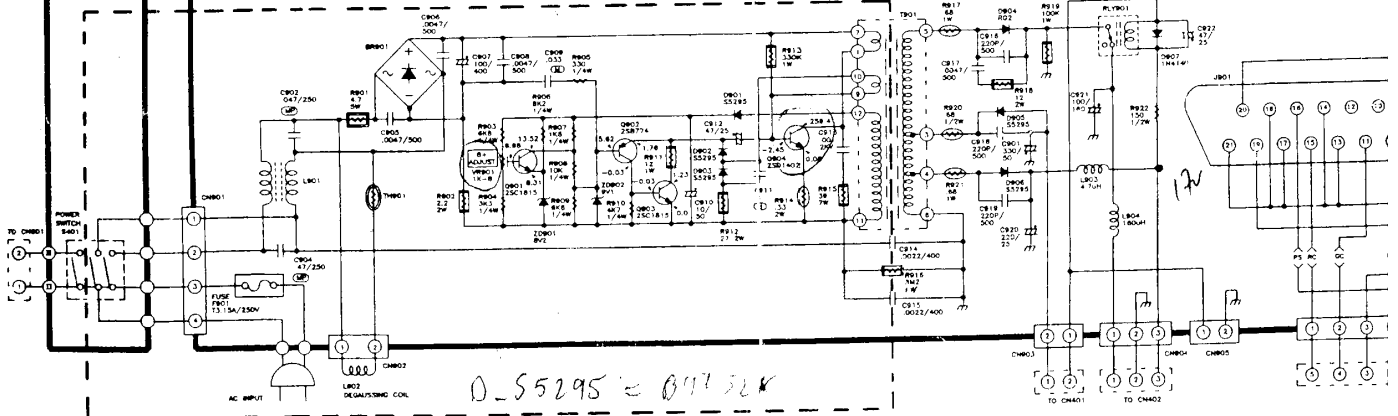
MAIN BOARD



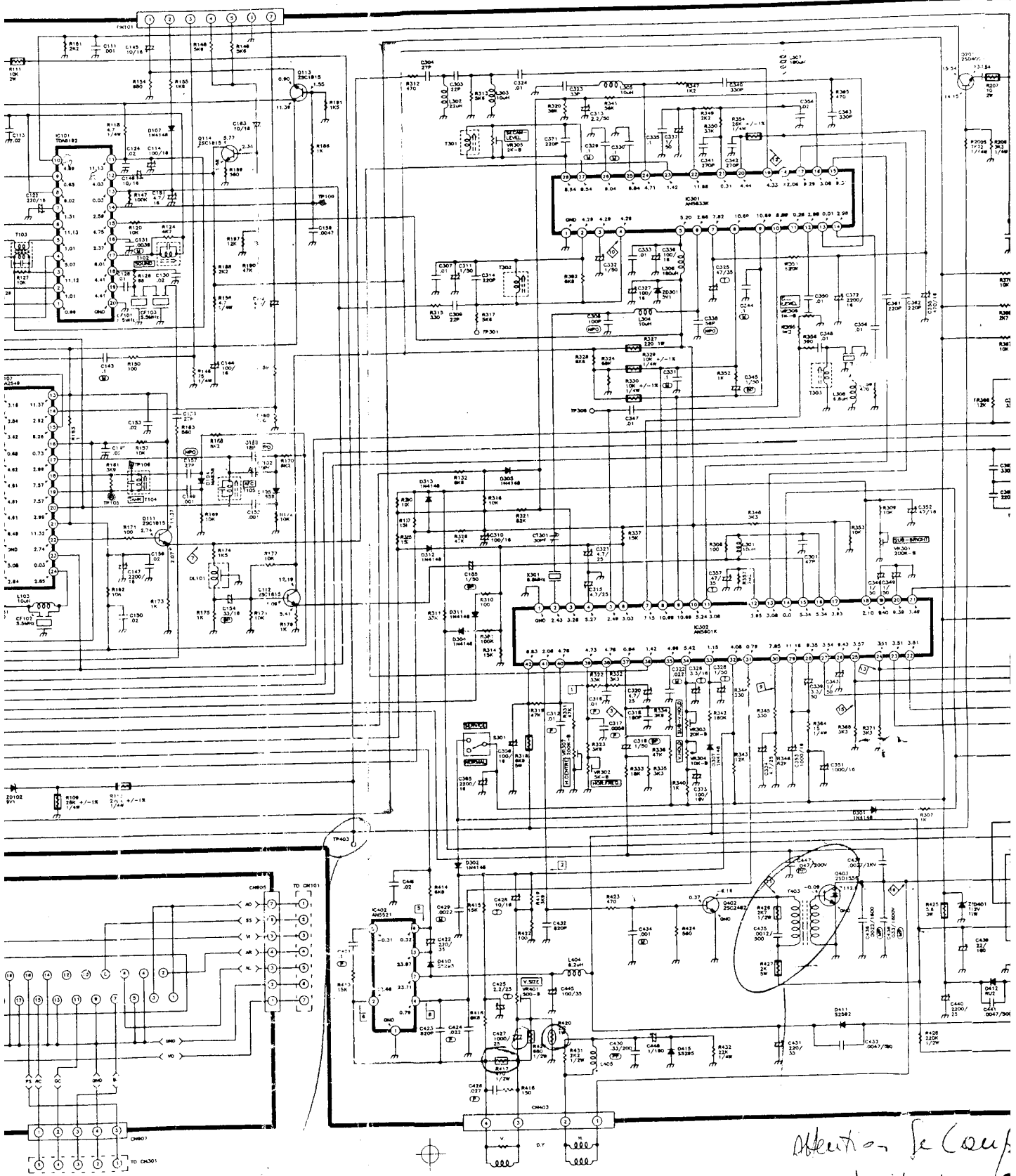
*4.8 et 5.2  
4.8 et 5.2*

SWITCH BOARD

POWER BOARD

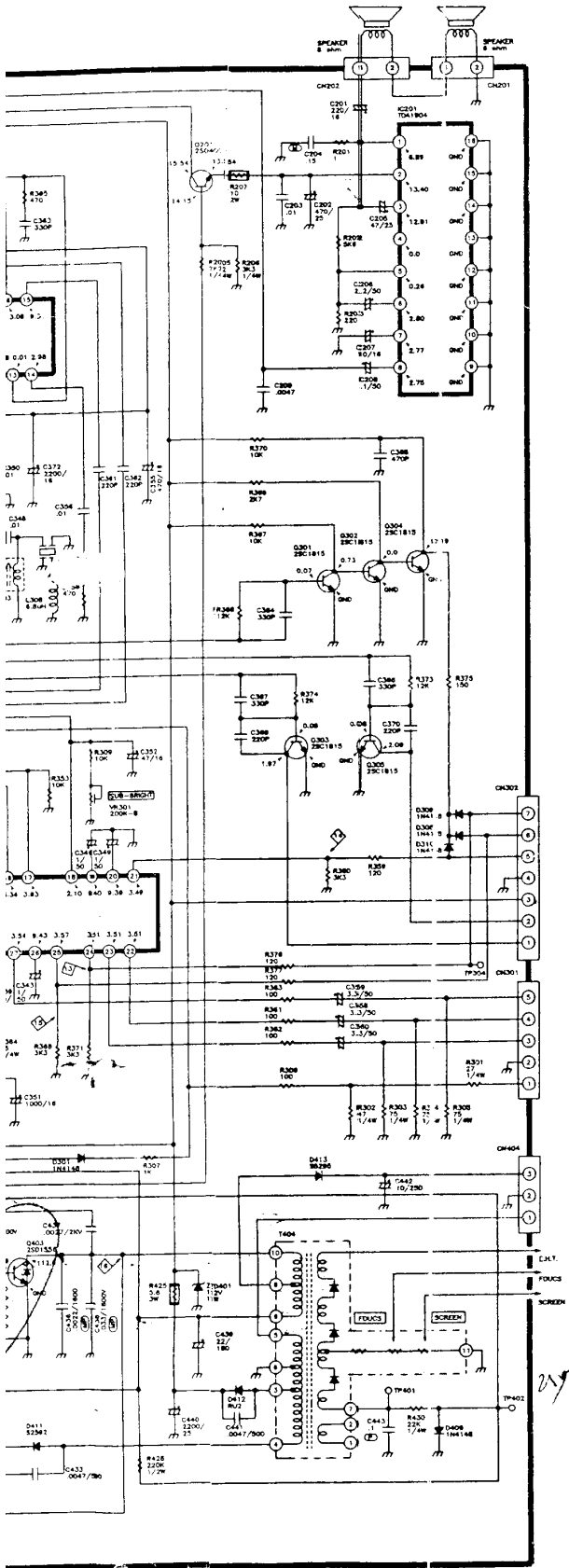


VRG-2 Réentrage des  
display (à décaler par Ex)

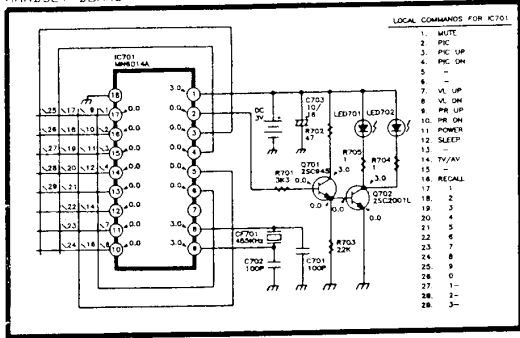


12.5V  
MONTÉ VRG02

Attention le Coup  
pas de U. sur ce  
transformer



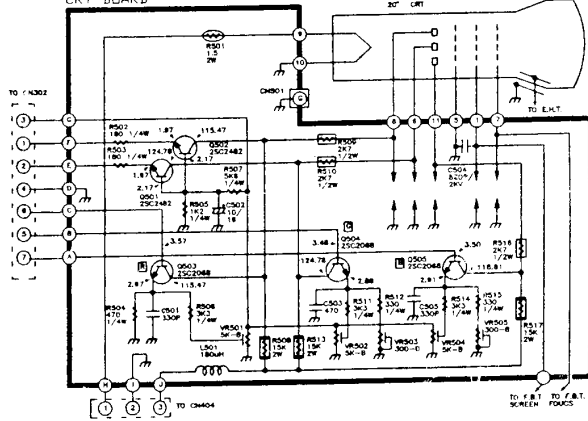
HANDSET BOARD



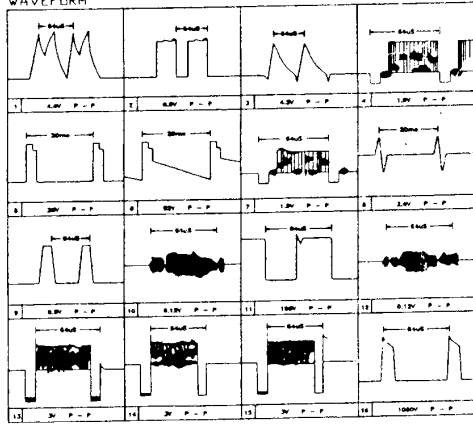
LOCAL COMMANDS FOR KT01

1.	MUTE
2.	PKC
3.	PKC UP
4.	PKC DN
5.	-
6.	-
7.	VL UP
8.	PR UP
9.	PR DN
10.	PR ON
11.	POWER
12.	SLEEP
13.	-
14.	TV/FAV
15.	-
16.	RECALL
17.	1
18.	2
19.	3
20.	4
21.	5
22.	6
23.	7
24.	8
25.	9
26.	0
27.	-
28.	-
29.	-

CRT BOARD



WAVEFORM



- NOTE:
- (1) ALL CAPACITORS ARE IN UF UNLESS OTHERWISE NOTED. ALL CAPACITORS ARE 50V UNLESS OTHERWISE NOTED.
  - (2) CAPACITOR NOT SPECIFICALLY DESIGNATED ARE CERAMIC CAPACITORS.
  - (3) ALL RESISTORS ARE IN OHM 1/16 WATT UNLESS OTHERWISE NOTED.
  - (4) RESISTOR NOT SPECIFICALLY DESIGNATED ARE CARBON FILM RESISTORS.
  - (5) DC VOLTAGE ARE MEASURED FROM POINTS INDICATED TO THE CIRCUIT GROUND WITH A DIGITAL MULTIMETER TEST.
  - (6) WAVEFORMS ARE TAKEN WITH SETTING CONTROLS TO A NORMAL CONDITIONS ( COLOR PHILIPS PATTERN ).
  - (7) THIS CIRCUIT DIAGRAM IS SUBJECT TO CHANGE WITHOUT PRIOR NOTICE.
  - (8) ⚠ SAFETY CRITICAL DEVICE.

CIRCUIT SYMBOLS

RESISTOR	CAPACITOR
NONFLAMMABLE	ELECTROLYTIC
FUSIBLE	POLYPROPYLENE
COBALT	B-POLAR ELECTROLYTIC
METAL OXIDE	MSLAR
THERMISTOR	METALLIZED POLYESTER
	POLYESTER FILM

KONG WAH VIDEO ENGINEERING LTD.

TITLE: SCHEMATIC DIAGRAM	
MODEL: K-3022	SYSTEM: PAL-SECAM-I
DRAW NO: 3022-08	COUNTRY: FRANCE
DATE: MAY 10, 1990	REV NO: A (1-2-91)

attention le couple  
is de U. sur collecteur  
transistor driver

2/19/555