

DAEWOO

Service Manual

Colour Television

CHASSIS: CM-900

Model: DTC-25G1VM (NO TXT)
DTC-29G1VM (NO TXT)
DTC-25G3VMR (NO TXT)
DTC-25G4VMS (NO TXT)
DTC-25G7VM (NO TXT)
DTC-29G1TM (TXT)
DTC-25G1TM (TXT)

✓ **Caution**

: In this Manual, some parts can be changed for improving, their performance without notice in the parts list. So, if you need the latest parts information, please refer to PPL(Parts Price List) in Service Information Center (<http://svc.dwe.co.kr>).

DAEWOO ELECTRONICS CO., LTD.



TABLE OF CONTENTS

SPECIFICATIONS	2
SAFETY INSTRUCTIONS	3
BLOCK DIAGRAM	4
ALIGNMENT INSTRUCTIONS	5
■ CM-900 CHASSIS ADJUSTMENT	5
■ SERVICE MODE	11
■ OTHER SERVICE FUNCTION	12
■ TEST SIGNAL SELECTION	13
■ SERVICE REMOTE CONTROLLER	14
PARTS LIST	15
DIFFERENCE PARTS LIST	29
PRINTED CIRCUIT BOARDS	31
EXPLODED VIEW	
■ DTC-25G1VM	32
■ DTC-29G1VM	33
■ DTC-29G3VMR	34
■ DTC-29G4VMS	35
■ DTC-2987VM	36
SCHEMATIC DIAGRAM	37

SPECIFICATIONS

STANDARD MODEL	DTC-25G1VM	DTC-29G1VM
TV STANDARD	PAL/SECAM-B/G, D/K, I, H, NTSC-4.43/3.58	
Mains Voltage	AC 110 - 250V, 50/60Hz	
Power Consumption	120W	145W
Sound Output Power	10W + 10W (AT 100% MOD, 10% THD)	
Speaker	12W 8 Ohms (Normal) X 2EA	
Antenna Impedance	75 Ohm unbalanced (DIN Standard)	
Tuning System	Voltage Synthesize Tuning System	
Number of Program	100 Channels	
Reception Channel	VHF - L : I1 - S8 CH (43.25 - 154.25MHz) VHF - H : S9 - S41 CH (161.25 - 463.25MHz) UHF : C13 - C57 CH (471.25MHz - 863.25MHz)	
Remote Control Unit	R-33C	
CRT	25 Inch	29 Inch
Weight	33Kg (SET)	45Kg (SET)
Indication	Program No. Display Tuning Voltage Display Video Input Display Analog Control Display (Color, Bright, Contrast, Sharpness, Tint, B/B-Back/Blue) Volume Control Display (Bass, Treble, Balance) Preset Display Clock Display NTSC state Display ON/OFF Timer Display Language Display	

SAFETY INSTRUCTIONS

NOTE

BEFORE SERVICING THIS CHASSIS, READ THE "X-RAY RADIATION PRECAUTION", "SAFETY PRECAUTION" AND "PRODUCT SAFETY NOTICE" BELOW.

X-RAY RADIATION PRECAUTION

1. Excessive high voltage can produce potentially hazardous X-RAY RADIATION. To avoid such hazards, the high voltage must not exceed the specified limit. The nominal value of the high voltage of this receiver is 26.5kv(25"), 29.5kv(29") at max beam current. The high voltage must not, under any circumstances, exceed 29.0kv (25"), 31.5kv(29"). Each time a receiver requires servicing, the high voltage should be checked. It is recommended the reading of the high voltage recorded as a part of the service records. It is important to use an accurate and reliable high voltage meter.
2. The only source of X-RAY Radiation in this TV receiver is the picture tube. For continuous RADIATION protection, the replacement tube must be exactly the same type tube as specified in the parts list.

SAFETY PRECAUTION

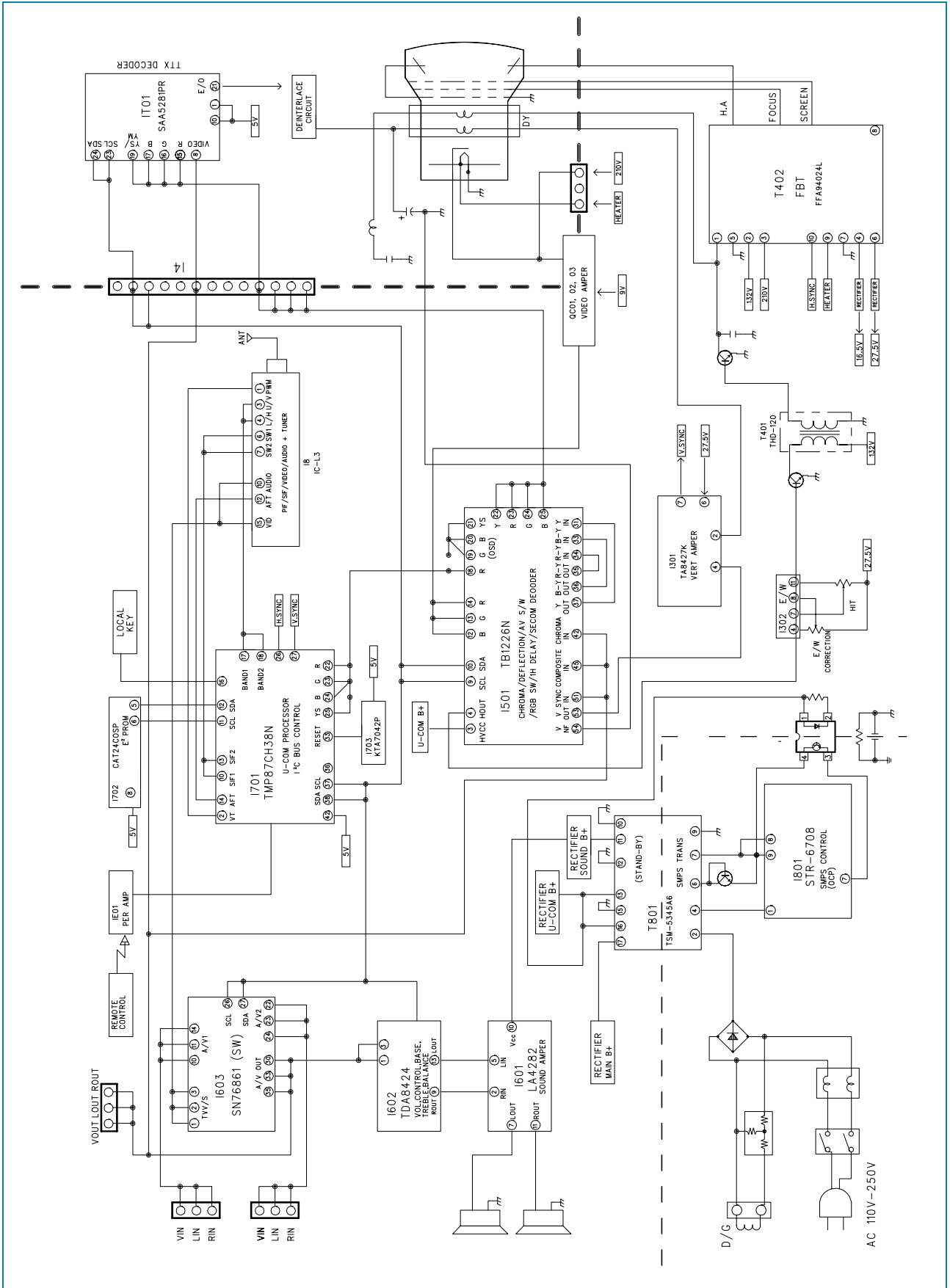
1. Potentials of high voltage are present when this receiver is operating. Operation of the receiver outside the cabinet or with the back cover removed involves a shock hazard from the receiver.
 - 1) Servicing should not be attempted by anyone who is not thoroughly familiar with the precautions necessary when working on high voltage equipment.
 - 2) Always discharge the picture tube to avoid the shock hazard before removing the anode cap.
 - 3) Discharge the high potential of the picture tube before handling the tube. The picture tube is highly evacuated and if broken, glass fragments will be violently expelled.
2. If any Fuse in this TV receiver is blown, replace it with the FUSE specified in the Replacement Parts List.
3. When replacing a high wattage resistor(oxide metal film resistor) in circuit board, keep the resistor 10mm away from circuit board.
4. Keep wires away from high voltage or high temperature components.
5. This receiver must operate between AC110-250volts, 50Hz/60Hz. NEVER connect to DC supply or any other power or frequency.

PRODUCT SAFETY NOTICE

Many electrical and mechanical parts in this chassis have special safety-related characteristics. These characteristics are often passed unnoticed by a visual inspection and the X-RAY RADIATION protection afforded by them cannot necessarily be obtained by using replacement components rated for higher voltage, wattage, etc. Replacement parts which have these special safety characteristics are identified in this manual and its

supplements, electrical components having such features are identified by designated symbol on the parts list. Before replacing any of these components, read the parts list in this manual carefully. The use of substitute replacement parts which do not have the same safety characteristics as specified in the parts list may create X-RAY Radiation.

BLOCK DIAGRAM



ALIGNMENT INSTRUCTIONS

■ CM-900 CHASSIS ADJUSTMENT

Application

- This prescribes the adjustment procedure for the optimum electrical performance of the CM-900 chassis color TV receiver

General Description

- The grade characteristics have to be marked on the test devices and measuring instruments.
- Fix these equipments previously which have enough performance to acknowledge the applied standard for each test items.
- Perform the adjustment when the chassis is in a fully stable state as long as no particular condition is specified.
- When adjusting this chassis, the environmental temperature $20 \pm 2^{\circ}\text{C}$, relative humidity $65 \pm 5\%$ and air pressure 860-1060mbar are suitable. As long as no particular condition is specified, however, it is possible to execute the adjustment at temperature $15-35^{\circ}\text{C}$, relative humidity 45-85% and air pressure 860-1060mbar.
- The strength of the applied input signal is dropped out voltage as long as no particular condition is specified.

Power Supply

- perform the adjustment within $\pm 10\%$ of the rate voltage.

Additional Remark

- In this test, the subject matter of the open/close applies in accordance with the technical standard control rule TESNO-001.

1. PCB ADJUSTMENT

1-1. Channel Presetting

CH	MEMORY CH.	SYSTEM	PATTERN
01	2	PAL -B	RETMA
02	4	PAL -B	DEM
03	5	PAL -B	CROSS HATCH
04	8	PAL -B	RED
05	10	PAL -B	COLOR BAR
06	12	SECAM -B	SECAM-COLOR
07	18	PAL -K	RETMA
08	21	PAL -G	R,B,W
09	25	PAL -G	COLOR BAR
10	31	PAL -I	COLOR BAR
11	38	PAL -I	DEM
12	51	PAL -I	RETMA
13	5	NTSC -M	COLOR BAR
14	8	NTSC -M	RETMA
15	10	NTSC -M	LADY

2. Initializing

- To use only when you change the EEPROM.
- Push the MUTE key of the user remote, at the same time push the MENU button on the Mask Front. And then it is a service mode.
- In service mode, as push the RECALL key of the user remote, at the same time push the CH UP button on the Mask Front. And then it is initialized.
- It is not necessary to product at a factory
- After initializing, turn off and then turn on the power.
- Refer 'SERVICE MODE'.

3. Screen Adjustment

- Receive the RETMA signal.
- Push the SCREEN ON key of the Service Remote and make to be displayed the Horizontal line.
- Do not adjust the color what this line is displayed, but add the other color data until the Horizontal line is white.
At this time to use R,G,B CUT OFF.
- After adjustment the Horizontal line is white, turn the screen VR of FBT until the Horizontal line disappear. (to the left)
- Push SCREEN OFF key of the service remote, it will be displayed as like 'Fig.1'.
- Push the NORMAL key or W/B key of service remote, then 'Fig.1' disappear.

▶	0	M.M
	127	G.G
	127	B.G
	127	R.C
	127	G.C
	127	B.C
	--	

<Fig. 1>

4. White Balance Adjustment

- Receive the RETMA signal
- Set all condition to the Normal I. (Push the NORMAL key of the service remote.)
- Connect the JIG for white balance adjustment.
- First, adjust high beam. Use G,B GAIN key of the service remote. (X=288, Y=301 for W/B)
- And then adjust low beam again using R,G,B CUT OFF key.
(At this time, if the high beam is changed, adjust again about two times.)
- If you adjust high beam and low beam at the same time, it is not any problem what is used first, R,G,B CUT OFF or G,B GAIN key.

5. Vertical / Horizontal Adjustment

- Receive the Retma signal (for PAL system)
- Set all condition to the Normal I. (Push the NORMAL key of the service remote.)

5-1. V-CENTER

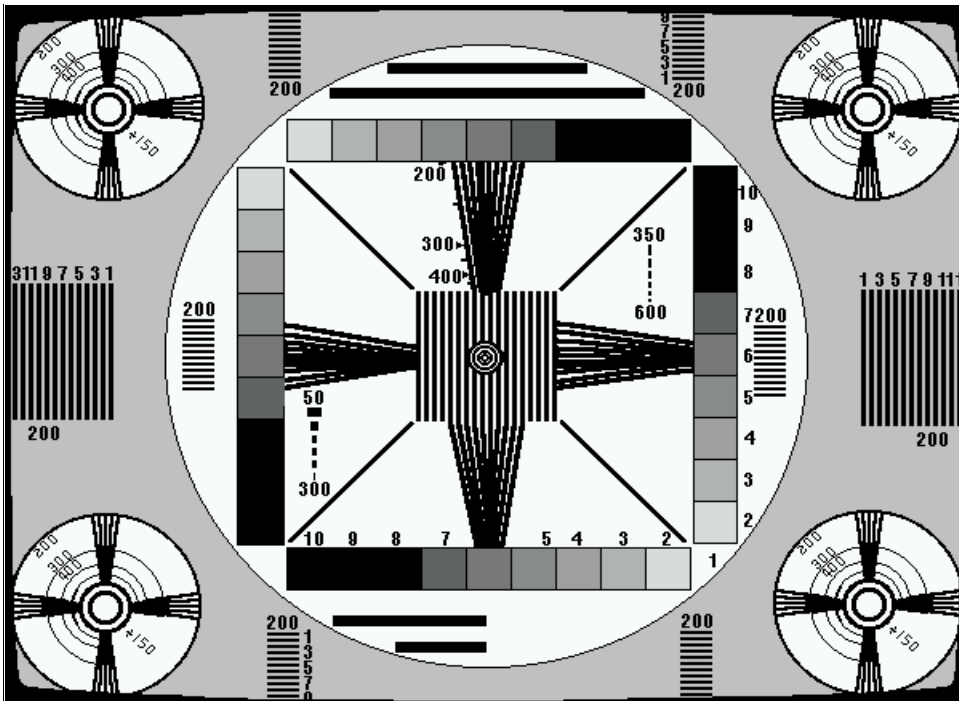
- Push the V.C(P/N) key of the service remote, then it is displayed like 'Fig 2'
- Adjust to use DATA UP/DOWN key so that the center of Retma Pattern may be located in the Vertical center of the CRT

8	H.P(P)
13	H.P(N)
▶ 0	V.C(P)
0	V.C(N)
71	V.H(P)
71	V.H(N)
2	V.L

<Fig. 2>

5-2. V-HEIGHT

- Push the V.H(P/N) key of the service remote, and the cursor indicate V.H(P) (Fig 2).
- Adjust to use DATA UP/DOWN key so that the Height number "9" may be seen at the edge above or below from the end of the CRT.



<Fig. 3>

5-3. V-LINEARITY

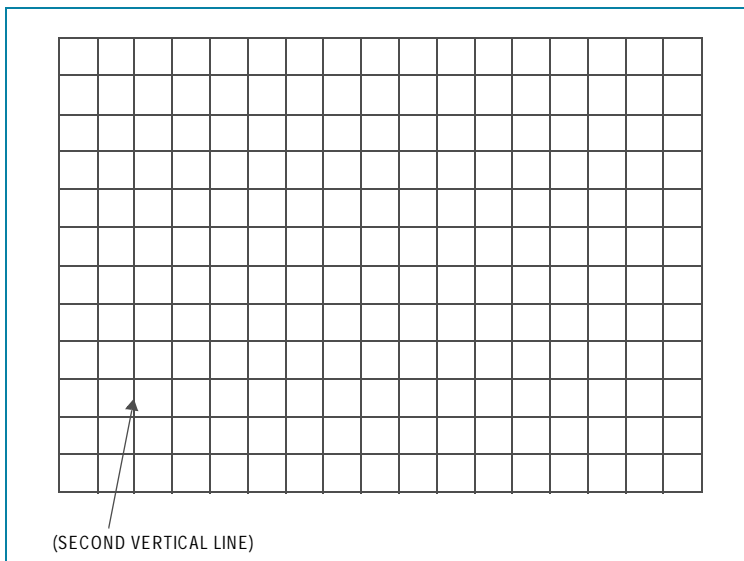
- Push the V.L key of the service remote, and the cursor indicate V.L (Fig 2).
- Adjust to use DATA UP/DOWN key so that the Retma Pattern is the most complete circle.

5-4. H-CENTER

- Push the H.P(P) key of the service remote, and the cursor indicate H.P(P) (Fig 2).
- Adjust to use DATA UP/DOWN key so that the Width number at the edge of left/ right side may be seen the same.

6. Pincusion Adjustment

- Receive the CROSS-HATCH signal.
- Turn E/W VR(R401) of the main PCB so that the second vertical line of the left side may be straightened. (like Fig.4)



<Fig. 4>

7. Width Adjustment

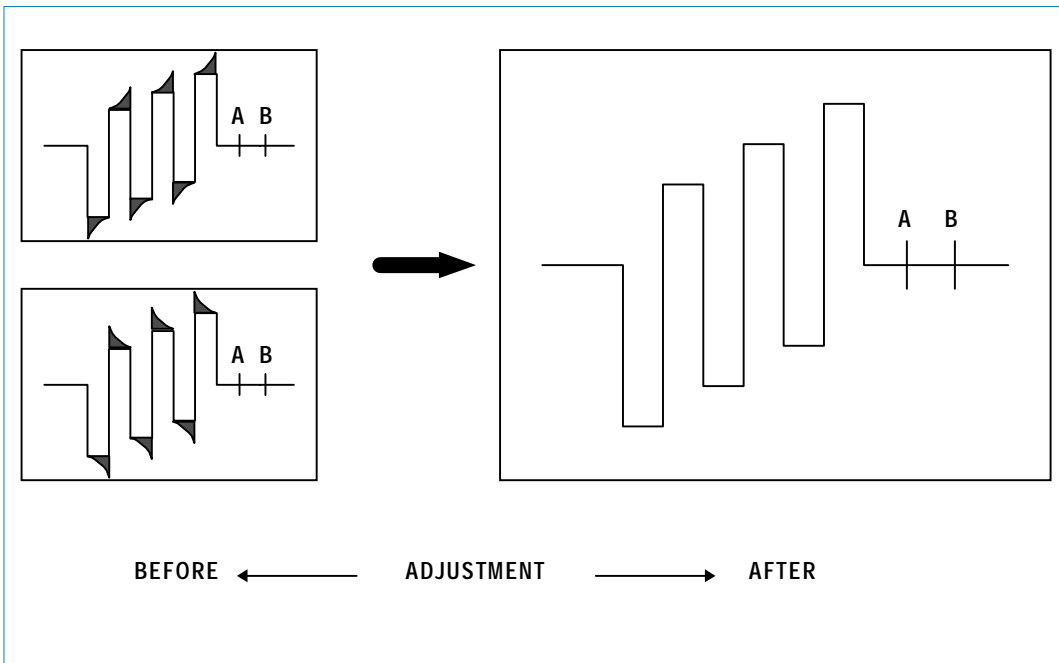
- Receive the Retma signal (for PAL system)
- Turn VR(R402) of the main PCB so that the Width number "11" may be seen at the edge of left and right side. (like Fig.3)

8. Secam Bell Filter Adjustment

- Receive the SECAM Color Bar signal
- Connect JIG to the Pin No.36 of TB1226N(I501)
- Push the SECAM key of the service remocon, then it is displayed like 'Fig 5'
- Move the cursor at B.F with ITEM key of the service remocon.
- Adjust to use DATA UP/DOWN key so that the wave form may be flat like Fig.6

	13	R.Y
	8	B.Y
▶	2	B.F
	--	
	--	
	--	
	--	

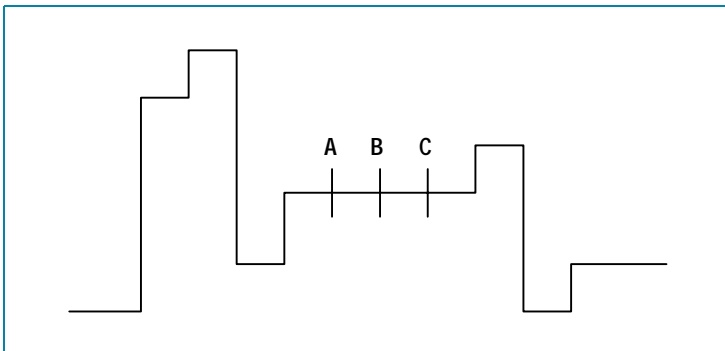
<Fig. 5>



<Fig. 6>

9. Secam White Balance Adjustment

- Receive the SECAM Color Bar signal
- Connect JIG to the Pin No.35 of TB1226N(I501)
- Push the SECAM key of the service remote, then it is displayed like 'Fig 5'
- Move the cursor at R-Y with ITEM key of the service remote.
- Adjust 'A','B' block is flat with 'C' using DATA UP/DOWN key like Fig 7.




<Fig. 7>

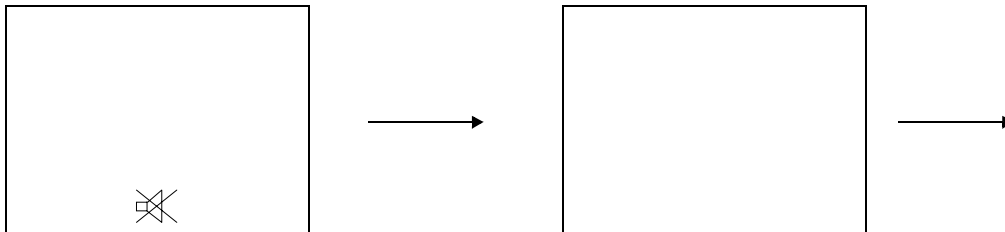
- Move the JIG to the Pin No.36 of TB1226N (I501).
- Move the cursor at B-Y with ITEM key of the service remote
- Adjust 'A','B' block is flat with 'C' using DATA UP/DOWN key like Fig 7.


■ SERVICE MODE

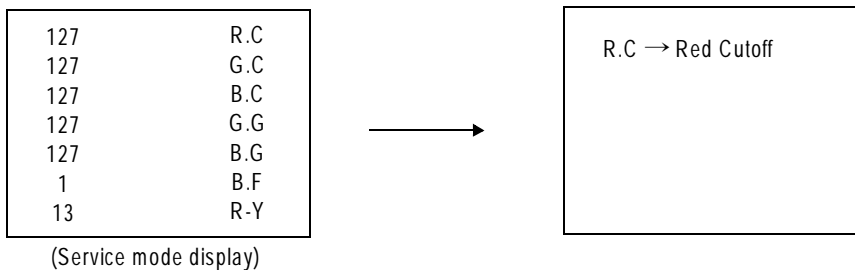
1. ENTERING TO SERVICE MODE (USE USER REMOTE CONTROL)

1) Press  button once on Remote control.



2) Press  button again to keep pressing.



3) Press MENU button on TV set, at the same time to keep pressing the  button



2. Selection the adjusting items

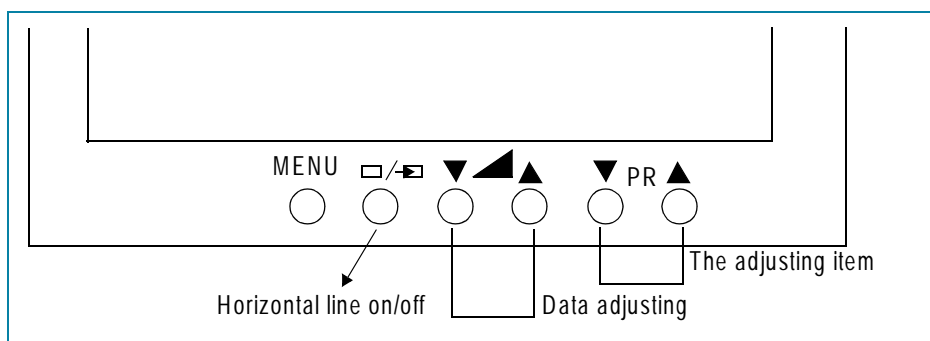
Every pressing of channel  button changes the adjustment items in the following order
( button for reverse order)

3. Adjusting the DATA

Pressing of volume  () will change the value of data.


4. EXIT from service mode


Press POWER button to turn off the TV once.



RECALL key
(in the Remote control)

(Keep pressing the Recal Button)

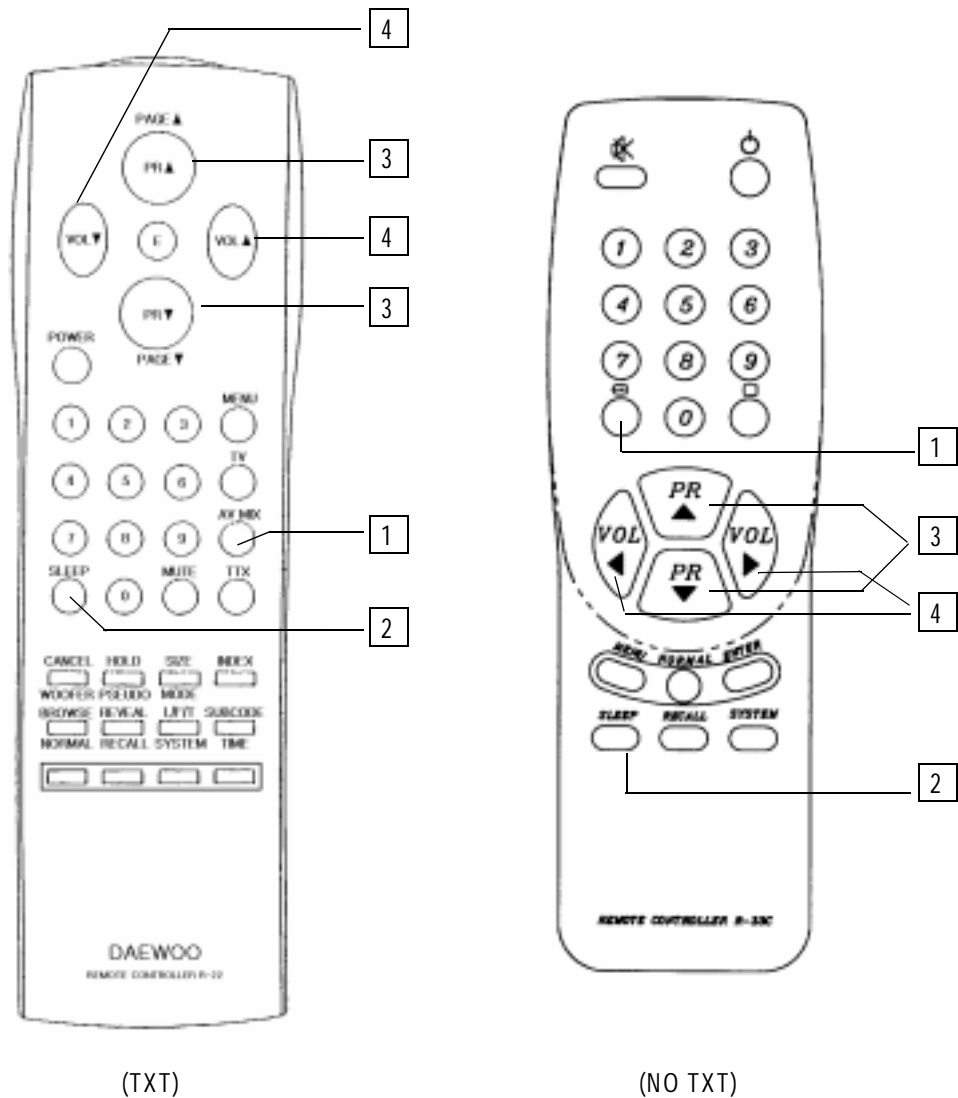
PR 
(in the TV Front Panel)

(Press the 'PR  ' button)

Initialization of the Memory
(1701)

■ OTHER SERVICE FUNCTION

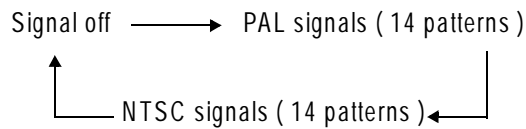
The following function key entry during display of adjustment menu provides special functions

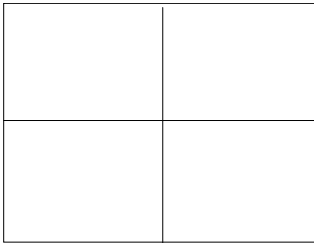
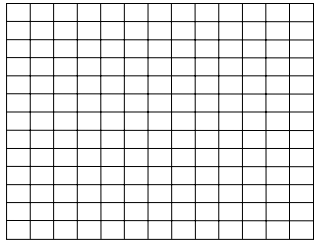
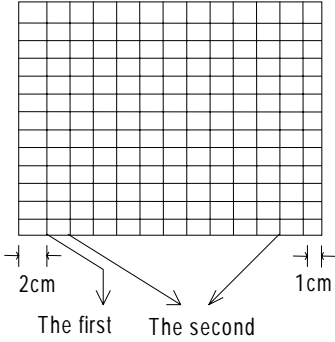


- ① Test signal selection
- ② Horizontal line ON/OFF
- ③ The adjusting item selection
- ④ +/- Data adjust

■ TEST SIGNAL SELECTION

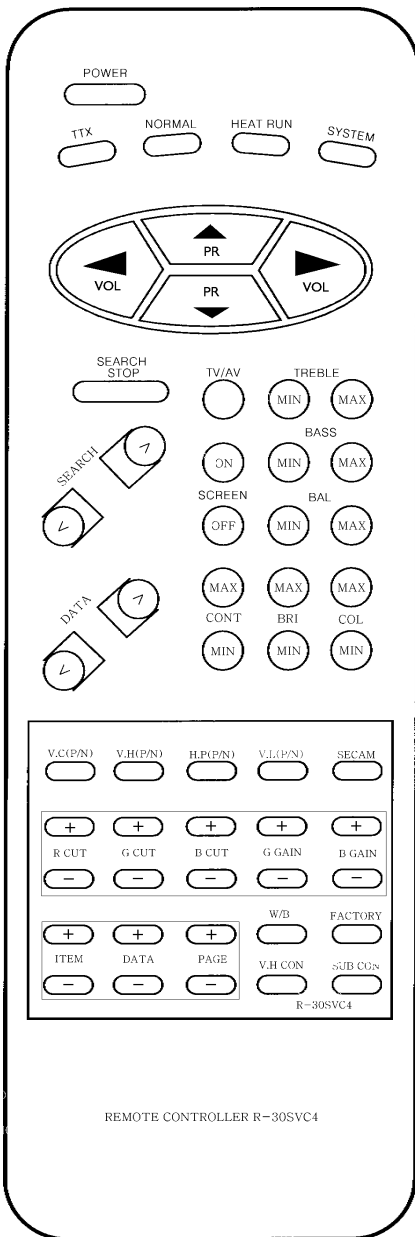
Every pressing of AV MIX button changes the test patterns on screen as described below.



ITEM	Adjustment procedure
Horizontal position adjustment P (P) : PAL H.P (N) : NTSC Vertical center adjustment C (P) : PAL H.C (N) : NTSC	<ol style="list-style-type: none"> 1. Set the TV in service mode and get black or white cross-bar signal with video button remote hard unit. 2. Select either H.P or V.C with PR ▲ , ▼ buttons and adjust horizontal or vertical picture position in the center of screen with volume ▲ , ▼ buttons. 
Vertical amplitude adjustment H (P) : PAL V.H (N) : NTSC	<ol style="list-style-type: none"> 1. Black or white cross-hatch 2. HIT → V.H CHANNEL → PR <p>The first →</p> 
Width adjustment R402 (only PAL) Pincushion adjustment R401(only PAL)	<ol style="list-style-type: none"> 1. Set the TV in service mode and get black or white cross-hatch signal with video button on remote hard unit. 2. Turn VR(R402) of the main PCB so that the first vertical line may be placed at 2cm from the edge of left side. 3. Turn E/W VR(R401) of the main PCB so that the second vertical line of the left side may be straightened. 

■ SERVICE REMOTE CONTROLLER

- Adjust whole service function without using user remote controller.
- The following box explains special keys.



KEY	OPERATION
POWER	To turn TV on/off
TTX	To select teletext
SEARCH STOP	To stop searching Channel
SCREEN ON/OFF	To make the Horizontal line
DATA (</>)	To change the directed data
V.C(P/N)	To adjust Vertical Cente. (P/N : PAL/NTSC)
V.H(P/N)	To adjust Vertical Height
H.P(P/N)	To adjust Horizontal Position
V.L(P/N)	To adjust Vertical Linearity
SECAM	To adjust SECAM
ITEM(+/-)	To move the directed cursor
DATA(+/-)	To change two kinds of data (PAL&NTSC)
PAGE(+/-)	To turn a page in a Factory mode
FACTORY	To select a Factory mode

PARTS LIST

✓ **Caution:** In this Service Manual, some parts can be changed for improving, their performance without notice in the parts list. So, if you need the latest parts information, please refer to PPL(Parts Price List) in Service information Center(<http://svc.dwe.co.kr>)

LOC.	PART CODE	PART NAME	PART DESCRIPTION
ZZ100	48B2833C03	TRANSMITTER REMOCON	R-33C03
ZZ110	PTACPWC971	ACCESSORY AS	DTC-29G1VM
20	4850A00150	TRANS ANT MATCHING	IMT-02
40	485869	MANUAL INSTRUCTION	DTC-29G1VM
100	47P7500001	BATTERY	AAM 1.5V
M822	48582138	BAG INSTRUCTION	L.D.P.E T0.05X250X400
ZZ120	PTBCSHC971	COVER BACK AS	DTC-29G1VM
M211	4852150422	COVER BACK	HIPS BK
M541	48554158	SPEC PLATE	150ART P/E FILM (C/TV)
M782	485781763	CLOTH BLACK	FELT T0.7 L=400
M783	485781761	CLOTH BLACK	FELT T0.7 L=300
ZZ130	PTPKCPC971	PACKING AS	DTC-29G1VM
M641	65200101	STAPLE PIN	18M/M J D O
M681	48568124	BAND	18MM X 3M
M801	485805225K	BOX CARTON	DW-3
M811	48581839	PAD	EPS 29G1
M821	48582156	BAG P.E	PE FOAM T0.5X1550X1270
ZZ131	58G0000094	COIL DEGAUSSING	DC-2901
ZZ132	48519A4210	CRT GROUND NET	2901H-1015-2P
ZZ140	PTCACAC971	CABINET AS	DTC-29G1VM
M191	485192961	BUTTON CTRL	4936410 5533900
M191A	7128301212	SCREW TAPPING	T2S WAS 3X12 MFZN BK
M201A	485601582	SCREW CRT FIX	SWRM SK5 L=35
M201B	4856215402	WASHER RUBBER	CR
M211A	7122401612	SCREW TAPPING	T2S TRS 4X16 MFZN BK
M211B	7128301212	SCREW TAPPING	T2S WAS 3X12 MFZN BK
M211C	7122401612	SCREW TAPPING	T2S TRS 4X16 MFZN BK
M481	4854851901	BUTTON POWER	ABS BK
M481A	4856716	SPRING	SWPA PIE0.5
M561	48556174SD	MARK BRAND	SILVER DIA-CUTTING
M682	48568163	CLAMP WIRE	NYLON 6 (V0)
M781	4857821102	CLOTH BLACK	FELT 340X10XT1.68
SP01A	7122401412	SCREW TAPPING	T2S TRS 4X14 MFZN BK
V901	485961806	CRT	A68KTB190X006 P38
ZZ200	PTFMSJC971	MASK FRONT AS	DTC-29G1VM
M201	4852064901	MASK FRONT	HIPS BK
ZZ202	PTSPWC971	SPEAKER AS	DTC-29G1VM
M681	4856812001	TIE CABLE	NYLON66 DA100
SP01	48A8304700	SPEAKER SYSTEM	SS-58126F01
ZZ290	PTMPMSC971	PCB MAIN MANUAL AS	DTC-29G1VM
C310	CEXF1V332V	C ELECTRO	35V RSS 3300MF 18X35.5
C322	CEYF1V222V	C ELECTRO	35V RSS 2200MF (16X31.5)
C401	CMYB2G514K	C MYLAR	400V EU 0.51MF K
C403	CMYH3C822J	C MYLAR	1.6KV BUP 8200PF J
C404	CMYH3C822J	C MYLAR	1.6KV BUP 8200PF J

LOC.	PART CODE	PART NAME	PART DESCRIPTION
C411	CEYD1H689V	C ELECTRO	50V RUB 6.8MF (16*35.5)
C413	CEYF2C221C	C ELECTRO	160V RUS 220MF (18X35.5)
C427	CMXM2A104J	C MYLAR	100V 0.1MF J (TP)
C801	CL1JB3474K	C LINE ACROSS	AC250V 0.47MF U/C/SNDF/SV
C812	CH1FFE222M	C CERA AC	4.0KV 2200PF M KD AC250V
C813	CEYN2G331P	C ELECTRO	400V LHS 330MF (30X45)
C814	CH1AEE472M	C CERA AC	2.5KV 4700PF M KH DE1307
C820	CBYB3D152K	C CERA SEMI	2KV BL(N) 1500PF K
C836	CEYN2D221T	C ELECTRO	200V FWS 220MF (22X30)
C842	CEYF1H222C	C ELECTRO	RUS 50V 2200MF 18*35.5
C843	CEYF1H222C	C ELECTRO	RUS 50V 2200MF 18*35.5
D401	DDG3-----	DIODE	DG3
D402	DRGP30J---	DIODE	RGP30J
D444	DDG3-----	DIODE	DG3
D706	DKLR114L--	LED	KLR114L
D801	PTA1SW5801	HEAT SINK ASS'Y	DPBS606GU- 7174301011
D801	DPBS606GU-	DIODE BRIDGE	PBS606GU
D801A	4857015801	HEAT SINK	SPCC-SN T1.0
D801B	7174301011	SCREW TAPPTITE	TT2 RND 3X10 MFZN
D811	DBYT56K---	DIODE	BYT56K
D812	DBYT56K---	DIODE	BYT56K
D815	DRGP30J---	DIODE	RGP30J
F801	5F3GB6322L	FUSE GLASS TUBE	V/S TL 6.3A 250V MF51
I301	PTA2SW6104	HEAT SINK ASS'Y	1TA8427K-- 7174301011
I301	1TA8427K--	IC	TA8427K
I301A	4857026104	HEAT SINK	AL EX BK
I301B	7174301011	SCREW TAPPTITE	TT2 RND 3X10 MFZN
I302	1EW-----	IC HYBRID	E/W
I501	1TB1226BN-	IC	TB1226BN
I502	1K1A7812P1	IC REGULATOR	KIA7812PI
I503	1K1A7809--	IC REGULATOR	KIA7809
I601	PTA2SW3332	HEAT SINK ASS'Y	1LA4282--- 7128301011
	11LA4282---	IC	LA4282
0000A	4857023332	HEAT SINK	AL EX
0000B	7128301011	SCREW TAPPING	T2S WAS 3X10 MFZN
I602	1TDA8424--	IC AUDIO	TDA8424
I603	1SN76861NJ	IC	SN76861NJ-12
I701	1TMP87PS38	IC MICOM	TMP87PS38N
I702	124LC08B--	IC MEMORY	24LC08B
I704	PTH2SW6900	HEAT SINK ASS'Y	1KA7805--- 7174301011
	11KA7805---	IC REGULATOR	KA7805
0000A	48570269	HEAT SINK	AL EX
0000B	7174301011	SCREW TAPPTITE	TT2 RND 3X10 MFZN
I705	1TFMW5380-	IC PREAMP	TFMW5380
I801	PTL2SW6500	HEAT SINK ASS'Y	1STR6708-- 7174301211

LOC.	PART CODE	PART NAME	PART DESCRPTION
I801	1STRS6708-	IC POWER	STR-S6708
I801A	48570265	HEAT SINK	AL EX
I801B	7174301211	SCREW TAPPTITE	TT2 RND 3X12 MFZN
I802	1SE130N---	IC	SE130N
I805	1LTV817C--	IC PHOTO COUPLER	LTV-817C
JV02	485910845	JACK PIN BOARD	YSC03P-4120-14A
JV03	485910705	JACK PIN BOARD	PH-JB-9601 (PH06P-4120-C)
L401	58H0000039	COIL H-LINEARITY	TRL-200D
L402	58W0000018	COIL WIDTH	TLN-2092
L404	58C7070085	COIL CHOKE	TLN-3062A
L801	5PLF30A1--	FILTER LINE	LF-30A1
L811	58C4500079	COIL CHOKE	L-45
L812	58C4500079	COIL CHOKE	L-45
M352	4853530901	HOLDER LED	P.P
M371	48537478	RETA PCB	NYLON 66
M681	4856812001	TIE CABLE	NYLON66 DA100
P401	485924012	CONN WAFER	YFW500-06
P801	485924222	CONN WAFER	YFW800-02
P802	485924222	CONN WAFER	YFW800-02
P802A	485990291	CORD POWER AS	KKP419C BL102NG TUBE=2100
A000	4859901111	CORD POWER	KKP-419C KLCE-2F (2.1ME)
Q401	TKTC3208--	TR	KTC3208
Q402	PTL2SW4502	HEAT SINK ASS`Y	T2SD2251-- 7174301011
Q402	T2SD2251--	TR	2SD2251
Q402A	4857024502	HEAT SINK	AL EX
Q402B	7174301211	SCREW TAPPTITE	TT2 RND 3X12 MFZN
Q402D	4856215201	WASHER	SPCC
Q403	PTM2SW4502	HEAT SINK ASS`Y	TKTD2058Y- 7174301211
Q403	TKTD2058Y-	TR	KTD 2058-Y
Q403A	4857024502	HEAT SINK	AL EX
Q403B	7174301211	SCREW TAPPTITE	TT2 RND 3X12 MFZN
Q403C	4856215201	WASHER	SPCC
Q801	T2SC4793--	TR	2SC4793
Q802	TKTA1659Y-	TR	KTA 1659-Y
R407	RX10T402J-	R CEMENT	10W 4K OHM J TRIPOD
R431	DR320K----	THERMISTOR	R-320K
R801	DJ140M290L	POSISTOR	J503P53D140M290L
R802	RX10T109J-	R CEMENT	10W 1 OHM J TRIPOD
R803	RX10T109J-	R CEMENT	10W 1 OHM J TRIPOD
R812	RM02Y158J-	R METAL FLAT	2W 0.15 OHM J
SW801	5S40202080	SW PUSH	PS3-22 (PCB)
T401	5TD0000018	TRANS DRIVE	THD-120
T402	50H0000168	FBT	FFA94024L
T402A	7128301212	SCREW TAPPING	T2S WAS 3X12 MFZN BK
T802	50M5345A60	TRANS SMPS	TSM-5345A6

LOC.	PART CODE	PART NAME	PART DESCRIPTION
TU01	485971723	TUNER VARACTOR	UHF111
W001	WBNZBK2515	WIRE LEAD 1617	AWG22 17/0.16 BK 5-250-5
X501	5XE16R200E	CRYSTAL QUARTZ	HC-49/U 16.20000MHZ 30PPM
X701	5XE8R0000E	CRYSTAL QUARTZ	HC-49/U 8.000000MHZ 30PPM
Y801	5SC0101327	SW RELAY	DJ12D1-0(M)-0.25W
Z801	DSVC471D14	VARISTOR	SVC471D14A
ZZ200	PTMPJ0C971	PCB MAIN (RHU) AS	DTC-29G1VM
C402	CMXB2D683J	C MYLAR	200V EU 0.068MF J (TP)
C405	CMXE2G273J	C MYLAR	400V PU 0.027MF J (TP)
C410	CEXF1H101V	C ELECTRO	50V RSS 100MF (8X11.5) TP
C416	CEXF1V102V	C ELECTRO	35V RSS 1000MF (13X25) TP
C426	CEXF1E222C	C ELECTRO	25V RUS 2200MF (16X25) TP
C472	CEXF1E102V	C ELECTRO	25V RSS 1000MF (13X20) TP
C473	CEXF1E471V	C ELECTRO	25V RSS 470MF (10X16) TP
C477	CEXF1E471V	C ELECTRO	25V RSS 470MF (10X16) TP
C651	CEXF1V102V	C ELECTRO	35V RSS 1000MF (13X25) TP
C652	CEXF1V102V	C ELECTRO	35V RSS 1000MF (13X25) TP
C659	CEXF1E102V	C ELECTRO	25V RSS 1000MF (13X20) TP
C663	CEXF1H102V	C ELECTRO	50V RSS 1000MF (16X25) TP
C691	CEXF1C222V	C ELECTRO	16V RSS 2200MF (13X25) TP
C714	CEXF1C102V	C ELECTRO	16V RSS 1000MF (10X20) TP
C772	CEXF1C222V	C ELECTRO	16V RSS 2200MF (13X25) TP
C773	CEXF1E471V	C ELECTRO	25V RSS 470MF (10X16) TP
C811	CEXF1E471V	C ELECTRO	25V RSS 470MF (10X16) TP
C831	CCXB3A102K	C CERA	1KV B 1000PF K (TAPPING)
C838	CEXF2C100C	C ELECTRO	160V RUS 10MF (10X16)TP
C841	CEXF1E222C	C ELECTRO	25V RUS 2200MF (16X25) TP
ZZ200	PTMPJBC971	PCB MAIN M-10 AS	DTC-29G1VM
P402	485923162S	CONN WAFER	YW025-03 (STICK)
P403	485923182S	CONN WAFER	YW025-05 (STICK)
P601	485923172S	CONN WAFER	YW025-04 (STICK)
R321	RF01Z109J-	R FUSIBLE	1W 1 OHM J (TAPPING)
R403	RS01Z102J-	R M-OXIDE FILM	1W 1K OHM J (TAPPING)
R410	RS02Z183JS	R M-OXIDE FILM	2W 18K OHM J SMALL
R423	RF01Z109J-	R FUSIBLE	1W 1 OHM J (TAPPING)
R491	RF01Z109J-	R FUSIBLE	1W 1 OHM J (TAPPING)
R492	RF02Z439J-	R FUSIBLE	2W 4.3 OHM J (TAPPING)
R691	RS01Z390J-	R M-OXIDE FILM	1W 39 OHM J (TAPPING)
R831	RF02Z278J-	R FUSIBLE	2W 0.27 OHM J (TAPPING)
R832	RF01Z338J-	R FUSIBLE	1W 0.33 OHM J (TAPPING)
R833	RF01Z688J-	R FUSIBLE	1W 0.68 OHM J (TAPPING)
R836	RS01Z681J-	R M-OXIDE FILM	1W 680 OHM J (TAPPING)
ZZ200	PTMPJRC971	PCB MAIN RADIAL AS	DTC-29G1VM
C301	CMXL1J104J	C MYLAR	63V MEU 0.1MF J
C304	CMXM2A223J	C MYLAR	100V 0.022MF J TP

LOC.	PART CODE	PART NAME	PART DESCRIPTION
C306	CEXF1E221V	C ELECTRO	25V RSS 220MF (8X11.5) TP
C307	CMXM2A102J	C MYLAR	100V 1000PF J (TP)
C308	CEXF1H229V	C ELECTRO	50V RSS 2.2MF (5X11) TP
C311	CCXF1H103Z	C CERA	50V F 0.01MF Z (TAPPING)
C321	CCXB2H102K	C CERA	500V B 1000PF K (TAPPING)
C351	CEXF1H229V	C ELECTRO	50V RSS 2.2MF (5X11) TP
C352	CCXB1H152K	C CERA	50V B 1500PF K (TAPPING)
C406	CCXB2H271K	C CERA	500V B 270PF K (TAPPING)
C408	CCXB2H102K	C CERA	500V B 1000PF K (TAPPING)
C409	CCXF2H103Z	C CERA	HIKF 500V 0.01MF Z
C412	CEXF1H470C	C ELECTRO	50V RUS 47MF (6.3X11) TP
C414	CMXL1J104J	C MYLAR	63V MEU 0.1MF J
C415	CMXL1J104J	C MYLAR	63V MEU 0.1MF J
C417	CMXB1H563J	C MYLAR	50V EU 0.056MF J (TP)
C422	CMXM2A472J	C MYLAR	100V 4700PF J (TP)
C423	CCXB2H271K	C CERA	500V B 270PF K (TAPPING)
C424	CCXB2H102K	C CERA	500V B 1000PF K (TAPPING)
C425	CCXB1H681K	C CERA	50V B 680PF K (TAPPING)
C428	CMXM2A103J	C MYLAR	100V 0.01MF J (TP)
C451	CMXL1J334J	C MYLAR	63V MEU 0.33MF J (TP)
C452	CEXF1H229V	C ELECTRO	50V RSS 2.2MF (5X11) TP
C453	CCXB1H221K	C CERA	50V B 220PF K (TAPPING)
C454	CCXF1H103Z	C CERA	50V F 0.01MF Z (TAPPING)
C471	CCXF1H103Z	C CERA	50V F 0.01MF Z (TAPPING)
C474	CCXF1H103Z	C CERA	50V F 0.01MF Z (TAPPING)
C475	CCXF1H103Z	C CERA	50V F 0.01MF Z (TAPPING)
C476	CCXF1H103Z	C CERA	50V F 0.01MF Z (TAPPING)
C491	CCXB2H102K	C CERA	500V B 1000PF K (TAPPING)
C501	CCXF1H103Z	C CERA	50V F 0.01MF Z (TAPPING)
C502	CCXF1H103Z	C CERA	50V F 0.01MF Z (TAPPING)
C503	CEXF1E470V	C ELECTRO	25V RSS 47MF (5X11) TP
C504	CEXF1H229V	C ELECTRO	50V RSS 2.2MF (5X11) TP
C505	CCXF1H103Z	C CERA	50V F 0.01MF Z (TAPPING)
C506	CEXF1E470V	C ELECTRO	25V RSS 47MF (5X11) TP
C507	CEXF1H479V	C ELECTRO	50V RSS 4.7MF (5X11) TP
C508	CMXB1H104J	C MYLAR	50V EU 0.1MF J (TP)
C509	CMXM2A103J	C MYLAR	100V 0.01MF J (TP)
C510	CEXF1H229V	C ELECTRO	50V RSS 2.2MF (5X11) TP
C511	CMXL1J104J	C MYLAR	63V MEU 0.1MF J
C512	CMXL1J104J	C MYLAR	63V MEU 0.1MF J
C513	CMXL1J104J	C MYLAR	63V MEU 0.1MF J
C514	CCXF1H103Z	C CERA	50V F 0.01MF Z (TAPPING)
C515	CEXF1H100V	C ELECTRO	50V RSS 10MF (5X11) TP
C516	CEXF1H109V	C ELECTRO	50V RSS 1MF (5X11) TP
C517	CEXF1E101V	C ELECTRO	25V RSS 100MF (6.3X11) TP

LOC.	PART CODE	PART NAME	PART DESCRIPTION
C518	CEXF1H100V	C ELECTRO	50V RSS 10MF (5X11) TP
C519	CCXF1H103Z	C CERA	50V F 0.01MF Z (TAPPING)
C520	CEXF1H479V	C ELECTRO	50V RSS 4.7MF (5X11) TP
C521	CMXL1J104J	C MYLAR	63V MEU 0.1MF J
C522	CXCH1H809D	C CERA	50V CH 8PF D (TAPPING)
C523	CEXF1H479V	C ELECTRO	50V RSS 4.7MF (5X11) TP
C524	CMXM2A103J	C MYLAR	100V 0.01MF J (TP)
C525	CEXF1H338V	C ELECTRO	50V RSS 0.33MF (5X11) TP
C526	CMXL1J104J	C MYLAR	63V MEU 0.1MF J
C527	CEXF1H109V	C ELECTRO	50V RSS 1MF (5X11) TP
C601	CEXF1E470V	C ELECTRO	25V RSS 47MF (5X11) TP
C602	CEXF1H100V	C ELECTRO	50V RSS 10MF (5X11) TP
C603	CEXF1H100V	C ELECTRO	50V RSS 10MF (5X11) TP
C604	CEXF1H100V	C ELECTRO	50V RSS 10MF (5X11) TP
C605	CEXF1H100V	C ELECTRO	50V RSS 10MF (5X11) TP
C606	CEXF1H100V	C ELECTRO	50V RSS 10MF (5X11) TP
C607	CEXF1H100V	C ELECTRO	50V RSS 10MF (5X11) TP
C608	CEXF1H100V	C ELECTRO	50V RSS 10MF (5X11) TP
C609	CEXF1H100V	C ELECTRO	50V RSS 10MF (5X11) TP
C610	CEXF1H100V	C ELECTRO	50V RSS 10MF (5X11) TP
C611	CEXF1H339V	C ELECTRO	50V RSS 3.3MF (5X11) TP
C612	CEXF1H339V	C ELECTRO	50V RSS 3.3MF (5X11) TP
C613	CEXF1H100V	C ELECTRO	50V RSS 10MF (5X11) TP
C614	CEXF1H220V	C ELECTRO	50V RSS 22MF (5X11) TP
C615	CEXF1E101V	C ELECTRO	25V RSS 100MF (6.3X11) TP
C616	CMXB1H104J	C MYLAR	50V EU 0.1MF J (TP)
C617	CEXF1H100V	C ELECTRO	50V RSS 10MF (5X11) TP
C653	CEXF1E470V	C ELECTRO	25V RSS 47MF (5X11) TP
C654	CEXF1H100V	C ELECTRO	50V RSS 10MF (5X11) TP
C655	CMXM2A473J	C MYLAR	100V 0.047MF J (TP)
C656	CEXF1H100V	C ELECTRO	50V RSS 10MF (5X11) TP
C657	CEXF1E470V	C ELECTRO	25V RSS 47MF (5X11) TP
C658	CMXM2A473J	C MYLAR	100V 0.047MF J (TP)
C660	CMXB1H104J	C MYLAR	50V EU 0.1MF J (TP)
C661	CEXF1E101V	C ELECTRO	25V RSS 100MF (6.3X11) TP
C662	CMXB1H104J	C MYLAR	50V EU 0.1MF J (TP)
C671	CMXB1H104J	C MYLAR	50V EU 0.1MF J (TP)
C672	CEXF1E101V	C ELECTRO	25V RSS 100MF (6.3X11) TP
C673	CMXB1H104J	C MYLAR	50V EU 0.1MF J (TP)
C674	CMXB1H104J	C MYLAR	50V EU 0.1MF J (TP)
C675	CEXF1E101V	C ELECTRO	25V RSS 100MF (6.3X11) TP
C676	CMXM2A333J	C MYLAR	100V 0.033MF J (TP)
C677	CMXM2A562J	C MYLAR	100V 5600PF J (TP)
C678	CEXF1H229V	C ELECTRO	50V RSS 2.2MF (5X11) TP
C679	CEXF1H229V	C ELECTRO	50V RSS 2.2MF (5X11) TP

LOC.	PART CODE	PART NAME	PART DESCRIPTION
C680	CMXM2A562J	C MYLAR	100V 5600PF J (TP)
C681	CMXM2A333J	C MYLAR	100V 0.033MF J (TP)
C692	CCXF1H103Z	C CERA	50V F 0.01MF Z (TAPPING)
C701	CXCH1H331J	C CERA	50V CH 330PF J (TAPPING)
C702	CCXF1H103Z	C CERA	50V F 0.01MF Z (TAPPING)
C703	CEXF1E470V	C ELECTRO	25V RSS 47MF (5X11) TP
C704	CXCH1H220J	C CERA	50V CH 22PF J (TAPPING)
C705	CXCH1H220J	C CERA	50V CH 22PF J (TAPPING)
C706	CXCH1H330J	C CERA	50V CH 33PF J (TAPPING)
C707	CXCH1H330J	C CERA	50V CH 33PF J (TAPPING)
C708	CEXF1H100V	C ELECTRO	50V RSS 10MF (5X11) TP
C710	CCXB1H101K	C CERA	50V B 100PF K (TAPPING)
C713	CCXF1H103Z	C CERA	50V F 0.01MF Z (TAPPING)
C716	CEXF1E470V	C ELECTRO	25V RSS 47MF (5X11) TP
C771	CCXF1H103Z	C CERA	50V F 0.01MF Z (TAPPING)
C774	CCXF1H103Z	C CERA	50V F 0.01MF Z (TAPPING)
C803	CCXF3A472Z	C CERA	1KV F 4700PF Z (T)
C804	CCXF3A472Z	C CERA	1KV F 4700PF Z (T)
C805	CCXF3A472Z	C CERA	1KV F 4700PF Z (T)
C806	CCXF3A472Z	C CERA	1KV F 4700PF Z (T)
C808	CEXF1E101V	C ELECTRO	25V RSS 100MF (6.3X11) TP
C809	CEXF2A100C	C ELECTRO	RUS 100V 10MF 5*11
C810	CCXB2H102K	C CERA	500V B 1000PF K (TAPPING)
C832	CCXB3A102K	C CERA	1KV B 1000PF K (TAPPING)
C833	CCXB2H102K	C CERA	500V B 1000PF K (TAPPING)
C834	CCXB2H102K	C CERA	500V B 1000PF K (TAPPING)
C837	CCXB2H102K	C CERA	500V B 1000PF K (TAPPING)
C839	CMXL1J334J	C MYLAR	63V MEU 0.33MF J (TP)
C840	CMXL1J104J	C MYLAR	63V MEU 0.1MF J
C844	CMXB1H104J	C MYLAR	50V EU 0.1MF J (TP)
D404	1UPC574J--	IC	UPC574J
F801A	4857415001	CLIP FUSE	PFC5000-0702
F801B	4857415001	CLIP FUSE	PFC5000-0702
I703	1K1A7042P-	IC SWITCH	KIA7042P
Q501	TKTA1266Y-	TR	KTA1266Y (TP)
Q602	TKTC3198Y-	TR	KTC3198Y
Q603	TKTC3198Y-	TR	KTC3198Y
Q604	TKTC3198Y-	TR	KTC3198Y
Q608	TKTC3198Y-	TR	KTC3198Y
Q671	TKTC3198Y-	TR	KTC3198Y
Q672	TKTC3198Y-	TR	KTC3198Y
Q701	TKTC3198Y-	TR	KTC3198Y
Q702	TKTC3198Y-	TR	KTC3198Y
Q703	TKTC3198Y-	TR	KTC3198Y
Q704	TKTC3198Y-	TR	KTC3198Y

LOC.	PART CODE	PART NAME	PART DESCRIPTION
Q705	TKTC3198Y-	TR	KTC3198Y
Q706	TKTC3198Y-	TR	KTC3198Y
Q707	TKTC3198Y-	TR	KTC3198Y
Q803	TKTC3198Y-	TR	KTC3198Y
Q804	TKTC3198Y-	TR	KTC3198Y
Q805	TKTC3198Y-	TR	KTC3198Y
Q807	TKTC3198Y-	TR	KTC3198Y
QT08	TKTC3198Y-	TR	KTC3198Y
R301	RN01B181JS	R METAL FILM	1W 180 OHM J SMALL
R308	RN01B109JS	R METAL FILM	1W 1 OHM J SMALL
R333	RN02B182JS	R METAL FILM	2W 1.8K OHM J SMALL
R401	RV5426223P	R SEMI FIXED	RH0638C 22K OHM
R402	RV5426223P	R SEMI FIXED	RH0638C 22K OHM
R404	RN01B472JS	R METAL FILM	1W 4.7K OHM J SMALL
R414	RN02B100JS	R METAL FILM	2W 10 OHM J SMALL
R421	RN01B472JS	R METAL FILM	1W 4.7K OHM J SMALL
R427	RN02B279JS	R METAL FILM	2W 2.7 OHM J SMALL
R428	RN02B229JS	R METAL FILM	2W 2.2 OHM J SMALL
R451	RN01B121JS	R METAL FILM	1W 120 OHM J SMALL
R471	RN02B479JS	R METAL FILM	2W 4.7 OHM J SMALL
R472	RN02B569JS	R METAL FILM	2W 5.6 OHM J SMALL
R651	RN02B331JS	R METAL FILM	2W 330 OHM J SMALL
R652	RN02B331JS	R METAL FILM	2W 330 OHM J SMALL
R661	RN02B109JS	R METAL FILM	2W 1 OHM J SMALL
R662	RN02B159JS	R METAL FILM	2W 1.5 OHM J SMALL
R771	RN02B829JS	R METAL FILM	2W 8.2 OHM J SMALL
R772	RN02B369JS	R METAL FILM	2W 3.6 OHM J SMALL
R804	RN02B752JS	R METAL FILM	2W 7.5K OHM J SMALL
R805	RN02B752JS	R METAL FILM	2W 7.5K OHM J SMALL
R815	RN02B180JS	R METAL FILM	2W 18 OHM J SMALL
R818	RN02B180JS	R METAL FILM	2W 18 OHM J SMALL
R819	RN02B682JS	R METAL FILM	2W 6.8K OHM J SMALL
R835	RN02B363JS	R METAL FILM	2W 36K OHM J SMALL
R842	RN02B220JS	R METAL FILM	2W 22 OHM J SMALL
SW01	5S50101090	SW TACT	SKHV17910A
SW02	5S50101090	SW TACT	SKHV17910A
SW03	5S50101090	SW TACT	SKHV17910A
SW04	5S50101090	SW TACT	SKHV17910A
SW05	5S50101090	SW TACT	SKHV17910A
SW06	5S50101090	SW TACT	SKHV17910A
ZZ200	PTMPJAC971	PCB MAIN AXIAL AS	DTC-29G1VM
A001	4859802596	PCB MAIN	330X246 S1L
C303	CZSL1H360J	C CERA	50V SL 36PF J (AXIAL)
D301	D1N4936GP-	DIODE	1N4936GP (TAPPING)
D302	D1N4936GP-	DIODE	1N4936GP (TAPPING)

LOC.	PART CODE	PART NAME	PART DESCRIPTION
D303	DRGP15J---	DIODE	RGP15J
D304	D1N4148---	DIODE	1N4148 (TAPPING)
D307	D1N4148---	DIODE	1N4148 (TAPPING)
D321	DRGP15J---	DIODE	RGP15J
D421	DRGP15J---	DIODE	RGP15J
D422	DUZ9R1BM--	DIODE ZENER	UZ-9.1BM 9.1V
D451	DUZ5R1BM--	DIODE ZENER	UZ-5.1BM
D491	D1N4936GP-	DIODE	1N4936GP (TAPPING)
D501	D1N4148---	DIODE	1N4148 (TAPPING)
D607	D1N4148---	DIODE	1N4148 (TAPPING)
D608	D1N4148---	DIODE	1N4148 (TAPPING)
D609	D1N4148---	DIODE	1N4148 (TAPPING)
D610	DUZ6R2BM--	DIODE ZENER	UZ-6.2BM 6.2V
D611	DUZ6R2BM--	DIODE ZENER	UZ-6.2BM 6.2V
D612	DUZ6R2BM--	DIODE ZENER	UZ-6.2BM 6.2V
D613	DUZ6R2BM--	DIODE ZENER	UZ-6.2BM 6.2V
D614	DUZ6R2BM--	DIODE ZENER	UZ-6.2BM 6.2V
D615	DUZ6R2BM--	DIODE ZENER	UZ-6.2BM 6.2V
D671	D1N4148---	DIODE	1N4148 (TAPPING)
D691	DUZ9R1BM--	DIODE ZENER	UZ-9.1BM 9.1V
D692	D1N4148---	DIODE	1N4148 (TAPPING)
D701	DUZ6R2BM--	DIODE ZENER	UZ-6.2BM 6.2V
D702	D1N4148---	DIODE	1N4148 (TAPPING)
D704	DUZ6R2BM--	DIODE ZENER	UZ-6.2BM 6.2V
D705	D1N4148---	DIODE	1N4148 (TAPPING)
D707	D1N4148---	DIODE	1N4148 (TAPPING)
D708	DMTZ6R2B--	DIODE ZENER	MTZ 6.2-B (TAPPING)
D709	DMTZ6R2B--	DIODE ZENER	MTZ 6.2-B (TAPPING)
D710	DMTZ6R2B--	DIODE ZENER	MTZ 6.2-B (TAPPING)
D802	D1S1888---	DIODE	1S1888 (TAPPING)
D803	DUZ7R5BM--	DIODE ZENER	UZ-7.5BM 7.5V
D804	DEU1Z-----	DIODE	EU1Z (HIGH SPEED)
D805	DEU1Z-----	DIODE	EU1Z (HIGH SPEED)
D806	D1N4936GP-	DIODE	1N4936GP (TAPPING)
D807	D1N4936GP-	DIODE	1N4936GP (TAPPING)
D809	DEU1Z-----	DIODE	EU1Z (HIGH SPEED)
D810	D1N4936GP-	DIODE	1N4936GP (TAPPING)
D813	DRGP15J---	DIODE	RGP15J
D814	DRGP15J---	DIODE	RGP15J
D816	D1N4936GP-	DIODE	1N4936GP (TAPPING)
D817	DUZ15BM---	DIODE ZENER	UZ-15BM
D818	D1N4148---	DIODE	1N4148 (TAPPING)
D819	DUZ15BM---	DIODE ZENER	UZ-15BM
J001-141	85801065GY	WIRE COPPER	AWG22 1/0.65 TIN COATING
JT23	85801065GY	WIRE COPPER	AWG22 1/0.65 TIN COATING

LOC.	PART CODE	PART NAME	PART DESCRIPTION
L403	5MC0000100	COIL BEAD	HC-3550
L451	5CPZ470K02	COIL PEAKING	47UH K (AXIAL 3.5MM)
L501	5CPZ100K02	COIL PEAKING	10UH K (AXIAL 3.5MM)
L502	5CPZ100K02	COIL PEAKING	10UH K (AXIAL 3.5MM)
L503	5CPZ100K02	COIL PEAKING	10UH K (AXIAL 3.5MM)
L601	5CPZ101K02	COIL PEAKING	100UH K (AXIAL 3.5MM)
L602	85801065GY	WIRE COPPER	AWG22 1/0.65 TIN COATING
L701	5CPZ220K02	COIL PEAKING	22UH K (AXIAL 3.5MM)
L802	5MC0000100	COIL BEAD	HC-3550
R303	RD-4Z433J-	R CARBON FILM	1/4 43K OHM J
R304	RD-4Z224J-	R CARBON FILM	1/4 220K OHM J
R305	RD-AZ333J-	R CARBON FILM	1/6 33K OHM J
R306	RD-4Z473J-	R CARBON FILM	1/4 47K OHM J
R307	RD-4Z104J-	R CARBON FILM	1/4 100K OHM J
R310	RD-AZ102J-	R CARBON FILM	1/6 1K OHM J
R311	RD-AZ302J-	R CARBON FILM	1/6 3K OHM J
R405	RD-4Z121J-	R CARBON FILM	1/4 120 OHM J
R406	RD-4Z271J-	R CARBON FILM	1/4 270 OHM J
R411	RD-4Z330J-	R CARBON FILM	1/4 33 OHM J
R416	RD-4Z203J-	R CARBON FILM	1/4 20K OHM J
R422	RD-4Z104J-	R CARBON FILM	1/4 100K OHM J
R424	RD-4Z243J-	R CARBON FILM	1/4 24K OHM J
R425	RD-4Z102J-	R CARBON FILM	1/4 1K OHM J
R426	RD-4Z682J-	R CARBON FILM	1/4 6.8K OHM J
R432	RD-4Z272J-	R CARBON FILM	1/4 2.7K OHM J
R452	RD-AZ104J-	R CARBON FILM	1/6 100K OHM J
R453	RD-AZ103J-	R CARBON FILM	1/6 10K OHM J
R501	RD-AZ104J-	R CARBON FILM	1/6 100K OHM J
R502	RD-AZ391J-	R CARBON FILM	1/6 390 OHM J
R503	RD-AZ391J-	R CARBON FILM	1/6 390 OHM J
R504	RD-AZ271J-	R CARBON FILM	1/6 270 OHM J
R505	RD-AZ271J-	R CARBON FILM	1/6 270 OHM J
R506	RD-AZ271J-	R CARBON FILM	1/6 270 OHM J
R507	RD-AZ304J-	R CARBON FILM	1/6 300K OHM J
R508	RD-AZ103J-	R CARBON FILM	1/6 10K OHM J
R509	RD-AZ824J-	R CARBON FILM	1/6 820K OHM J
R510	RD-AZ103J-	R CARBON FILM	1/6 10K OHM J
R511	RD-AZ102J-	R CARBON FILM	1/6 1K OHM J
R512	RD-AZ511J-	R CARBON FILM	1/6 510 OHM J
R514	RD-AZ103J-	R CARBON FILM	1/6 10K OHM J
R515	RD-AZ272J-	R CARBON FILM	1/6 2.7K OHM J
R518	RD-AZ222J-	R CARBON FILM	1/6 2.2K OHM J
R601	RD-4Z750J-	R CARBON FILM	1/4 75 OHM J
R602	RD-4Z473J-	R CARBON FILM	1/4 47K OHM J
R603	RD-4Z473J-	R CARBON FILM	1/4 47K OHM J

LOC.	PART CODE	PART NAME	PART DESCRIPTION
R604	RD-4Z750J-	R CARBON FILM	1/4 75 OHM J
R605	RD-4Z124J-	R CARBON FILM	1/4 120K OHM J
R606	RD-4Z124J-	R CARBON FILM	1/4 120K OHM J
R607	RD-4Z750J-	R CARBON FILM	1/4 75 OHM J
R608	RD-4Z124J-	R CARBON FILM	1/4 120K OHM J
R609	RD-4Z124J-	R CARBON FILM	1/4 120K OHM J
R610	RD-AZ331J-	R CARBON FILM	1/6 330 OHM J
R611	RD-AZ203J-	R CARBON FILM	1/6 20K OHM J
R612	RD-AZ333J-	R CARBON FILM	1/6 33K OHM J
R616	RD-AZ102J-	R CARBON FILM	1/6 1K OHM J
R617	RD-AZ333J-	R CARBON FILM	1/6 33K OHM J
R618	RD-AZ203J-	R CARBON FILM	1/6 20K OHM J
R619	RD-AZ101J-	R CARBON FILM	1/6 100 OHM J
R620	RD-AZ102J-	R CARBON FILM	1/6 1K OHM J
R621	RD-AZ333J-	R CARBON FILM	1/6 33K OHM J
R622	RD-AZ203J-	R CARBON FILM	1/6 20K OHM J
R623	RD-AZ101J-	R CARBON FILM	1/6 100 OHM J
R627	RN-AZ5600F	R METAL FILM	1/6 560 OHM F
R628	RD-AZ821J-	R CARBON FILM	1/6 820 OHM J
R630	RD-AZ821J-	R CARBON FILM	1/6 820 OHM J
R631	RD-AZ621J-	R CARBON FILM	1/6 620 OHM J
R632	RD-AZ101J-	R CARBON FILM	1/6 100 OHM J
R633	RD-AZ101J-	R CARBON FILM	1/6 100 OHM J
R634	RD-AZ101J-	R CARBON FILM	1/6 100 OHM J
R635	RD-AZ101J-	R CARBON FILM	1/6 100 OHM J
R636	RD-AZ101J-	R CARBON FILM	1/6 100 OHM J
R637	RD-AZ101J-	R CARBON FILM	1/6 100 OHM J
R638	RD-AZ101J-	R CARBON FILM	1/6 100 OHM J
R639	RD-AZ101J-	R CARBON FILM	1/6 100 OHM J
R640	RD-4Z750J-	R CARBON FILM	1/4 75 OHM J
R641	RD-4Z750J-	R CARBON FILM	1/4 75 OHM J
R653	RD-4Z101J-	R CARBON FILM	1/4 100 OHM J
R654	RD-4Z101J-	R CARBON FILM	1/4 100 OHM J
R655	RD-4Z229J-	R CARBON FILM	1/4 2.2 OHM J
R656	RD-4Z229J-	R CARBON FILM	1/4 2.2 OHM J
R657	RD-AZ471J-	R CARBON FILM	1/6 470 OHM J
R658	RD-AZ472J-	R CARBON FILM	1/6 4.7K OHM J
R676	RD-AZ101J-	R CARBON FILM	1/6 100 OHM J
R677	RD-AZ101J-	R CARBON FILM	1/6 100 OHM J
R678	RN-AZ1001F	R METAL FILM	1/6 1K OHM F
R679	RN-AZ1001F	R METAL FILM	1/6 1K OHM F
R701	RD-AZ102J-	R CARBON FILM	1/6 1K OHM J
R702	RD-AZ202J-	R CARBON FILM	1/6 2K OHM J
R703	RD-AZ271J-	R CARBON FILM	1/6 270 OHM J
R704	RD-AZ102J-	R CARBON FILM	1/6 1K OHM J

LOC.	PART CODE	PART NAME	PART DESCRIPTION
R705	RD-AZ103J-	R CARBON FILM	1/6 10K OHM J
R706	RD-AZ101J-	R CARBON FILM	1/6 100 OHM J
R707	RD-AZ103J-	R CARBON FILM	1/6 10K OHM J
R708	RD-AZ101J-	R CARBON FILM	1/6 100 OHM J
R709	RD-AZ101J-	R CARBON FILM	1/6 100 OHM J
R710	RD-AZ103J-	R CARBON FILM	1/6 10K OHM J
R711	RD-AZ101J-	R CARBON FILM	1/6 100 OHM J
R712	RD-AZ102J-	R CARBON FILM	1/6 1K OHM J
R713	RD-AZ103J-	R CARBON FILM	1/6 10K OHM J
R714	RD-AZ102J-	R CARBON FILM	1/6 1K OHM J
R715	RD-AZ223J-	R CARBON FILM	1/6 22K OHM J
R716	RD-AZ223J-	R CARBON FILM	1/6 22K OHM J
R717	RD-AZ101J-	R CARBON FILM	1/6 100 OHM J
R718	RD-AZ101J-	R CARBON FILM	1/6 100 OHM J
R719	RD-AZ271J-	R CARBON FILM	1/6 270 OHM J
R721	RD-AZ102J-	R CARBON FILM	1/6 1K OHM J
R722	RD-AZ102J-	R CARBON FILM	1/6 1K OHM J
R723	RD-AZ102J-	R CARBON FILM	1/6 1K OHM J
R724	RD-AZ102J-	R CARBON FILM	1/6 1K OHM J
R725	RD-AZ102J-	R CARBON FILM	1/6 1K OHM J
R726	RD-AZ243J-	R CARBON FILM	1/6 24K OHM J
R727	RD-AZ102J-	R CARBON FILM	1/6 1K OHM J
R728	RD-AZ104J-	R CARBON FILM	1/6 100K OHM J
R729	RD-AZ182J-	R CARBON FILM	1/6 1.8K OHM J
R730	RD-AZ103J-	R CARBON FILM	1/6 10K OHM J
R731	RD-AZ101J-	R CARBON FILM	1/6 100 OHM J
R732	RD-AZ223J-	R CARBON FILM	1/6 22K OHM J
R733	RD-AZ103J-	R CARBON FILM	1/6 10K OHM J
R734	RD-AZ101J-	R CARBON FILM	1/6 100 OHM J
R735	RD-AZ153J-	R CARBON FILM	1/6 15K OHM J
R736	RD-AZ101J-	R CARBON FILM	1/6 100 OHM J
R737	RD-AZ101J-	R CARBON FILM	1/6 100 OHM J
R738	RD-AZ103J-	R CARBON FILM	1/6 10K OHM J
R739	RD-AZ103J-	R CARBON FILM	1/6 10K OHM J
R740	RD-AZ101J-	R CARBON FILM	1/6 100 OHM J
R741	RD-4Z101J-	R CARBON FILM	1/4 100 OHM J
R742	RD-4Z271J-	R CARBON FILM	1/4 270 OHM J
R743	RD-4Z271J-	R CARBON FILM	1/4 270 OHM J
R745	RD-AZ472J-	R CARBON FILM	1/6 4.7K OHM J
R746	RD-AZ222J-	R CARBON FILM	1/6 2.2K OHM J
R747	RD-AZ223J-	R CARBON FILM	1/6 22K OHM J
R748	RD-AZ103J-	R CARBON FILM	1/6 10K OHM J
R749	RD-AZ432J-	R CARBON FILM	1/6 4.3K OHM J
R750	RD-AZ133J-	R CARBON FILM	1/6 13K OHM J
R751	RD-AZ203J-	R CARBON FILM	1/6 20K OHM J

LOC.	PART CODE	PART NAME	PART DESCRIPTION
R752	RD-AZ563J-	R CARBON FILM	1/6 56K OHM J
R753	RD-AZ103J-	R CARBON FILM	1/6 10K OHM J
R775	RD-AZ152J-	R CARBON FILM	1/6 1.5K OHM J
R776	RD-AZ512J-	R CARBON FILM	1/6 5.1K OHM J
R777	RD-AZ221J-	R CARBON FILM	1/6 220 OHM J
R778	RD-AZ102J-	R CARBON FILM	1/6 1K OHM J
R779	RD-AZ103J-	R CARBON FILM	1/6 10K OHM J
R806	RD-4Z330J-	R CARBON FILM	1/4 33 OHM J
R807	RD-2Z123J-	R CARBON FILM	1/2 12K OHM J
R808	RD-4Z153J-	R CARBON FILM	1/4 15K OHM J
R810	RD-4Z182J-	R CARBON FILM	1/4 1.8K OHM J
R811	RD-4Z102J-	R CARBON FILM	1/4 1K OHM J
R813	RD-4Z101J-	R CARBON FILM	1/4 100 OHM J
R814	RD-4Z272J-	R CARBON FILM	1/4 2.7K OHM J
R816	RD-4Z102J-	R CARBON FILM	1/4 1K OHM J
R817	RC-2Z565J-	R CARBON COMP	1/2 5.6M OHM J
R827	RD-4Z103J-	R CARBON FILM	1/4 10K OHM J
R837	RD-4Z102J-	R CARBON FILM	1/4 1K OHM J
R838	RD-4Z683J-	R CARBON FILM	1/4 68K OHM J
R839	RD-4Z102J-	R CARBON FILM	1/4 1K OHM J
R840	RD-4Z432J-	R CARBON FILM	1/4 4.3K OHM J
R841	RD-4Z473J-	R CARBON FILM	1/4 47K OHM J
R843	RD-4Z103J-	R CARBON FILM	1/4 10K OHM J
R844	RD-AZ101J-	R CARBON FILM	1/6 100 OHM J
R846	RD-AZ103J-	R CARBON FILM	1/6 10K OHM J
RT25	RD-4Z113J-	R CARBON FILM	1/4 11K OHM J
ZZ300	PTCPMSD112	PCB CRT MANUAL AS	DTC-2987VM
C905	CCYB3D472K	C CERA	2KV B 4700PF K
C912	CEYF2E100V	C ELECTRO	250V RSS 10MF (10X20)
C913	CEYF2E479V	C ELECTRO	250V RSS 4.7MF (10*16)
C914	4SG0D00103	SPARK GAP	S-23 900V-1.5KV
C915	4SG0D00103	SPARK GAP	S-23 900V-1.5KV
C916	4SG0D00103	SPARK GAP	S-23 900V-1.5KV
M681	4856812001	TIE CABLE	NYLON66 DA100
P901	485923862	CONN WAFER	YPW500-02
P902	4850703S21	CONNECTOR	YH025-03 YST025 ULW=600
P903	4850705S05	CONNECTOR	YH025-05 YST025 ULW=600
Q901	PTA2SW5200	HEAT SINK ASS'Y	TKTC3229-- 7174300811
	1KTC3229--	TR	KTC 3229
0000A	48570252	HEAT SINK	SPCC T1.0 DG
0000B	7174300811	SCREW TAPPTITE	TT2 RND 3X8 MFZN
Q902	PTA2SW5200	HEAT SINK ASS'Y	TKTC3229-- 7174300811
	1TKTC3229--	TR	KTC 3229
0000A	48570252	HEAT SINK	SPCC T1.0 DG
0000B	7174300811	SCREW TAPPTITE	TT2 RND 3X8 MFZN

LOC.	PART CODE	PART NAME	PART DESCRIPTION
Q903	PTA2SW5200	HEAT SINK ASS'Y	TKTC3229-- 7174300811
	1TKTC3229--	TR	KTC 3229
0000A	48570252	HEAT SINK	SPCC T1.0 DG
0000B	7174300811	SCREW TAPPTITE	TT2 RND 3X8 MFZN
SCT1	485930283	SOCKET CRT	ISH-02S
ZZ200	PTCPJRD112	PCB CRT RADIAL AS	DTC-2987VM
C904	CEXF1H101V	C ELECTRO	50V RSS 100MF (8X11.5) TP
C906	CCXF1H103Z	C CERA	50V F 0.01MF Z (TAPPING)
C907	CCXF1H103Z	C CERA	50V F 0.01MF Z (TAPPING)
C908	CCXF1H103Z	C CERA	50V F 0.01MF Z (TAPPING)
Q904	TKTC3198Y-	TR	KTC3198Y
Q905	TKTC3198Y-	TR	KTC3198Y
Q906	TKTC3198Y-	TR	KTC3198Y
R914	RN02B392JS	R METAL FILM	2W 3.9K OHM J SMALL
R915	RN02B392JS	R METAL FILM	2W 3.9K OHM J SMALL
R916	RN02B392JS	R METAL FILM	2W 3.9K OHM J SMALL
R923	RV4121502P	R SEMI FIXED	NVZ6THT 5K OHM
R924	RV4121502P	R SEMI FIXED	NVZ6THT 5K OHM
R925	RV4121201P	R SEMI FIXED	NVZ6THT 200 OHM
R926	RV4121201P	R SEMI FIXED	NVZ6THT 200 OHM
R928	RN02B362JS	R METAL FILM	2W 3.6K OHM J SMALL
R929	RN02B362JS	R METAL FILM	2W 3.6K OHM J SMALL
R930	RN02B362JS	R METAL FILM	2W 3.6K OHM J SMALL
ZZ200	PTCPJAD112	PCB CRT AXIAL AS	DTC-2987VM
A001	4859826613	PCB CRT	104X103(246X330/6)
C909-11	CCZB1H391K	C CERA	50V B 390PF K (AXIAL)
D901	D1N4148---	DIODE	1N4148 (TAPPING)
D902	D1N4148---	DIODE	1N4148 (TAPPING)
D903	D1N4148---	DIODE	1N4148 (TAPPING)
D904	DRGP15J---	DIODE	RGP15J
J901-8	85801065GY	WIRE COPPER	AWG22 1/0.65 TIN COATING
R901-6	RD-AZ101J-	R CARBON FILM	1/6 100 OHM J
R907-9	RD-AZ222J-	R CARBON FILM	1/6 2.2K OHM J
R910	RD-AZ131J-	R CARBON FILM	1/6 130 OHM J
R911	RD-AZ101J-	R CARBON FILM	1/6 100 OHM J
R912	RD-AZ131J-	R CARBON FILM	1/6 130 OHM J
R913	RD-AZ131J-	R CARBON FILM	1/6 130 OHM J
R917	RD-2Z182J-	R CARBON FILM	1/2 1.8K OHM J
R918	RD-2Z182J-	R CARBON FILM	1/2 1.8K OHM J
R919	RD-2Z182J-	R CARBON FILM	1/2 1.8K OHM J
R920	RD-2Z105J-	R CARBON FILM	1/2 1M OHM J
R931	RD-AZ242J-	R CARBON FILM	1/6 2.4K OHM J
R932	RD-AZ242J-	R CARBON FILM	1/6 2.4K OHM J

DIFFERENCE PARTS LIST

DTC-29G1VM				DTC-2987VM		
LOC.	S/N	PART NAME	PART DESCRIPTION	S/N	PART NAME	PART DESCRIPTION
L401	58H0000039	COIL H-LINEARITY	TRL-200D	58H0000039	COIL H-LINEARITY	TRL-200D
P603				485923172S	CONN WAFER	YW025-04 (STICK)
P701				485923192S	CONN WAFER	YW025-06 (STICK)
P810				4859242220	CONN WAFER	YFW800-02
P811				4859242220	CONN WAFER	YFW800-02
V901	4859618060	CRT	A68KTB190X006	4859618060	CRT	A68KTB190X006
R921						
R492	RF02Z439J-	R FUSIBLE	2W 4.3 OHM J	RF02Z439J-	R FUSIBLE	2W 4.3 OHM J
R927						
SP01	48A8304700	SPEAKER SYSTEM	SS-58126F01	48A8304500	SPEAKER SYSTEM	SS-103F05
J905	85801065GY	WIRE COPPER	AWG22 1/0.65 TIN COATING	85801065GY	WIRE COPPER	AWG22 1/0.65 TIN COATING
ZZ203				PTCTMSD112	PCB CONTROL MANUAL	DTC-2987VM

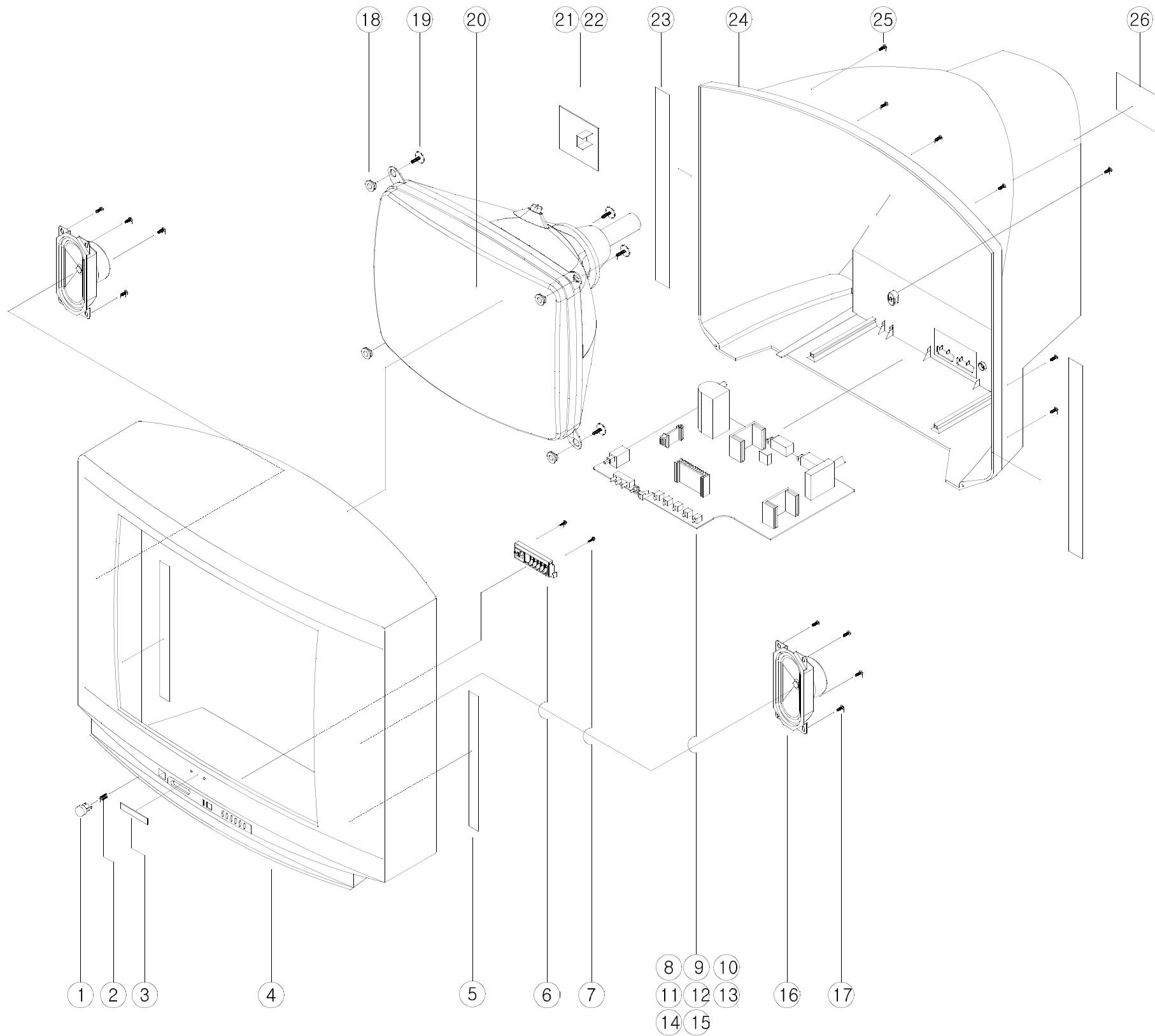
DTC-29G3VM				DTC-29G4VM		
LOC.	S/N	PART NAME	PART DESCRIPTION	S/N	PART NAME	PART DESCRIPTION
L401	58H1600022	COIL H-LINEARITY	TRL-2093	58H1600022	COIL H-LINEARITY	TRL-2093
P603	485923172S	CONN WAFER	YW025-04 (STICK)	485923172S	CONN WAFER	YW025-04 (STICK)
P701	485923192S	CONN WAFER	YW025-06 (STICK)	485923192S	CONN WAFER	YW025-06 (STICK)
P810	4859242220	CONN WAFER	YFW800-02	4859242220	CONN WAFER	YFW800-02
P811	4859242220	CONN WAFER	YFW800-02	4859242220	CONN WAFER	YFW800-02
V901	4859617260	CRT	A68AGA25X101		CRT	
R921				RD-2Z102J-	R CARBON FILM	1/2 1K OHM J
R492	RF02Z109J-	R FUSIBLE	2W 1 OHM J	RF02Z109J-	R FUSIBLE	2W 1 OHM J
R927	RF02Y828J-	R FUSIBLE	2W 0.82 OHM J	RF02Y828J-	R FUSIBLE	2W 0.82 OHM J
SP01	48A8304700	SPEAKER SYSTEM	SS-58126F01	48A8304000	SPEAKER SYSTEM	SS-78128F01
J905						
ZZ203	PTCTMSD168	PCB CONTROL MANUAL	DTC-29G3VMR	PTCTMSD168	PCB CONTROL MANUAL	DTC-29G3VMR

DTC-29G1VM				DTC-25G1VM		
LOC.	S/N	PART NAME	PART DESCRIPTION	S/N	PART NAME	PART DESCRIPTION
J054	85801065GY	WIRE COPPER	AWG22 1/0.65 TIN COATING			
D423				DRGP15J---	DIODE	RGP15J
L402	58W0000018	COIL WIDTH	TLN-2092			
J047				85801065GY	WIRE COPPER	AWG22 1/0.65 TIN COATING
C402	CMXB2D683J	C MYLAR	200V EU 0.068MF J			
C401	CMYB2G514K	C MYLAR	400V EU 0.51MF K	CMYE2G304J	C MYLAR	400V PU 0.3MF J
C403	CMYH3C822J	C MYLAR	1.6KV BUP 8200PF J	CMYH3C622J	C MYLAR	1.6KV BUP 6200PF J
C404	CMYH3C822J	C MYLAR	1.6KV BUP 8200PF J	CMYH3C622J	C MYLAR	1.6KV BUP 6200PF J
L401	58H0000039	COIL H-LINEARITY	TRL-200D	58H2600028	COIL H-LINEARITY	TRL-2083K
T402	50H0000168	FBT	FFA94024L	50H0000167	FBT	1352.5010B
C421				CEXF2C101V	C ELECTRO	160V RSS 100MF
C417	CMXB1H563J	C MYLAR	50V EU 0.056MF J			
R426	RD-4Z682J-	R CARBON FILM	1/4 6.8K OHM J	RD-4Z752J-	R CARBON FILM	1/4 7.5K OHM J
R416	RD-4Z203J-	R CARBON FILM	1/4 20K OHM J	RD-4Z243J-	R CARBON FILM	1/4 24K OHM J
R492	RF02Z439J-	R FUSIBLE	2W 4.3 OHM J	RF02Z479J-	R FUSIBLE	2W 4.7 OHM J
V901	4859618060	CRT	A68KTB190X006	4859608962	CRT	A59KTB96X01

DTC-29G1VM				DTC-29G1TM		
LOC.	S/N	PART NAME	PART DESCRIPTION	S/N	PART NAME	PART DESCRIPTION
J138	85801065GY	WIRE COPPER	AWG22 1/0.65 TIN COATING			
JV03	4859107050	JACK PIN BOARD	PH-JB-9601			
JV01				4859200401	SOCKET RGB	SR-21A1
P404				4859280820	CONN WAFER	TAC-L13X-A1
ZZ400				P TTLMSD	PCB TELETXT MANUAL	DTC-29G1TM

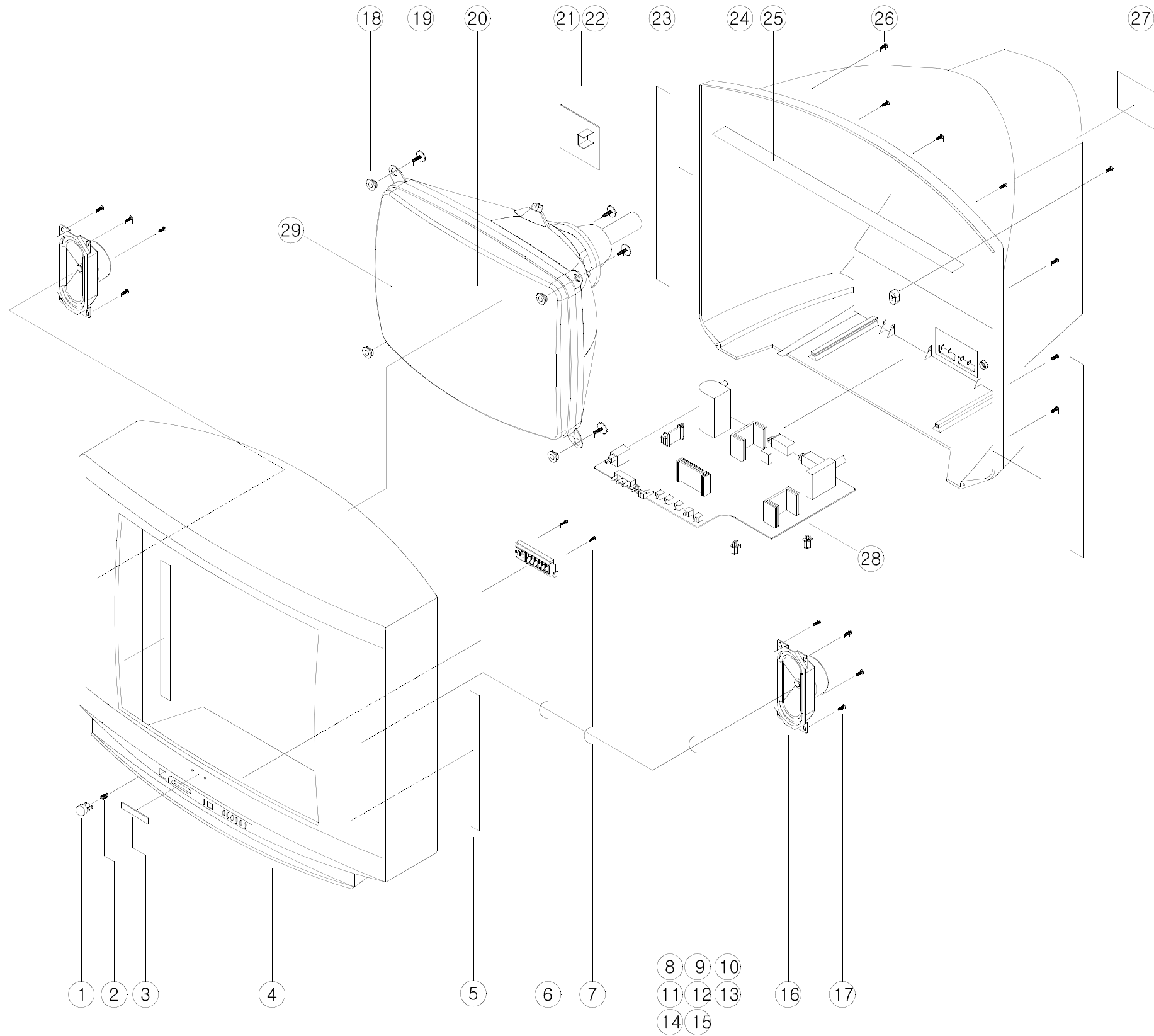
PRINTED CIRCUIT BOARDS

DTC-25G1VM



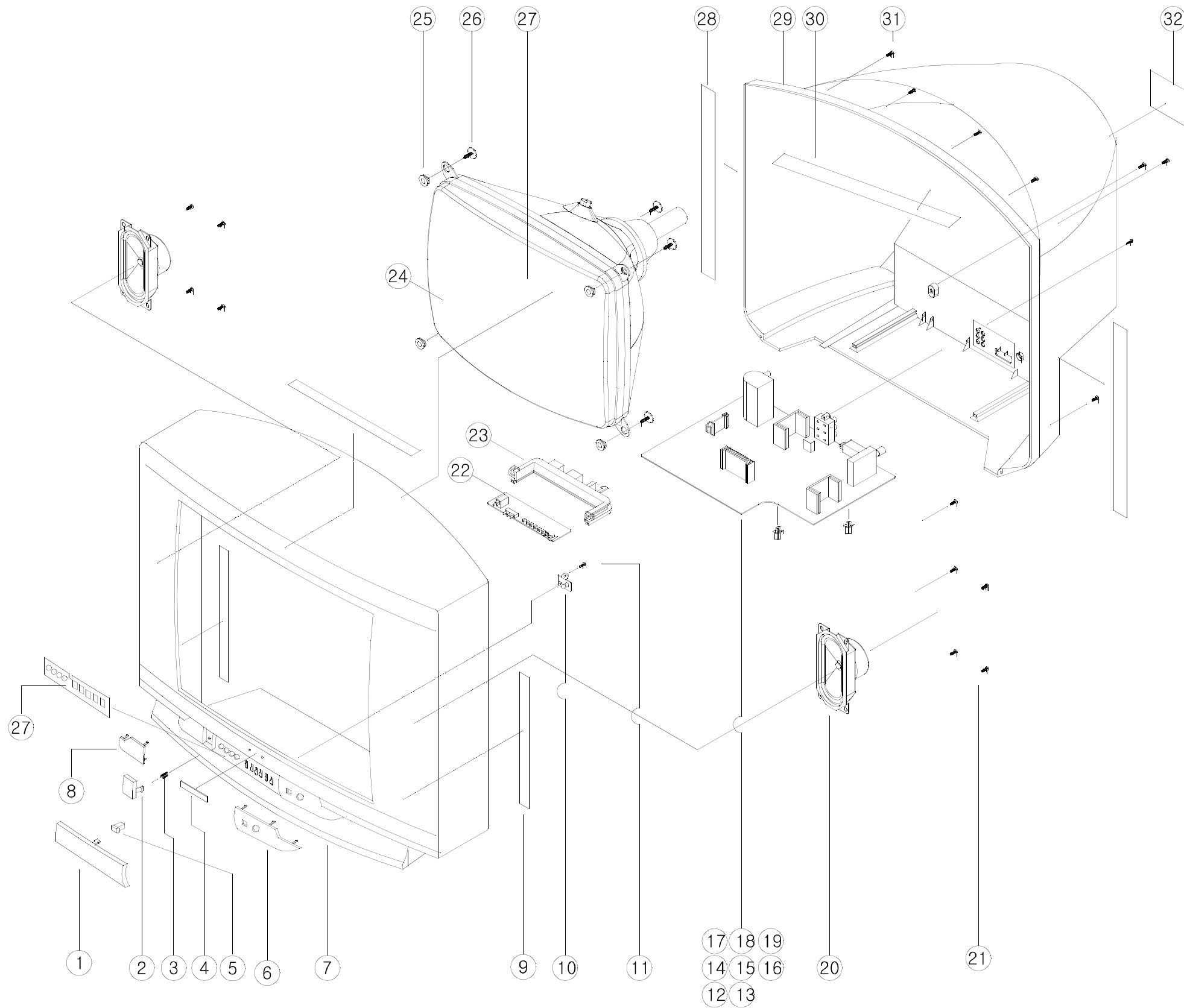
No	PART CODE	PART NAME	Q'ty	MATERIAL	REMARKS
26	4855415800	SPEC PLATE	1	150ART P/E FILM	
25	7122401612	SCREW TAPPING	8	T2S TRS 4X16 MFZN BK	
24	4852150321	COVER BACK	1	HIPS BK	
23	4857817610	CLOTH BLACK	2	FELT T0.7 L=300mm	
22	4857015801	HEAT SINK	1	SPCC-SN T1.0	
21		CRT DRIVE PCB	1		
20		CRT	1	TUBE A'SSY	
19	4856015820	SCREW CRT FIX	4	L=35	
18	4856215402	WASHER RUBBER	4	CR	
17	7122401412	SCREW TAPPING	8	T2S TRS 4X14 MFZN	
16		SPEAKER	2		
15	4857013300	HEAT SINK C	1	SPCC T1.0 SN-3	
14	4853530901	HOLDER LED	1	HIPS BK	
13	4857025400	HEAT SINK	1	A1050P-H24 T2.0	
12	4857026500	HEAT SINK	1	AL EX	
11	4857027904	HEAT SINK	1	AL EX (ANODIZE)	
10	4857015801	HEAT SINK	1	AL EX	
9	4857027602	HEAT SINK	2	AL EX	
8		MAIN PCB ASSY	1		
7	7128301011	SCREW TAPPING	1	T2S WAS 3X10 MFZN	
6	4851929510	BUTTON CTRL AS	1	4936310+5533800	
5	4857821102	CLOTH BLACK	2	FELT 340X10XT1.6	
4	4852064801	MASK FRONT	1	HIPS BK	
3	4855617402	MARK BRAND	1	CU AU + ABS BK	
2	4856716000	SPRING	1	SWPA	
1	4854851801	BUTTON POWER	1	ABS BK	

DTC-29G1VM



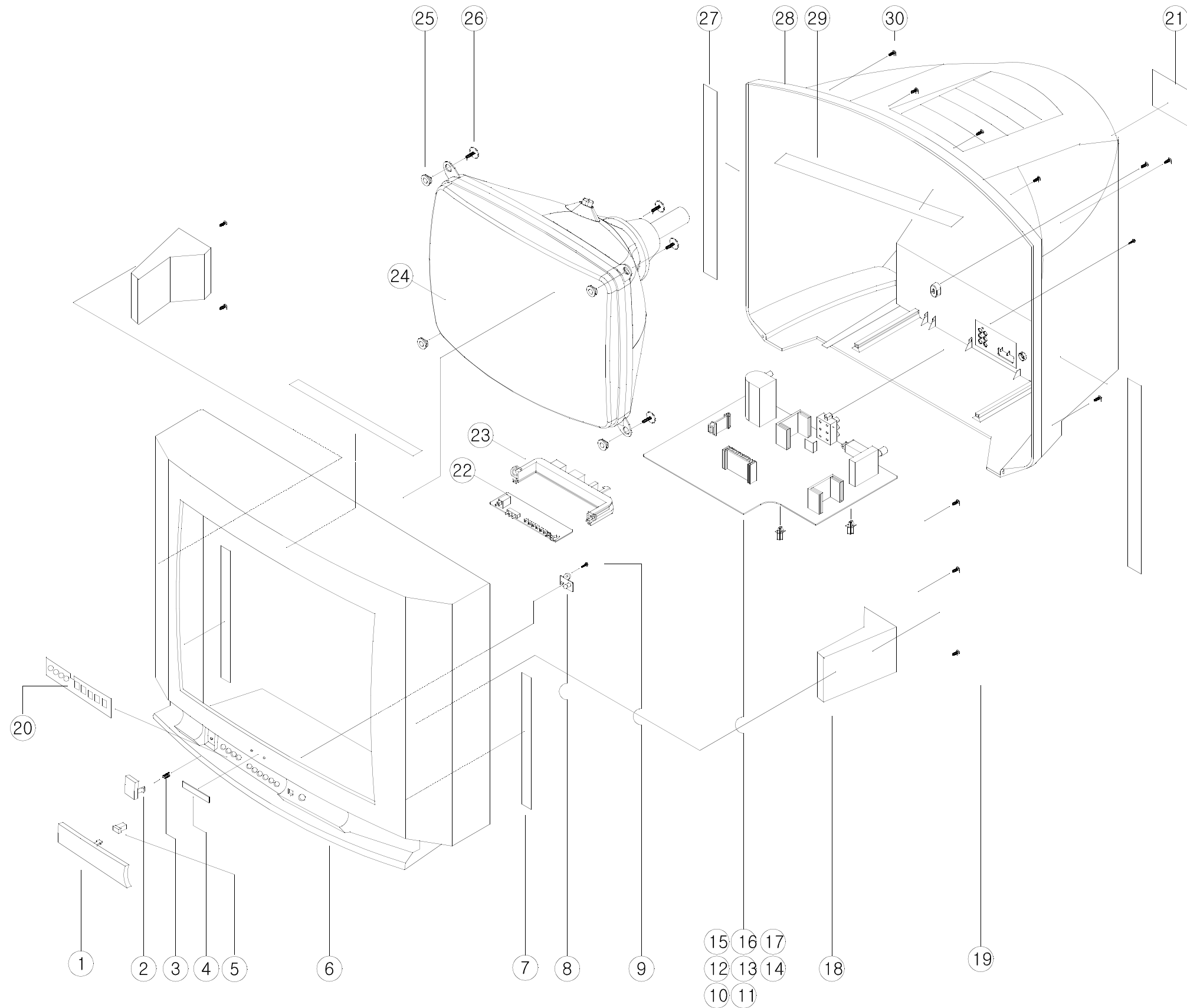
No	PART CODE	PART NAME	Qty	MATERIAL	REMARKS
29	4853526000	HOLDER DEGAUSS	2	NYLON 66	
28	4853747800	RETA PCB	2	NYLON 66	
27	4855415800	SPEC PLATE	1	150ART P/E FILM	
26	7122401612	SCREW TAPPING	10	T2S TRS 4X16 MFZN BK	
25	4857817610	CLOTH BLACK	1	FELT T0.7 L=300	
24	4852150401	COVER BACK	1	HIPS BK	
23	4857817630	CLOTH BLACK	2	FELT T0.7 L=400	
22	4857025400	HEAT SINK	1	SPCC-SN T1.0	
21		CRT DRIVE PCB	1		
20		CRT	1	TUBE A'SSY	
19	4856015820	SCREW CRT FIX	4	L=35	
18	4856215402	WASHER RUBBER	4	CR	
17	7122401411	SCREW TAPPING	8	T2S TRS 4X14 MFZN	
16		SPEAKER	2		
15	4857013300	HEAT SINK C	1	SPCC T1.0 SN-3	
14	4853530901	HOLDER LED	1	HIPS BK	
13	4857015801	HEAT SINK	1	A1050P-H24 T2.0	
12	4857026500	HEAT SINK	1	AL EX	
11	4857027904	HEAT SINK	1	AL EX (ANODIZE)	
10	4857028001	HEAT SINK	1	AL EX BK	
9	4857027602	HEAT SINK	2	AL EX	
8		MAIN PCB ASSY	1		
7	7128301011	SCREW TAPPING	1	T2S WAS 3X10 MFZN	
6	4851929610	BUTTON CTRL AS	1	4936410+5533900	
5	4857821102	CLOTH BLACK	2	FELT 340x10xT1.68	
4	4852064001	MASK FRONT	1	HIPS BK	
3	4855617402	MARK BRAND	1	CU AU + ABS BK	
2	4856716000	SPRING	1	SWPA	
1	4854851901	BUTTON POWER	1	ABS BK	

DTC-29G3VMR



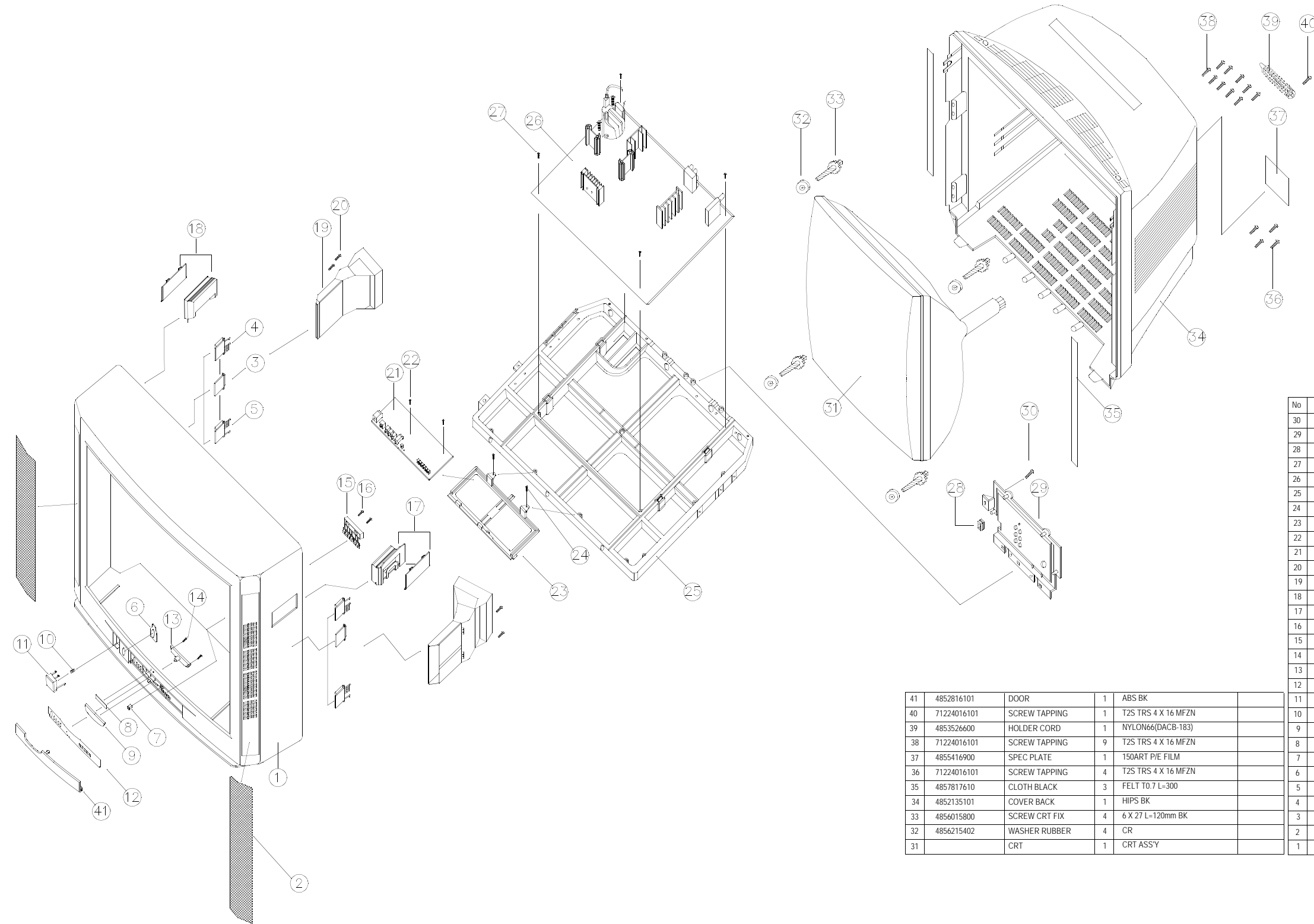
No	PART CODE	PART NAME	Q'ty	MATERIAL	REMARKS
31	4855415800	SPEC PLATE	1	150ART P/E FILM	
31	7122401612	SCREW TAPPING	10	T2S TRS 4X16 MFZN BK	
30	4857817810	CLOTH BLACK	1	FELT T0.7 L=300	
29	4852150221	COVER BACK	1	HIPS BK	
28	4857817810	CLOTH BLACK	2	FELT T0.7 L=300	
27	4855058402	DECO CTRL	1	PVC T0.25	
26	4856015820	SCREW CRT FIX	4	L=35	
25	4856215402	WASHER RUBBER	4	CR	
24		CRT	1	TUBE ASSY	
23	4857817630	FRAME SUB PCB	2	FELT T0.7 L=400	
22		CONTROL PCB			
21	7122401411	SCREW TAPPING	8	T2S TRS 4X14 MFZN	
20		SPEAKER	2		
19	4857013300	HEAT SINK C	1	SPCC T1.0 SN-3	
18	4853530901	HOLDER LED	1	HIPS BK	
17	4857015801	HEAT SINK	1	A1050P-H24 T2.0	
16	4857026500	HEAT SINK	1	AL EX	
15	4857027904	HEAT SINK	1	AL EX (ANODIZE)	
14	4857028001	HEAT SINK	1	AL EX BK	
13	4857027602	HEAT SINK	2	AL EX	
12		MAIN PCB	1		
11	7128301211	SCREW TAPPING	1	T2S WAS 3X12 MFZN	
10	4855534901	DECO SENSOR	1	PMMA	
9	4857821102	CLOTH BLACK	2	FELT 340x10xT1.68	
8	4852324301	PANEL L	1	ABS BK	
7	4852066011	MASK FRONT	1	HIPS BK	
6	4852324401	PANEL R	1	ABS BK	
5		DOOR LOCK	1	KIFCO	
4	4855617402	MARK BRAND	1	CU AU + ABS BK	
3	4856716000	SPRING	1	SWPA	
2	4854853201	BUTTON POWER	1	ABS BK	
1	4852821101	DOOR	1	ABS BK	

DTC-29G4VMS



No	PART CODE	PART NAME	Qty	MATERIAL	REMARKS
30	7122401612	SCREW TAPPING	10	T2S TRS 4X16 MFZN BK	
29	4857817810	CLOTH BLACK	1	FELT T0.7 L=300	
28	4852150701	COVER BACK	1	HIPS BK	
27	4857817810	CLOTH BLACK	2	FELT T0.7 L=300	
26	4856015820	SCREW CRT FIX	4	L=35	
25	4856215402	WASHER RUBBER	4	CR	
24		CRT	1	TUBE A'SSY	
23	4857817630	FRAME SUB PCB	2	FELT T0.7 L=400	
22		CONTROL PCB			
21	4855415800	SPEC PLATE	1	150ART P/E FILM	
20	4855058700	DECO CTRL	1	PVC T0.25	
19	7122401411	SCREW TAPPING	4	T2S TRS 4X14 MFZN	
18	48A8304000	SPEAKER	2	SS-78128F01	
17	4857013300	HEAT SINK C	1	SPCC T1.0 SN-3	
16	4853530901	HOLDER LED	1	HIPS BK	
15	4857015801	HEAT SINK	1	A1050P-H24 T2.0	
14	4857026500	HEAT SINK	1	AL EX	
13	4857027904	HEAT SINK	1	AL EX (ANODIZE)	
12	4857028001	HEAT SINK	1	AL EX BK	
11	4857027602	HEAT SINK	2	AL EX	
10		MAIN PCB	1		
9	7128301211	SCREW TAPPING	1	T2S WAS 3X12 MFZN	
8	4855535401	DECO SENSOR	1	PMMA	
7	4857821102	CLOTH BLACK	2	FELT 340x10xT1.68	
6	4852066501	MASK FRONT	1	HIPS BK	
5		DOOR LOCK	1	KIFCO	
4	4855617402	MARK BRAND	1	CU AU + ABS BK	
3	4856716000	SPRING	1	SWPA	
2	4854852501	BUTTON POWER	1	ABS BK	
1	4852821201	DOOR	1	ABS BK	

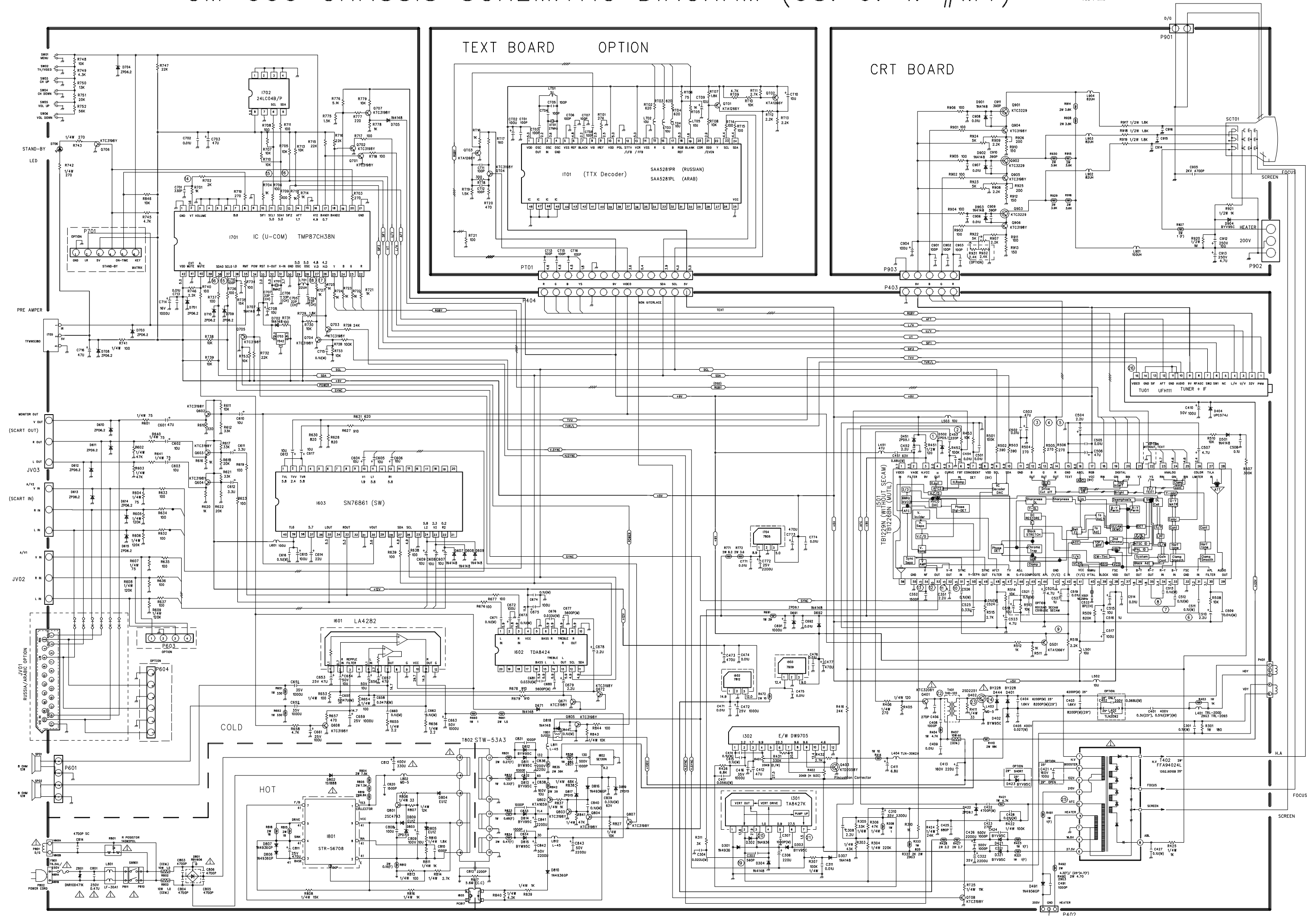
DTC-2987VM



No	PART CODE	PART NAME	Qty	MATERIAL	REMARKS
30	7122401601	SCREW TAPPING	1	T2 TRS 4 X 12 MFZN	
29	4853812000	TERMINAL ANT	1	FR HIPS BK	
28	97P2316600	HOLDER AC CORD	1	NYLON66 UL/CSA	
27	7128301011	SCREW TAPPING	4	T2S WAS 3 X 10 MFZN	
26		PCB MAIN	1	PCB ASS'Y	
25		FRAME MAIN PCB	1	PCB ASS'Y	
24	7128301011	SCREW TAPPING	2	T2S WAS 3 X 10 MFZN	
23	4853812000	FRAME SUB PCB	1	FR HIPS BK	
22	7128301011	SCREW TAPPING	2	T2S WAS 3 X 10 MFZN	
21		PCB CONTROL	1	PCB ASS'Y	
20	71224016101	SCREW TAPPING	4	T2S TRS 4 X 16 MFZN	
19		SPEAKER SYSTEM	2	SS-103FCI	
18	4851924300	HANDEL CASE L	1	HANDEL CASE R ASS'Y	
17	4851924200	HANDEL CASE R	1	HANDEL CASE R ASS'Y	
16	7128301011	SCREW TAPPING	2	T2S WAS 3 X 10 MFZN	
15	4854918801	BUTTON	1	ABS BK	
14	7128301011	SCREW TAPPING	2	T2S WAS 3 X 10 MFZN	
13		PCB LED	1	PCB ASS'Y	
12	4855053804	DECO CONTROL	1	PVC CL T=0.2	
11	4854838501	BUTTON POWER	1	ABS BK	
10	4857016000	SPRING	1	SWPA 0.5	
9	4853527502	DECO LED	1	PC	
8	4855617402	MARK BRAND	1	AU CU + ABS BK	
7	4857923300	DOOR LOCK	1	LA701 (KIFCO)	
6	4855519401	DECO SENSOR	1	PC	
5	4853742101	RETA SPKR B	1	HIPS NC	
4	4853742001	RETA SPKR A	1	HIPS NC	
3	4853311701	BRACKET BACK	1	HIPS NC	
2	4852526500	GRILL SPKR	2	PET CLOTH T0.54	
1	4852048201	MASK FRONT	1	HIPS BK	
41	4852816101	DOOR	1	ABS BK	
40	71224016101	SCREW TAPPING	1	T2S TRS 4 X 16 MFZN	
39	4853526600	HOLDER CORD	1	NYLON66(DACB-183)	
38	71224016101	SCREW TAPPING	9	T2S TRS 4 X 16 MFZN	
37	4855416900	SPEC PLATE	1	150ART P/E FILM	
36	71224016101	SCREW TAPPING	4	T2S TRS 4 X 16 MFZN	
35	4857817610	CLOTH BLACK	3	FELT T0.7 L=300	
34	4852135101	COVER BACK	1	HIPS BK	
33	4856015800	SCREW CRT FIX	4	6 X 27 L=120mm BK	
32	4856215402	WASHER RUBBER	4	CR	
31		CRT	1	CRT ASS'Y	

CM-900 CHASSIS SCHEMATIC DIAGRAM (98. 6. 1. #M4)

MEASUREMENT CONDITION : 220V 60Hz
 COLOR BAR VIDEO INPUT
 CONTRAST, COLOR : MAX.
 VOL : MIN.



NOTE:

1. RESISTANCE IS SHOWN IN OHM. K=1000, M=1000000
2. UNLESS OTHERWISE NOTED IN SCHEMATIC ALL CAPACITOR VALUES ARE EXPRESSED IN uF
3. VOLTAGES READ WITH "VTVM" FROM POINT INDICATED TO CHASSIS GROUND USING A COLOR BAR SIGNAL WITH ALL CONTROLS AT NORMAL LINE 230V AC VOLTAGE READING SHOWN ARE NORMAL VALUES AND MAY VARY +20% EXCEPT H.V
4. THIS CIRCUIT DIAGRAM IS A STANDARD ONE CIRCUIT PRINTED MAY BE SUBJECT TO CHANGE FOR PRODUCT IMPROVEMENT WITHOUT PRIOR NOTICE BEFORE SERVICING THE CHASSIS, READ "X-RAY RADIATION", "SAFETY PRECAUTION", AND "PRODUCT SAFETY NOTICE" IN SERVICE MANUAL RESISTANCE MEASUREMENTS SHOULD BE PERFORMED TO DETERMINE THAT BEFORE RETURNING THE RECEIVER TO CUSTOMER, LEAKAGE CURRENT OR EXPOSED PARTS ARE PROPERLY INSULATED FROM THE SUPPLY CIRCUIT.

WARNING:

BEFORE SERVICING THIS CHASSIS IT IS IMPORTANT THAT THE SERVICE TECHNICIAN READ AND FOLLOW THE "X-RAY RADIATION PRECAUTION", "SAFETY PRECAUTIONS" AND "PRODUCT SAFETY NOTICE" IN THE SERVICE MANUAL

CAUTION TO SERVICE TECHNICIANS:

BEFORE RETURNING THE RECEIVER TO CUSTOMER, LEAKAGE CURRENT OR RESISTANCE MEASUREMENTS SHOULD BE PERFORMED TO DETERMINE THAT EXPOSED PARTS ARE PROPERLY INSULATED FROM THE SUPPLY CIRCUIT.

RESISTOR

CARBON FILM	
CARBON COMP	(C.C)
FUSIBLE	(F)
CEMENT	

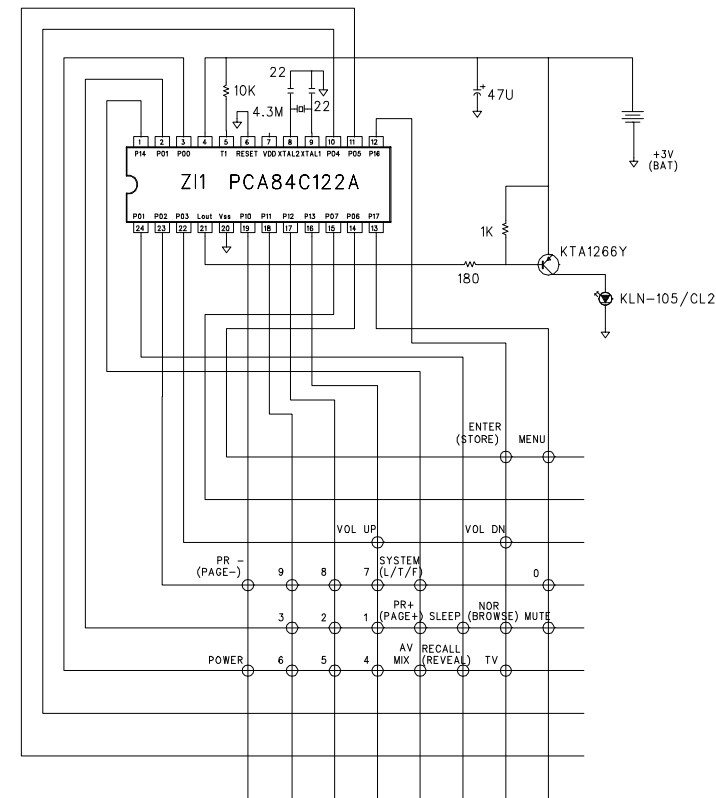
CAPACITOR

ELECTRO	
CERAMIC	
CERAMIC CH	(CH)
ELECTRO NONPOLAR	(NP)
MYLAR	(M)

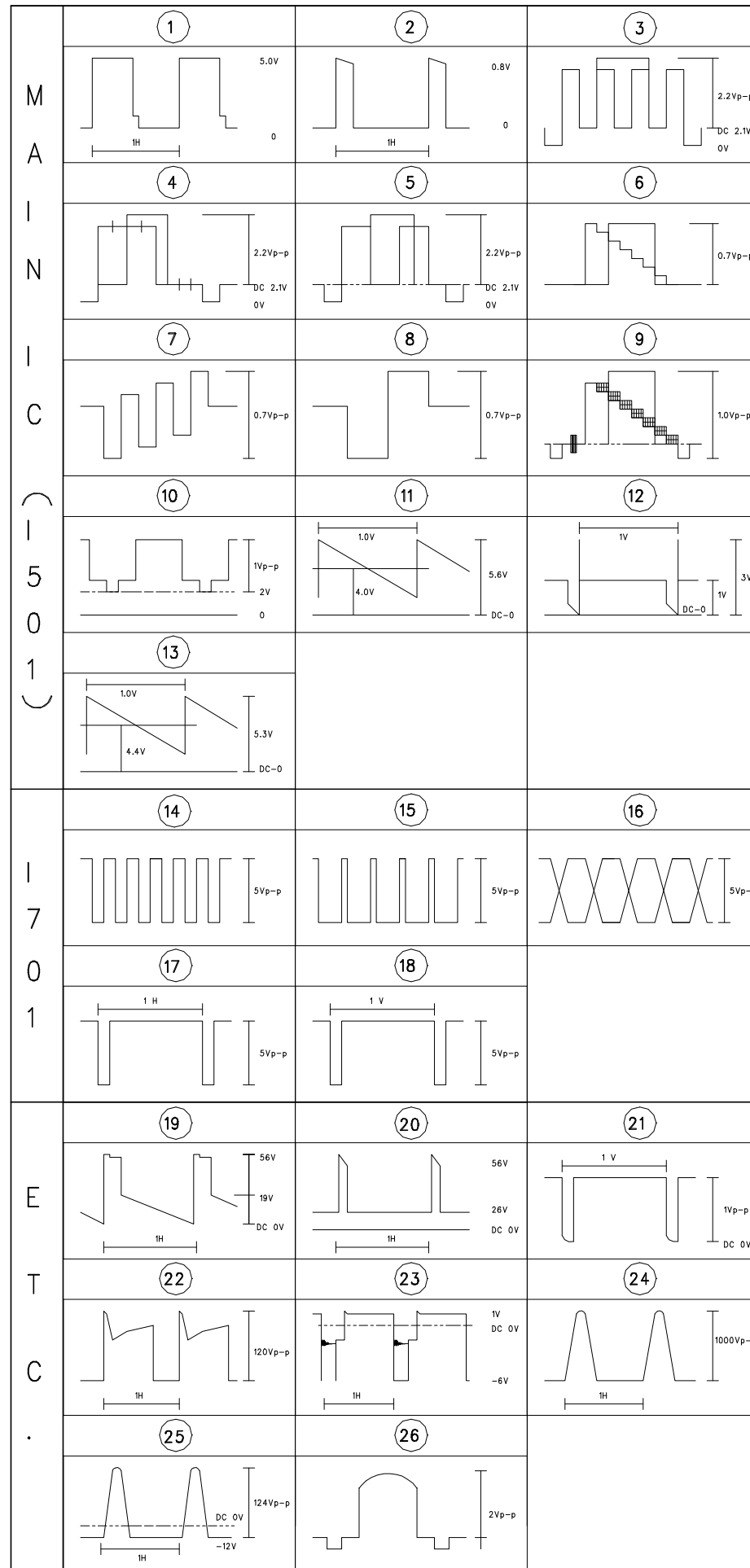
COIL

PEAKING	
CHOKE	
BEAD	

REMOTE CONTROL



*** WAVE FORM**



*** INCH DIFFERENCE PARTS LIST**

NO.	LOC.	29 INCH	25 INCH
1	J054	WIRE COPPER	---
2	D423	---	BYV95C (DIODE)
3	L402	TLN-2092 (COIL WIDTH)	---
4	J047	---	WIRE COPPER
5	C402	200V EU 0.068MF (CM)	---
6	C401	400V EU 0.51MF (CM)	400V PU 0.3MF (CM)
7	C403	1.6KV BUP 8200PF (CM)	1.6KV BUP 6200PF (CM)
8	C404	1.6KV BUP 8200PF (CM)	1.6KV BUP 6200PF (CM)
9	L401	TRL-200D(COIL H-LINERITY)	TRL-2083K(COIL H-LINERITY)
10	T402	FFA94024L (FBT)	1352.5010B (FBT)
11	C421	---	160V RSS 100MF (CE)
12	C417	50V EU 0.056MF (CM)	---
13	R426	1/4W 6.8K OHM	1/4W 7.5K OHM
14	R416	1/4W 18K OHM	1/4W 24K OHM
15	R492	2W 4.3 OHM (F)	2W 4.7 OHM (F)

*** TXT/NON TXT DIFFERENCE PARTS LIST**

NO.	LOC.	WITH OUT TXT	WITH TXT
1	J138	WIRE COPPER	---
2	I702	24LC04B (EEPROM)	24LC08B (EEPROM)
3	JV03	PH-JB-9601(A/V JACK)	---
4	JV01	---	SR-21A1 (SOCKET RGB)
5	P404	---	TAC-L13X-A1(CONN WAFFER)
6	R842	2W 39 OHM (R-SMALL)	2W 22 OHM (R-SMALL)
7	ZZ100	R-33C03 (REMOCON)	R-22A01 (REMOCON)
8	00100	AAM 1.5V (BATTERY)	AAA 1.5V (BATTERY)

DAEWOO

DAEWOO ELECTRONICS CO., LTD

686, AHYEON-DONG MAPO-GU
SEOUL, KOREA
C.P.O. BOX 8003 SEOUL, KOREA
TELEX : DWELEC K28177-8
CABLE : "DAEWOOELEC"
E-mail : G7F00E@web.dwe.co.kr
FAX : 02) 360-8184
TEL: 02) 360-8178-8182

S/M NO. : CM900P-010

PRINTED DATE : JULY 1998