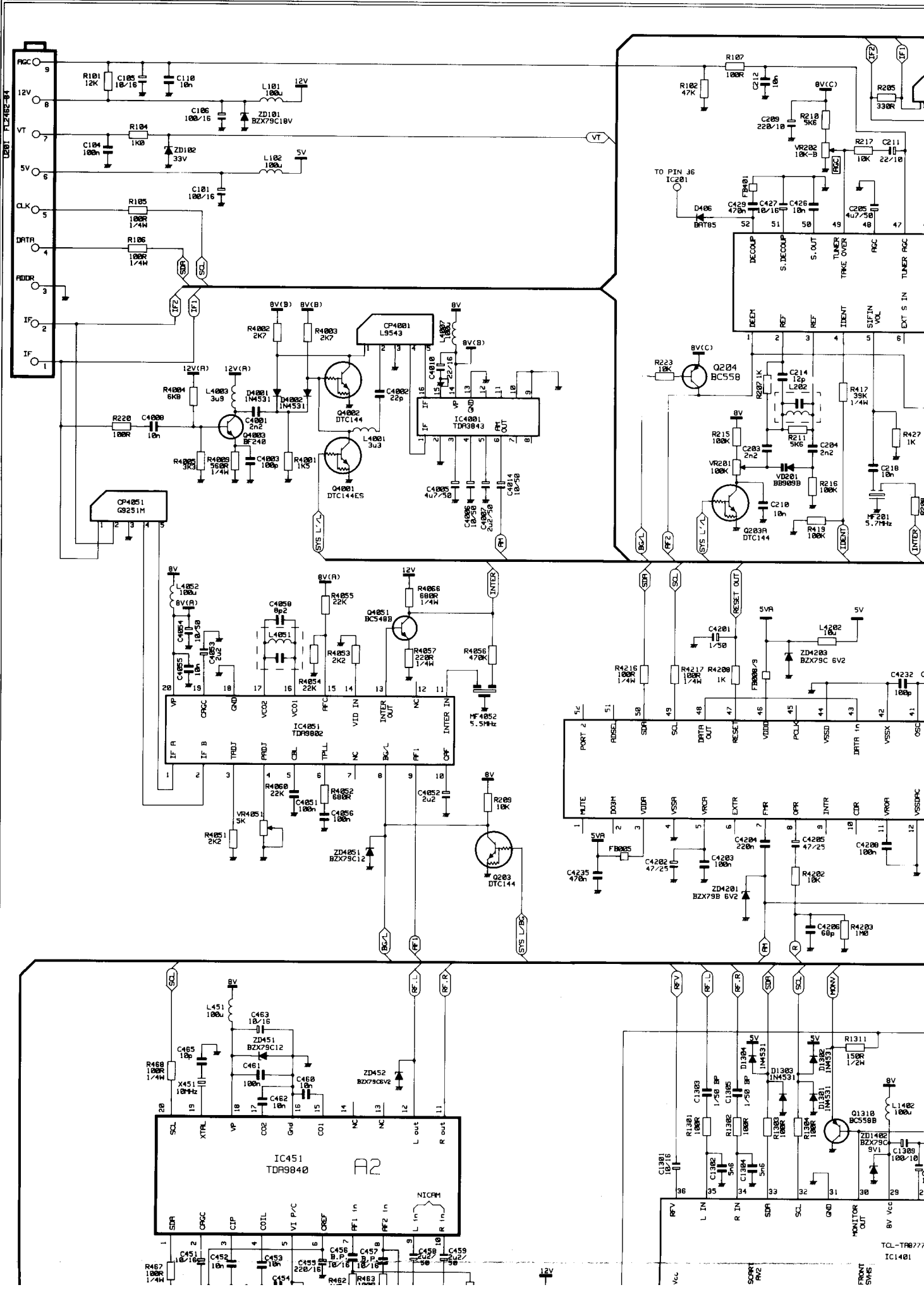
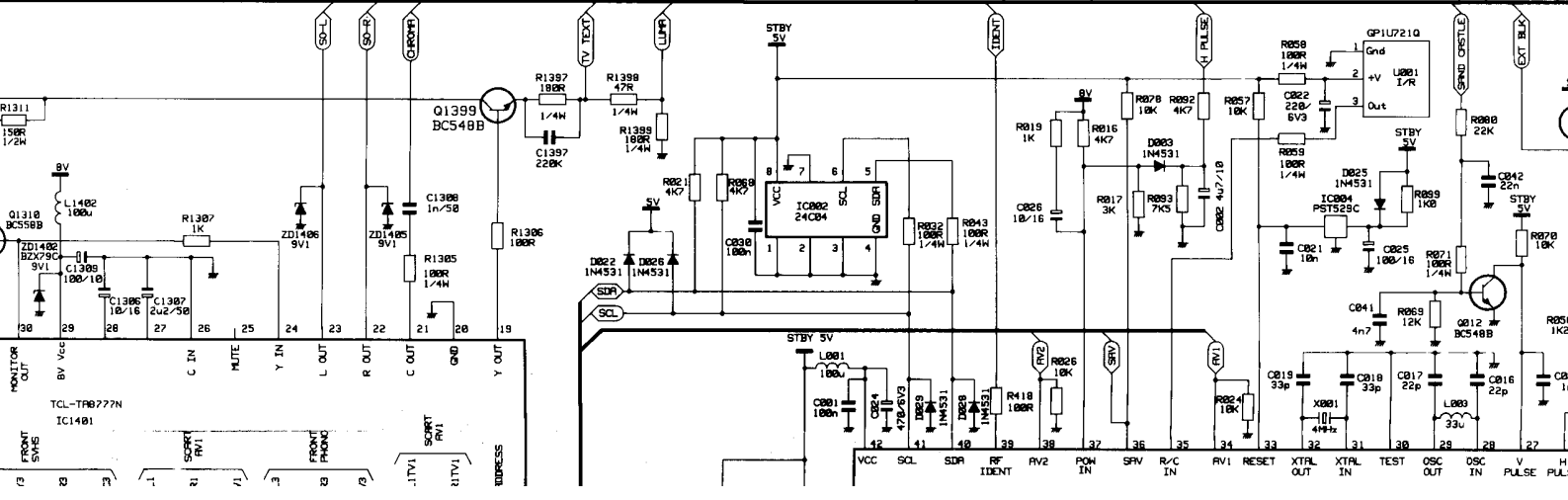
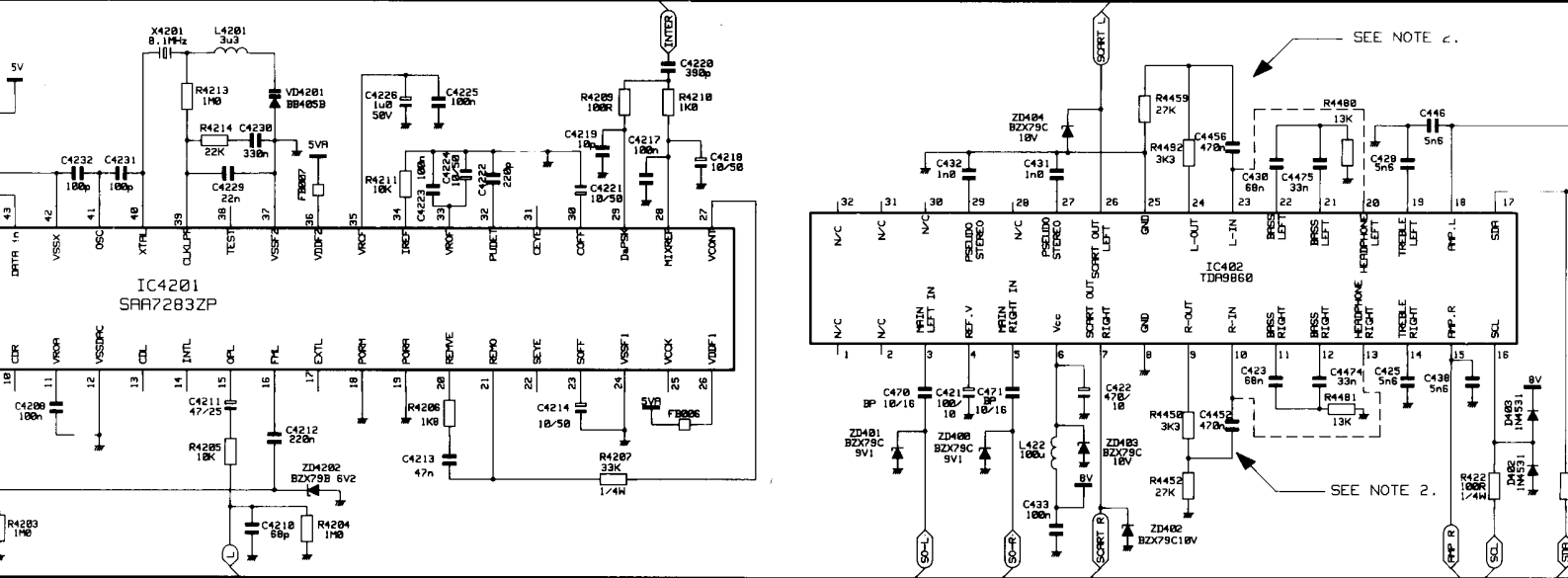
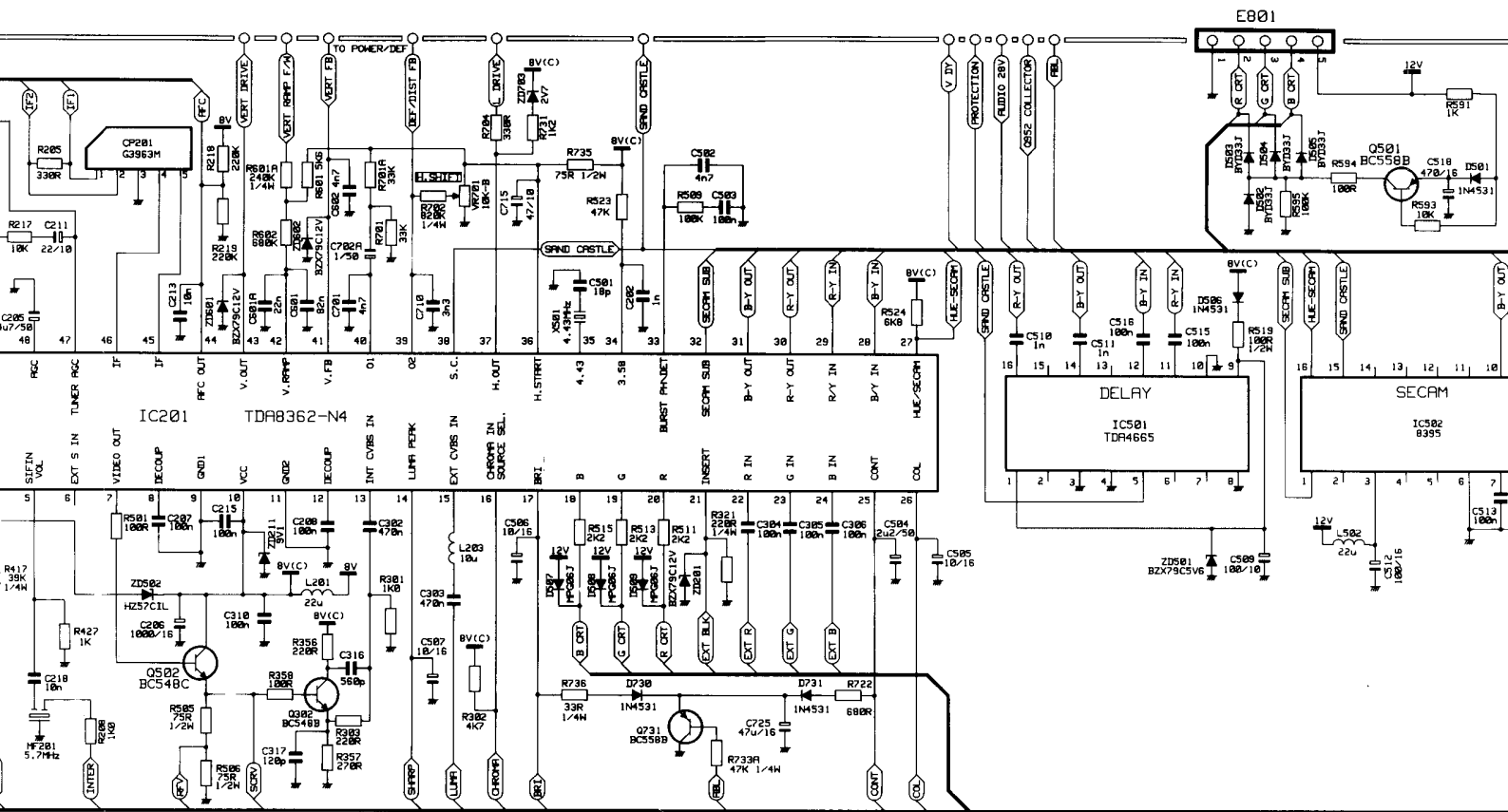


(RAN)



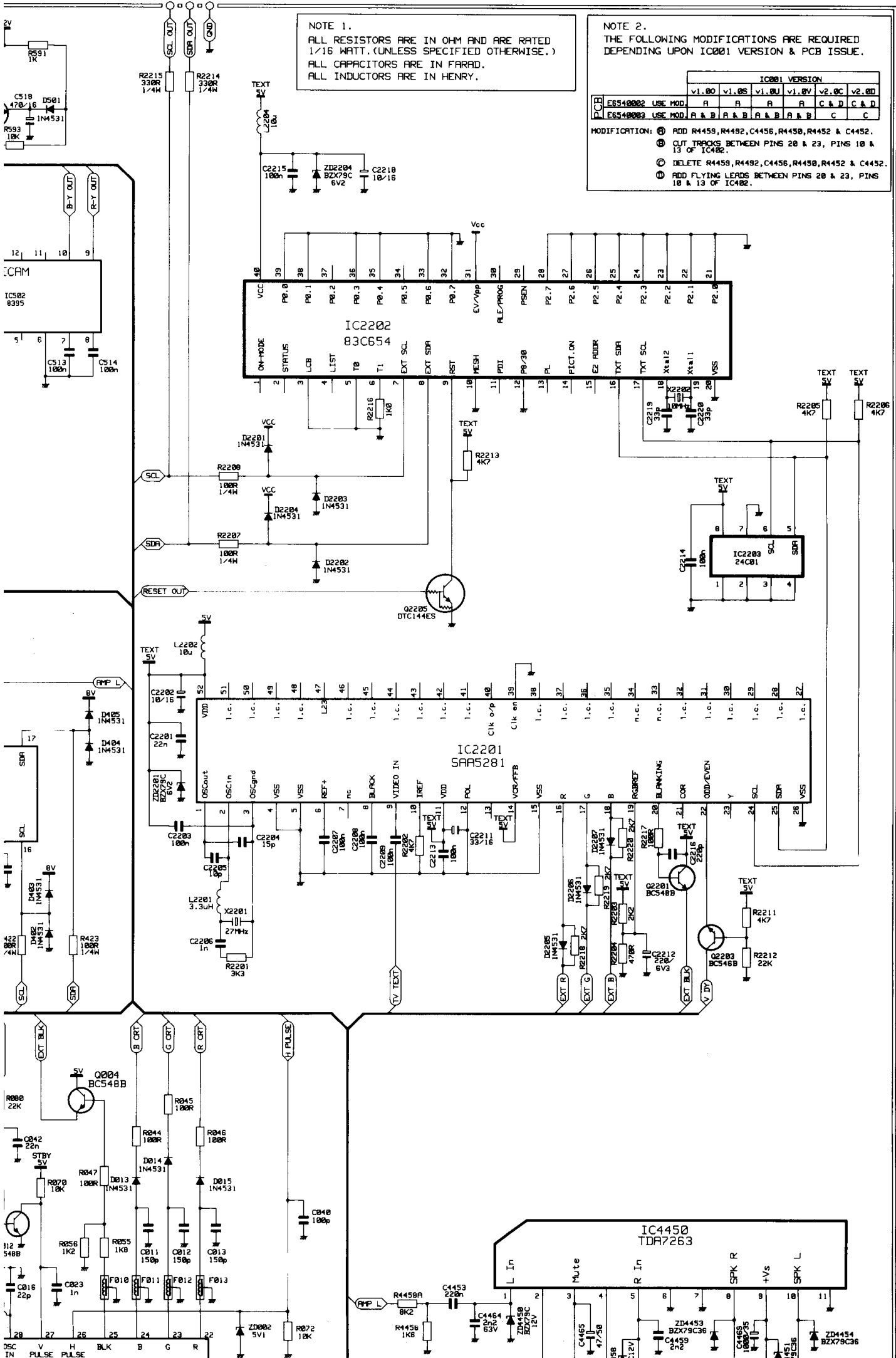


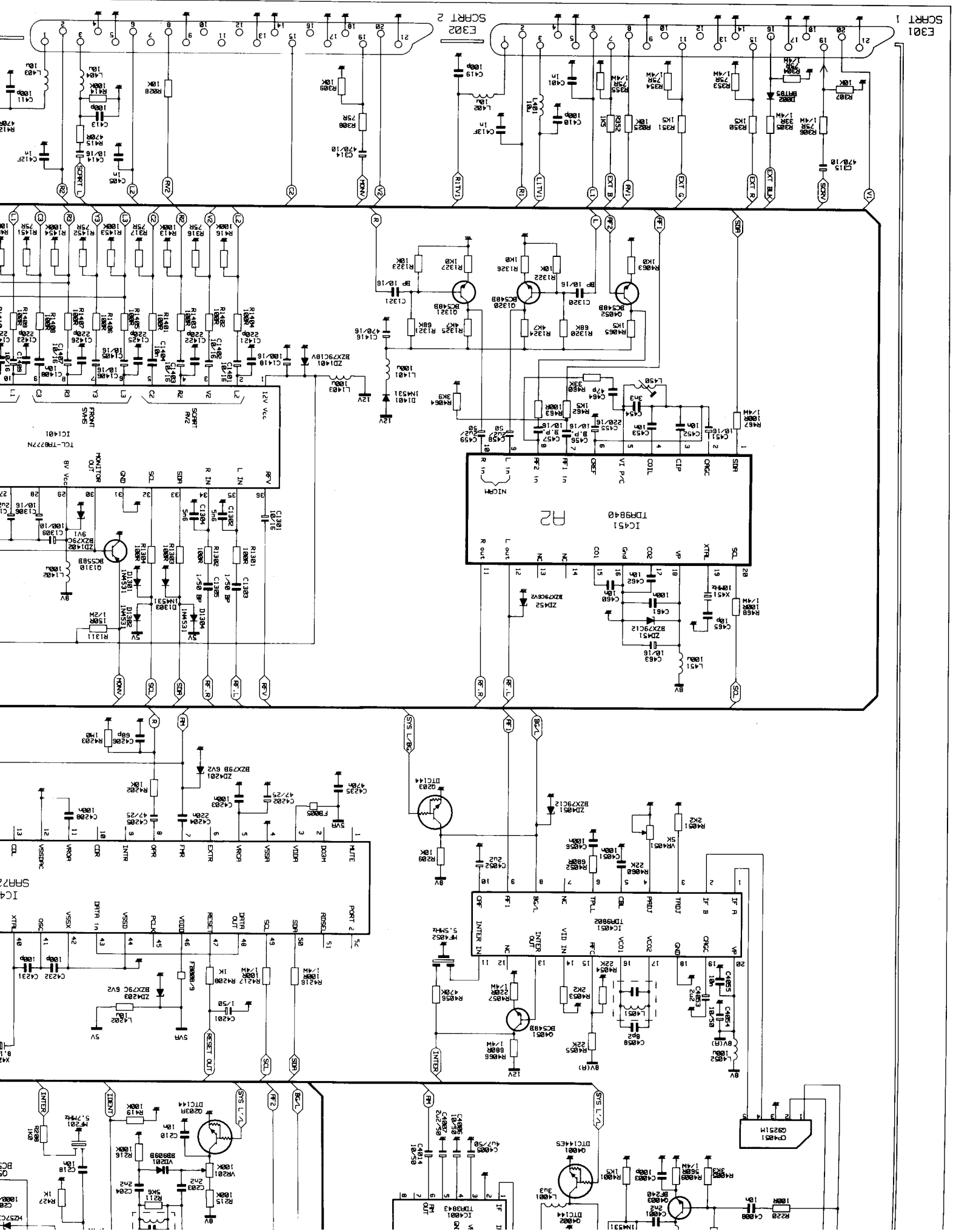
NOTE 1.
 ALL RESISTORS ARE IN OHM AND ARE RATED 1/16 WATT. (UNLESS SPECIFIED OTHERWISE.)
 ALL CAPACITORS ARE IN FARAD.
 ALL INDUCTORS ARE IN HENRY.

NOTE 2.
 THE FOLLOWING MODIFICATIONS ARE REQUIRED
 DEPENDING UPON IC001 VERSION & PCB ISSUE.

		IC001 VERSION					
		v1.00	v1.05	v1.0U	v1.0V	v2.0C	v2.0D
C	E6540002 USE MOD	A	A	A	A	C & D	C & D
D	E6540003 USE MOD	A & B	A & B	A & B	A & B	C	C

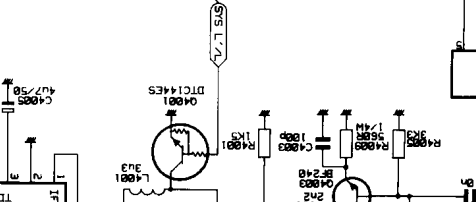
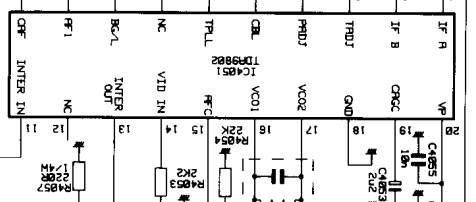
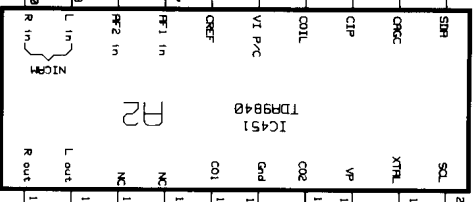
MODIFICATION:
 ① ADD R4459, R4492, C4456, R4450, R4452 & C4452.
 ② CUT TRACKS BETWEEN PINS 20 & 23, PINS 10 & 13 OF IC402.
 ③ DELETE R4459, R4492, C4456, R4450, R4452 & C4452.
 ④ ADD FLYING LEADS BETWEEN PINS 20 & 23, PINS 10 & 13 OF IC402.





SCRT 1

SCRT 2

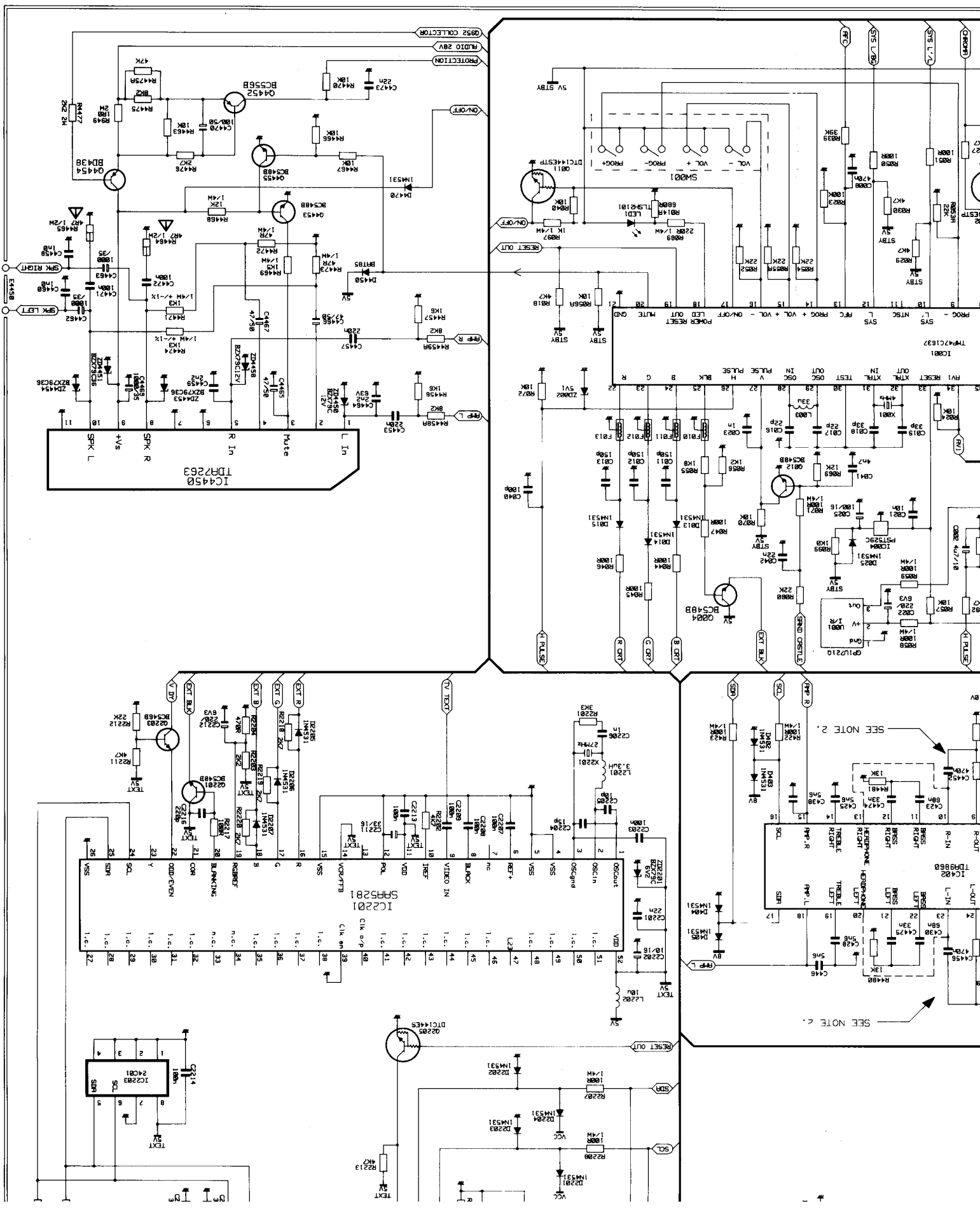


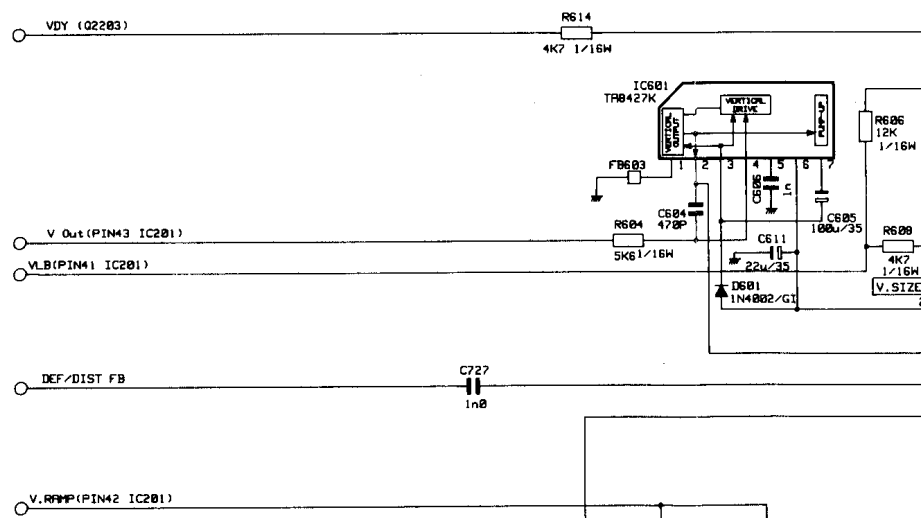
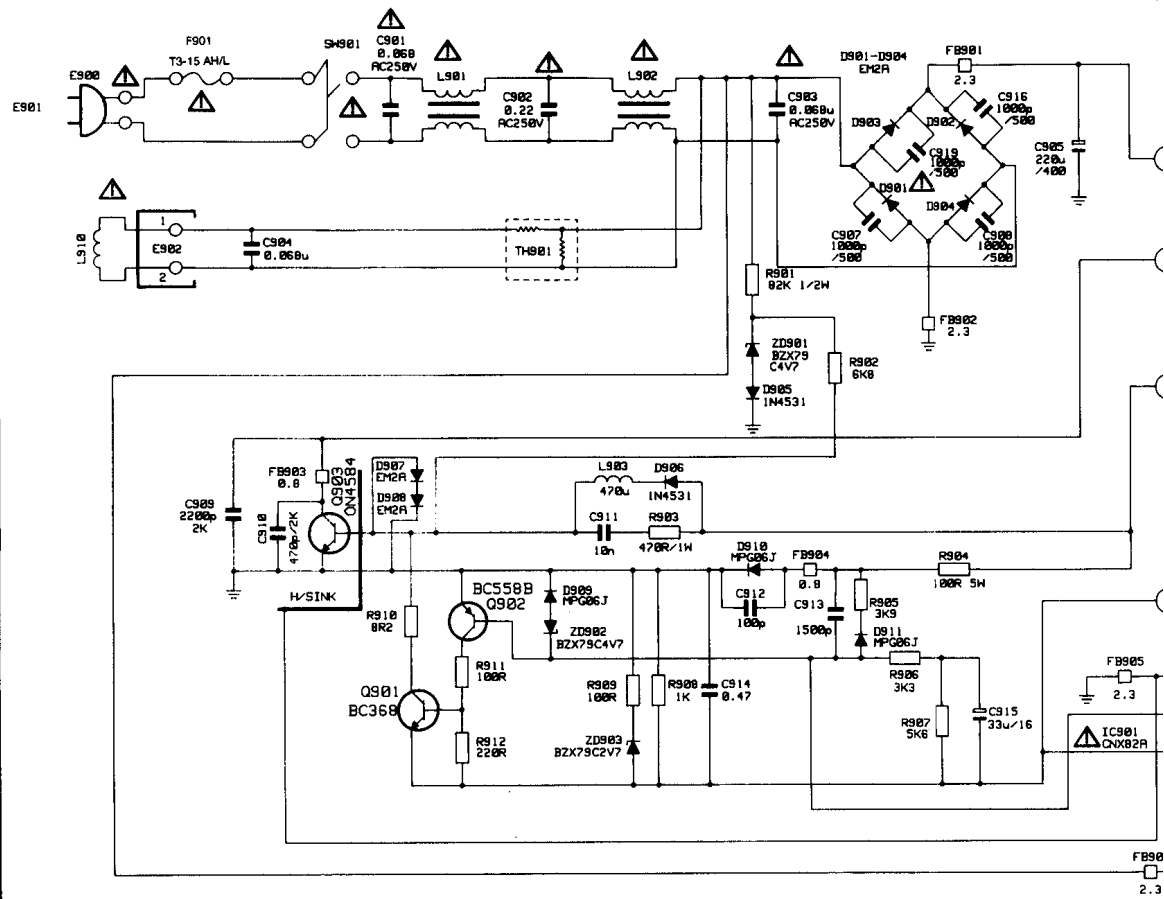
IC1401

IC4

IC4

IC4

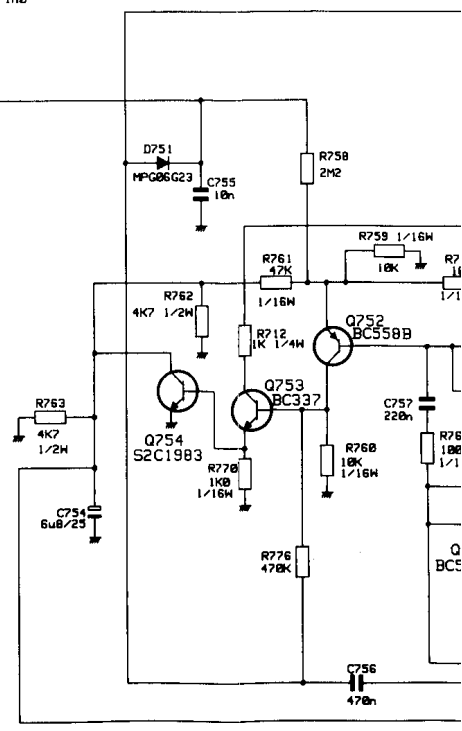


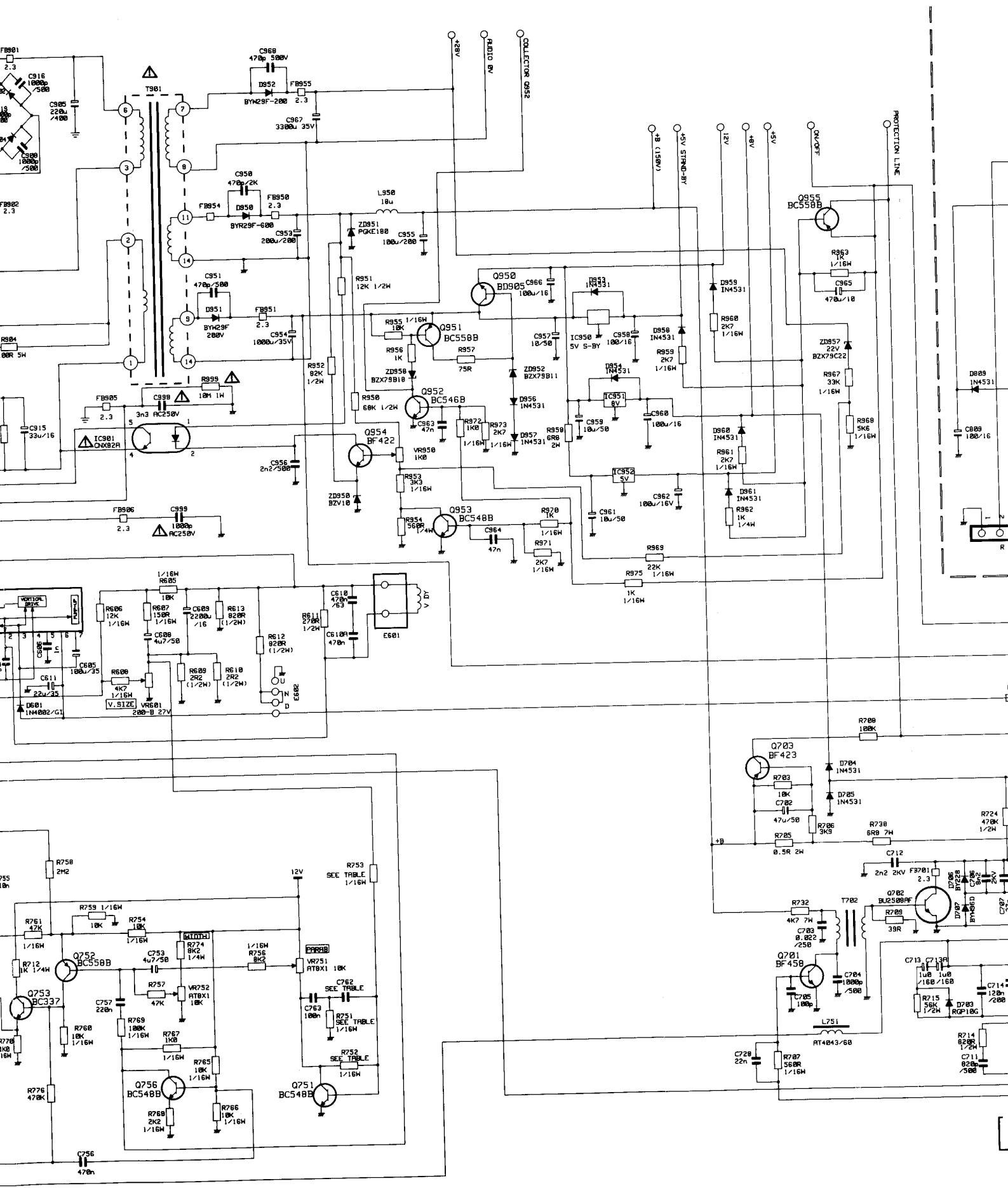


COMPONENT	25" VALUE	28" VALUE
R751	27K	39K
R752	180K	220K

NOTE

UNLESS STATED OTHERWISE:-
 ALL RESISTOR VALUES ARE OHMS
 RESISTOR ARE RATED AT 1/4W
 ALL CAPACITOR VALUES ARE FARAD
 ALL INDUCTORS ARE IN HENRY





CIRCUIT D'ALIMENTATION ÉLECTRIQUE ET DE DÉVIATION (CL25/2846TAN, CL2841/TAN/RAN)