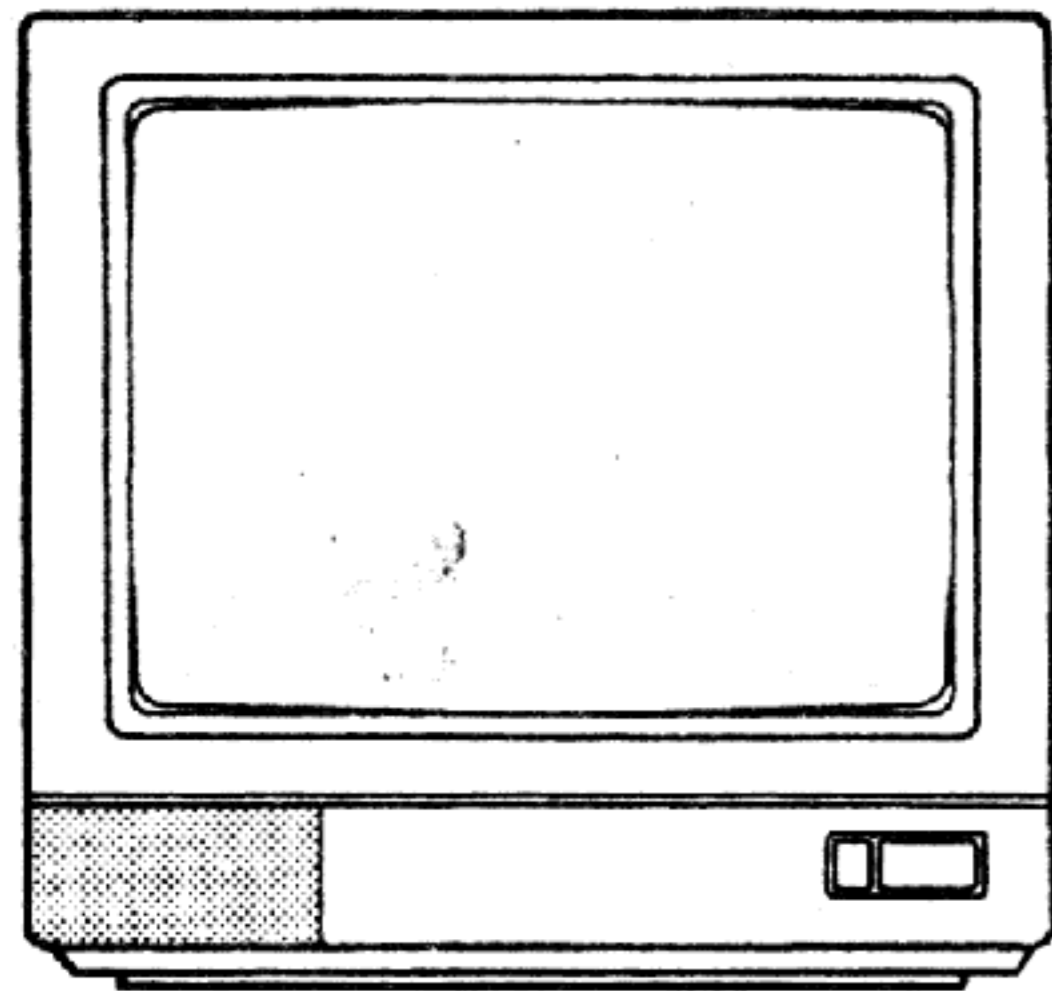


REMOTE CONTROL CIRCUIT DIAGRAM



January 1991

YOKOHAMA WORKS



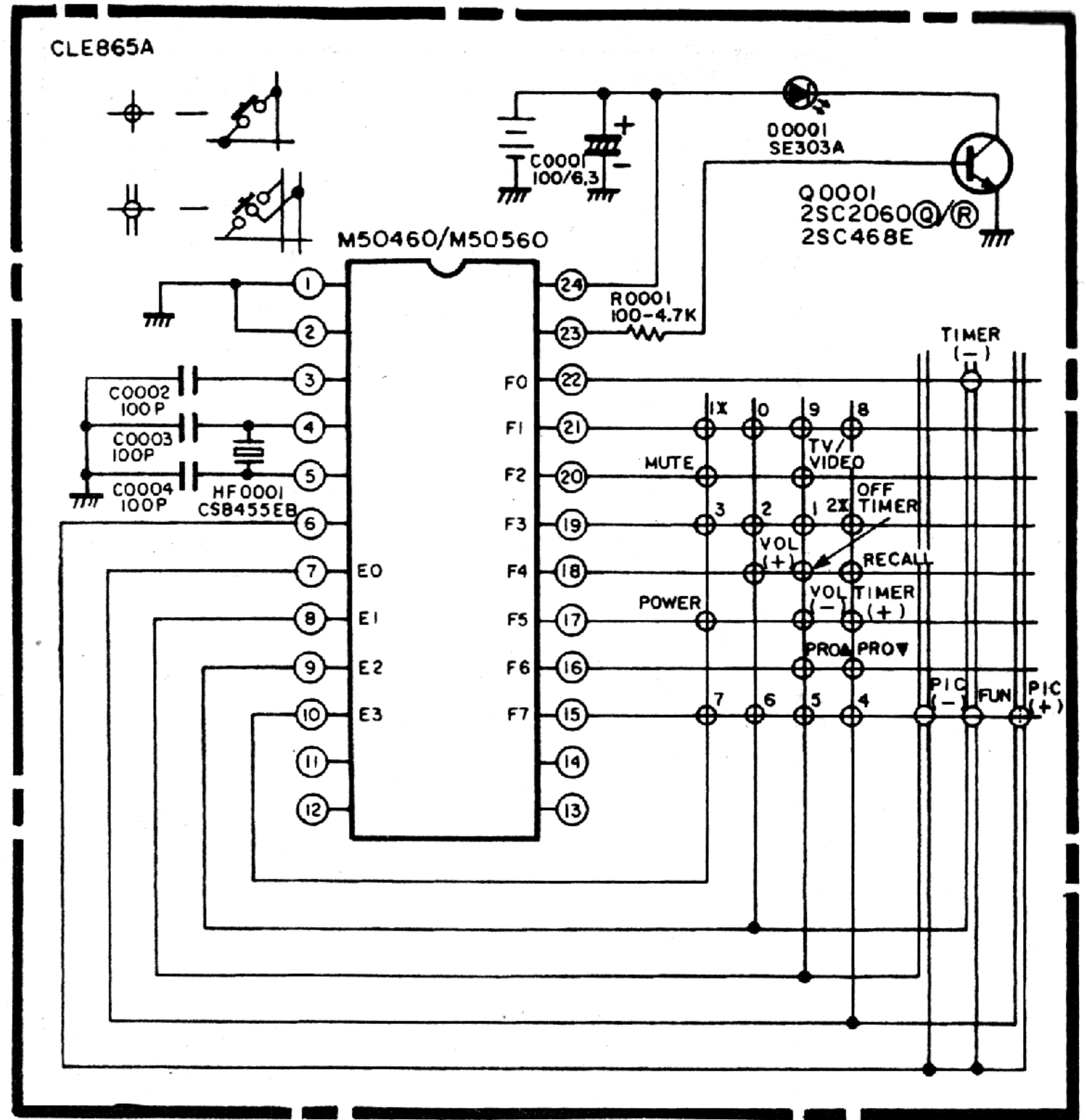
PAL/SECAM

YK

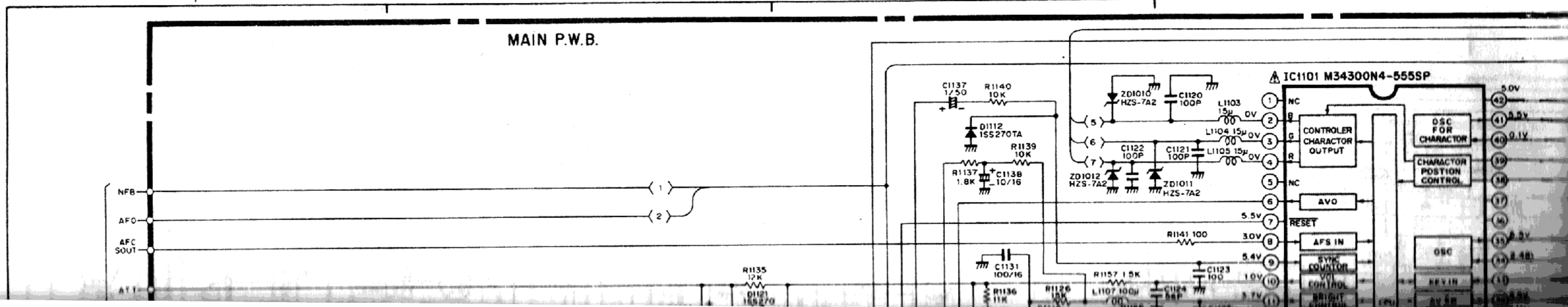
No.0383E

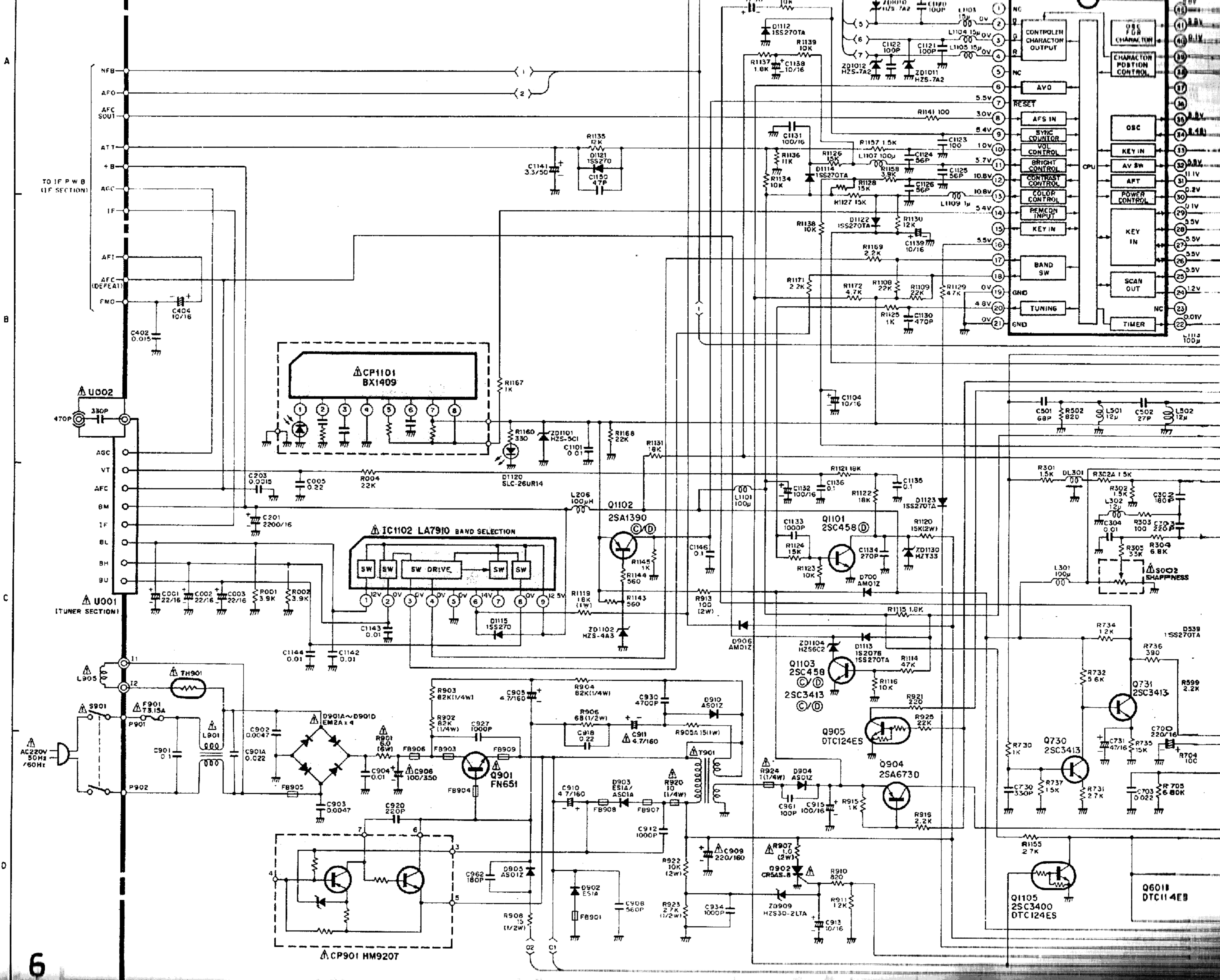
CMT1450

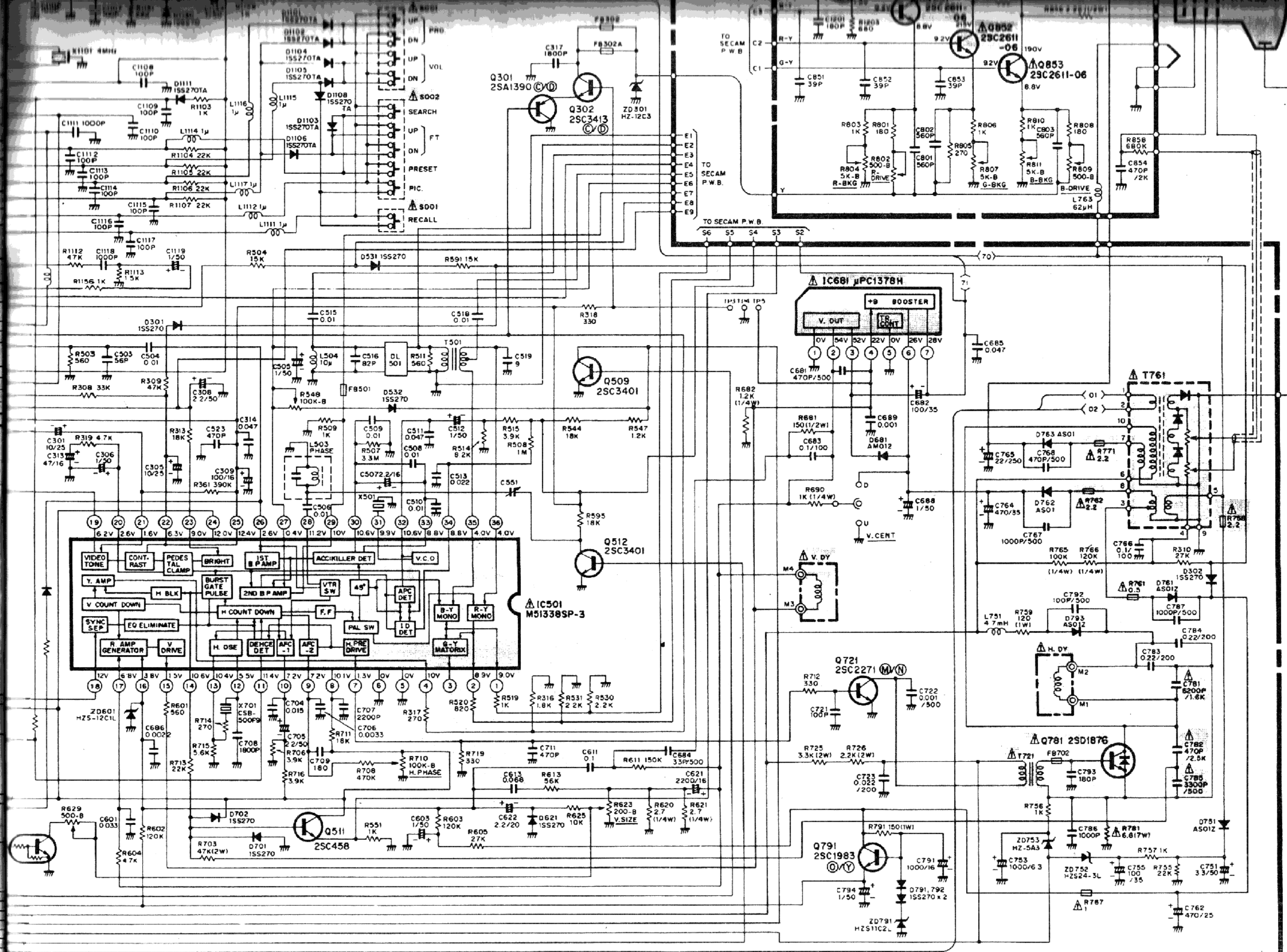
G7PN-26 Chassis



BASIC



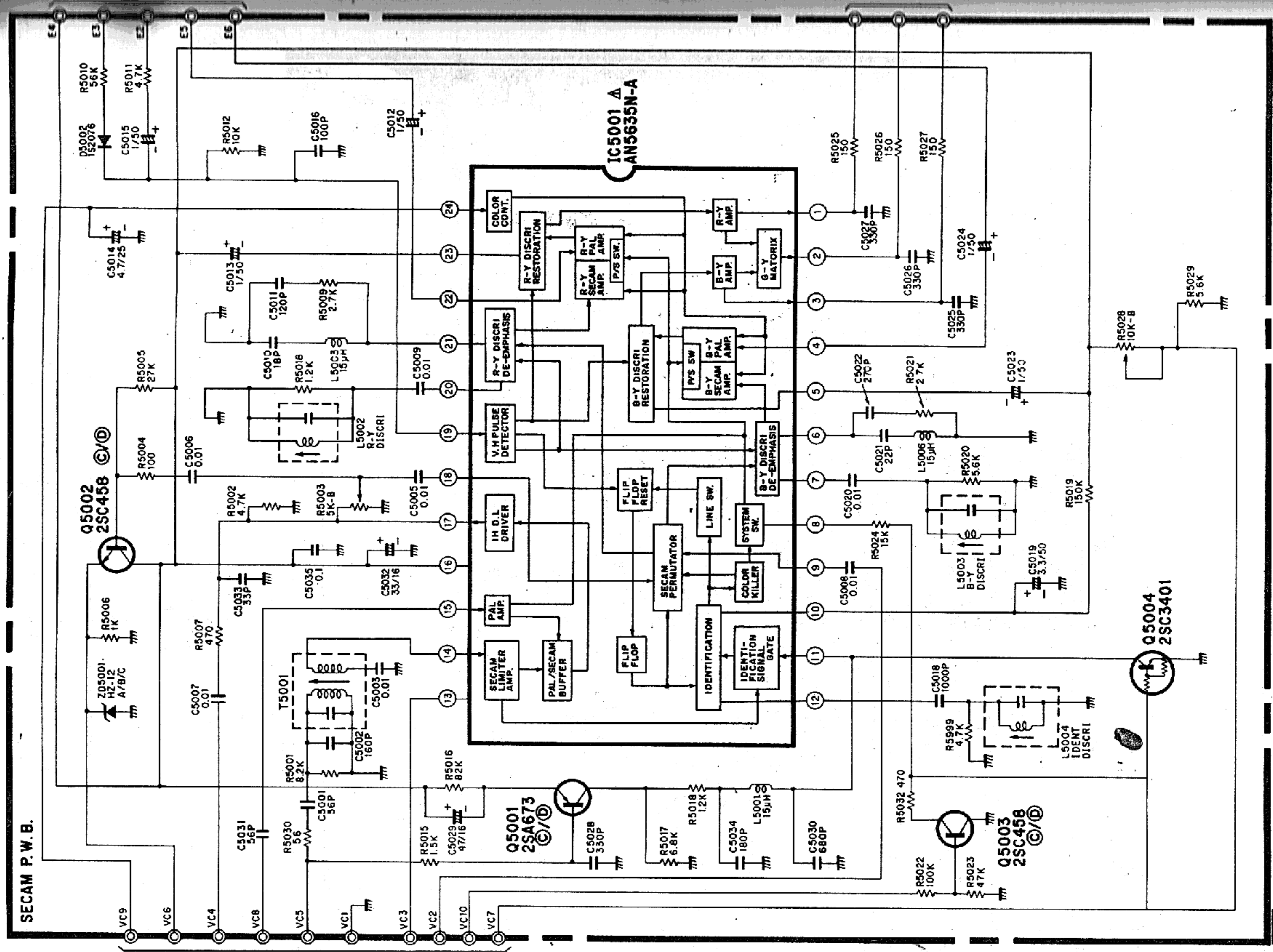




CIRCUIT DIAGRAM

5

SECAM P.W.B.



CPT P.W.B.

