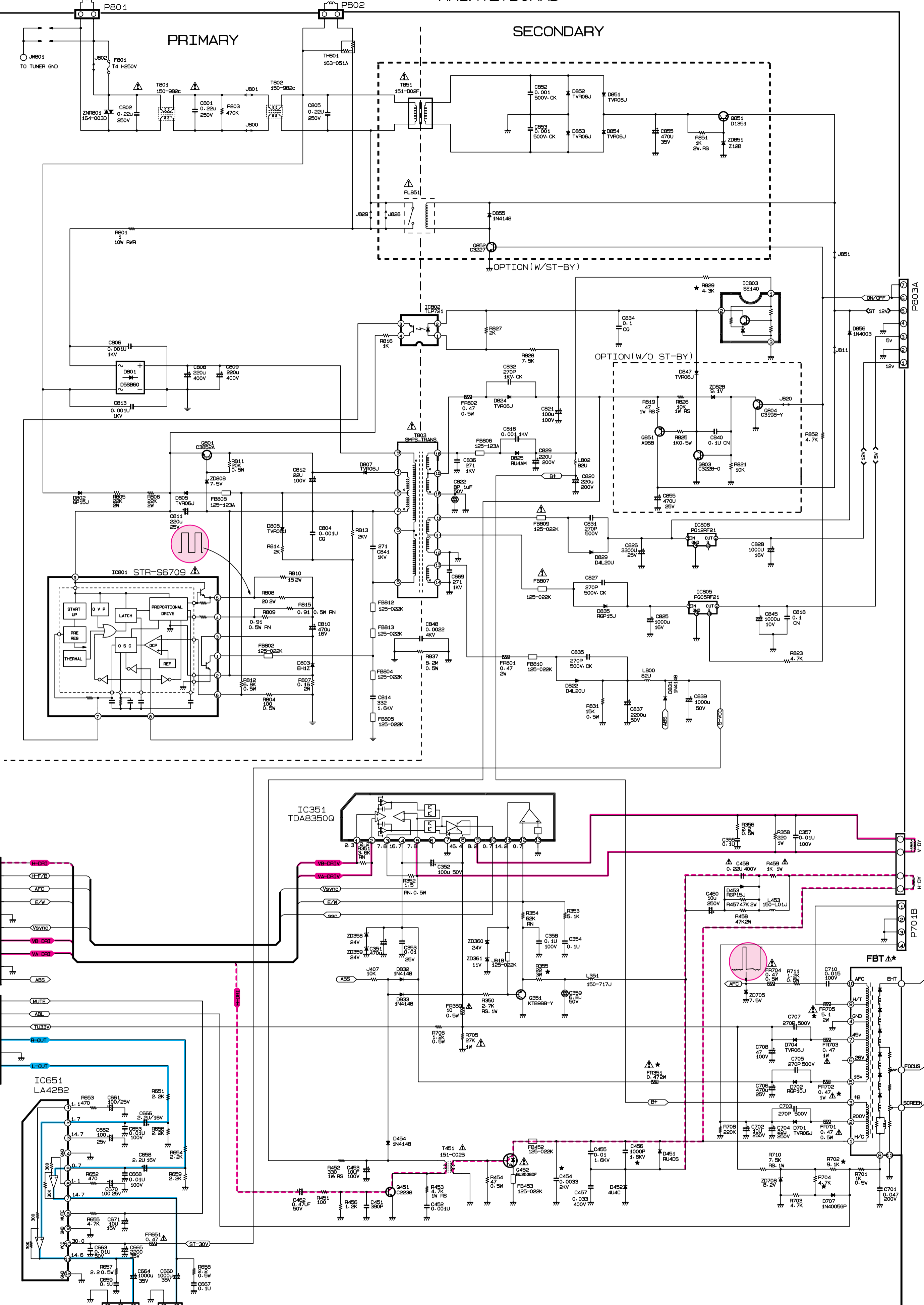


● ADJUSTMENT  
● WAVEFORM  
— SOUND  
— VERTICAL  
— VIF/CVBS  
- - - EXT.SOUND  
- - - HORIZONTAL  
- - - EXT.VIDEO

P/N: 484-933A-S1(1/2)  
971120

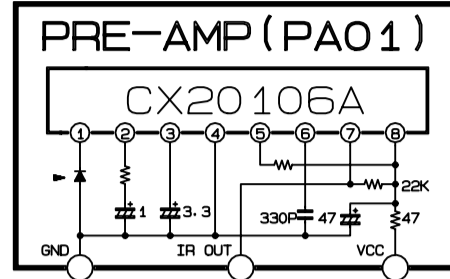
MAIN (2) BOARD



NOTICE

Since this is basic circuit diagram. The value of components and some partial connection are subject to change for improvement without notice.

The components marked  $\Delta$  conform to VDE or IEC guide-lines and are essential for safe operation of the TV receiver. While those marked  $\Delta$  are required for correct operation. Use specified parts only when replacing.

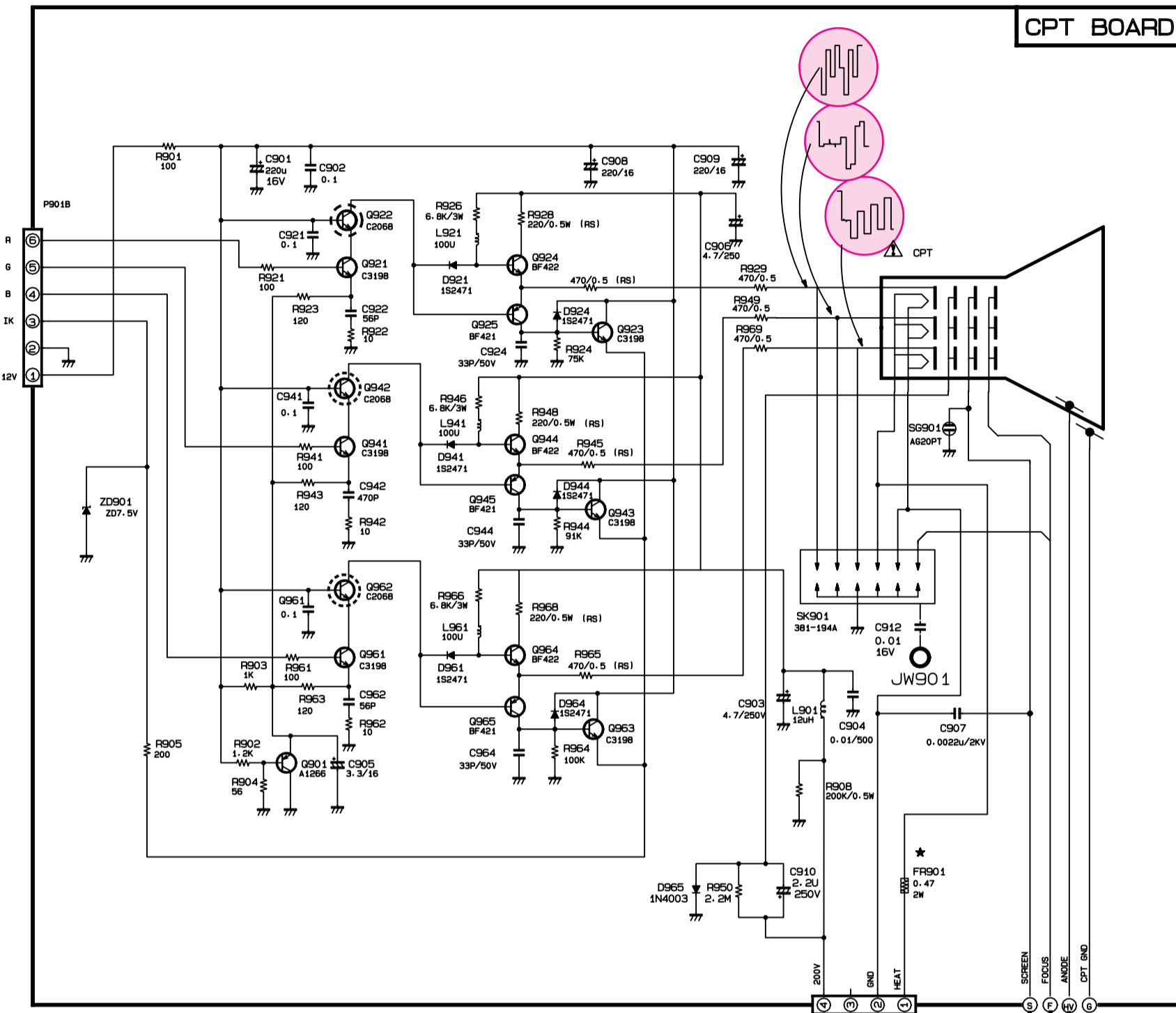


Value of resistor, capacitor and inductor

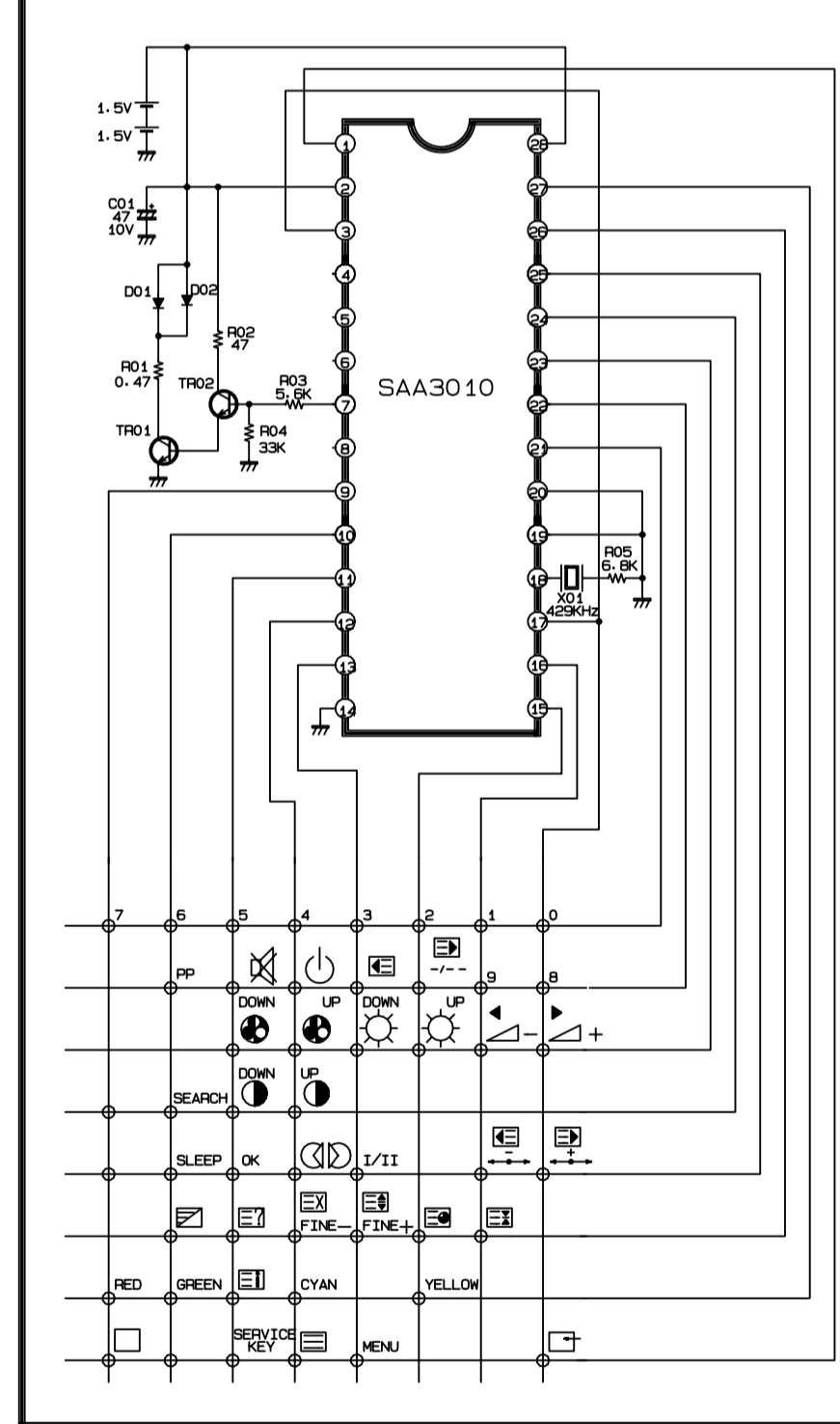
- Resistances are shown in ohm. K=1,000. M=1,000,000.
- Unless otherwise noted in schematic. All capacitor values less than 1 are expressed in mfd and the values more than 1 in pF.
- Unless otherwise noted in schematic. All inductor values more than 1 are expressed in uH and the values less than 1 in Henry(H).

Observation of voltages and waveforms

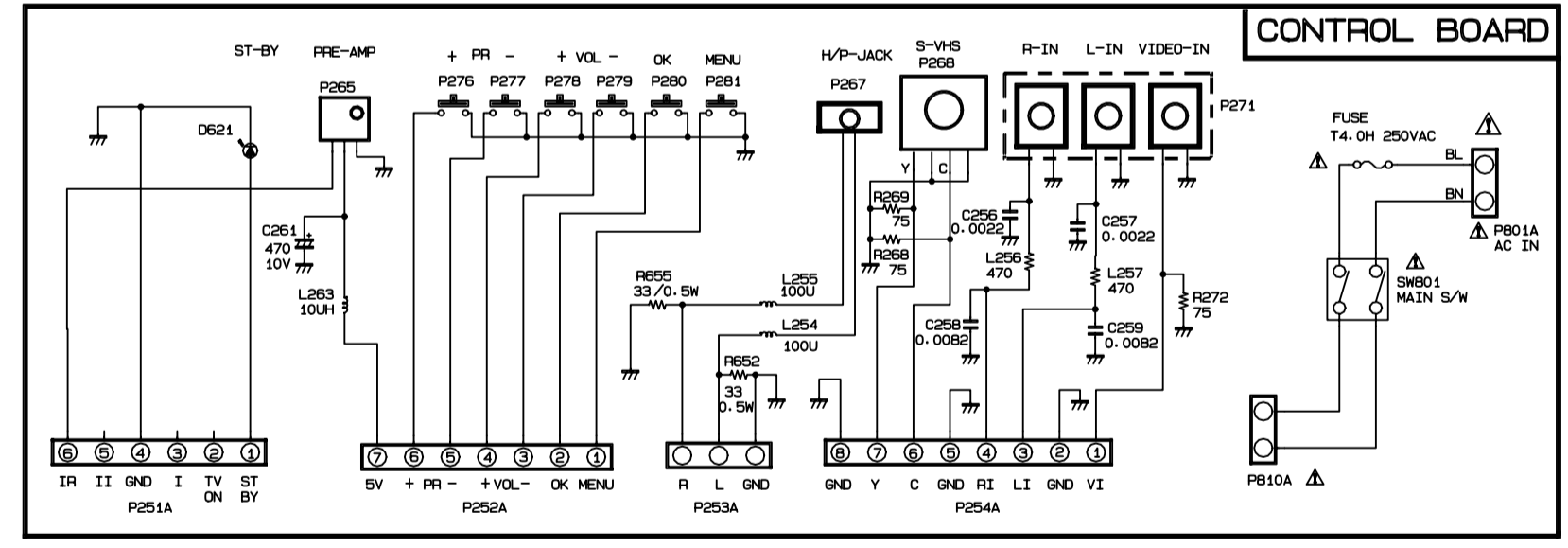
- Voltages read with VTVM from point to chassis ground. line voltage is 230V/-20% volts. signal pattern is colour-bar.
- The schematic shown is representative only.
- All waveforms are taken using a wide band oscilloscope and a low capacity probe.
- Check FINE TUNING, AGC, CONTRAST, BRIGHTNESS and COLOUR controls for best picture. make sure that COLOUR and BRIGHTNESS are in mid-point and CONTRAST is in 75%.
- Waveforms are taken using a standard colour signal.



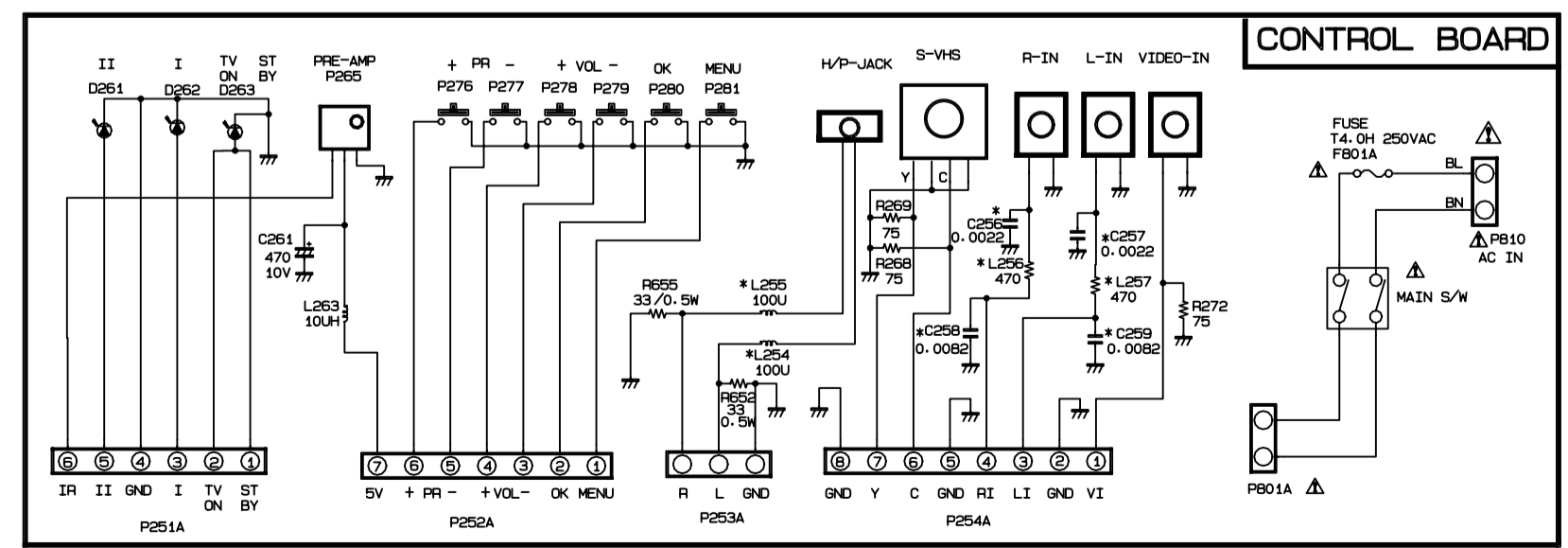
REMOTE CONTROL BOARD



< FOR A50 SERIES >



< FOR C28/A28 SERIES >



P/N: 484-933A-S1(2/2)  
971120