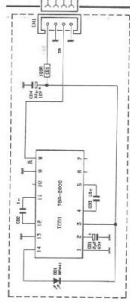
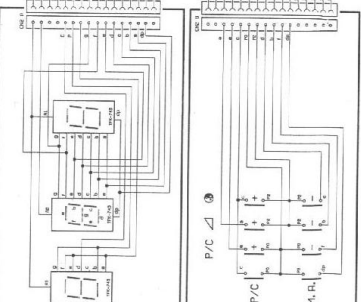


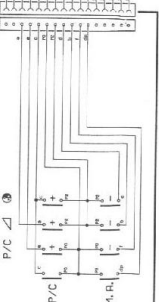
IR 4800



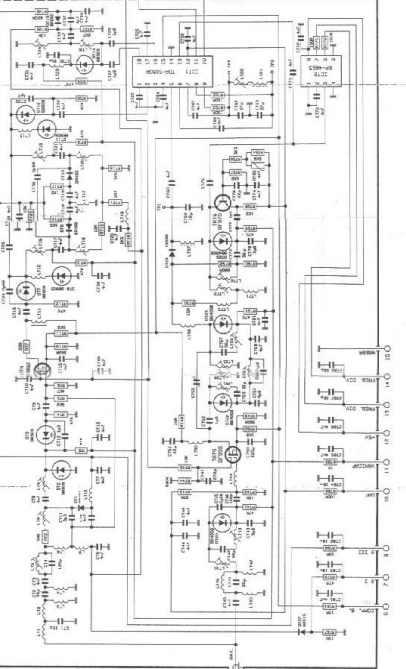
DY 4800



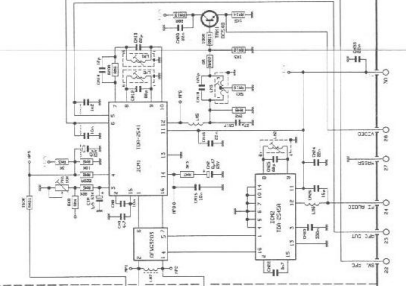
CL 4800



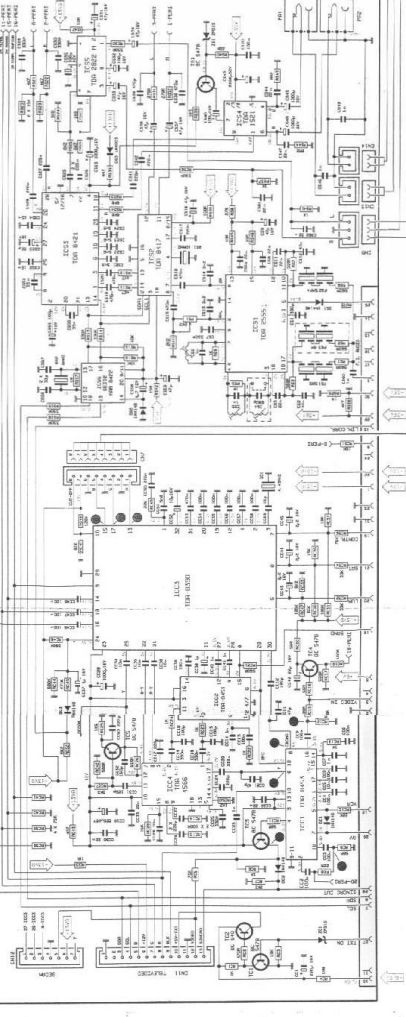
TUNER
FES18
D/6456



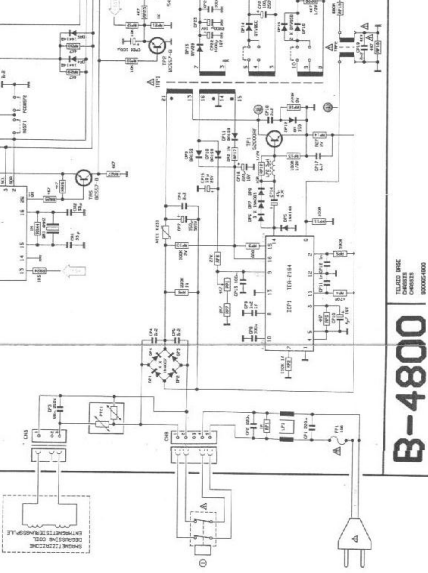
FI



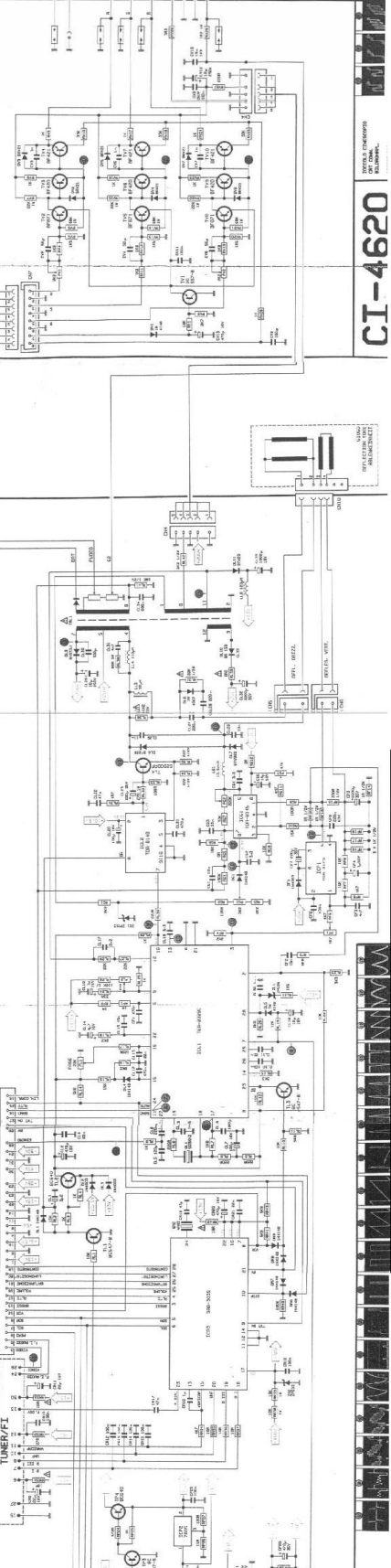
CR-4800



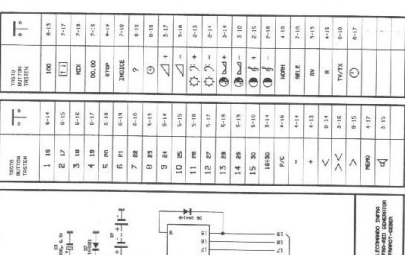
B-4800



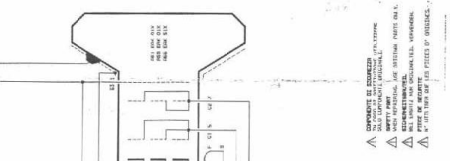
CI-4620



TC 4800



TEST POINT	TEST SIGNAL	TEST POINT	TEST SIGNAL
1	1.18	11	1.18
2	1.18	12	1.18
3	1.18	13	1.18
4	1.18	14	1.18
5	1.18	15	1.18
6	1.18	16	1.18
7	1.18	17	1.18
8	1.18	18	1.18
9	1.18	19	1.18
10	1.18	20	1.18
11	1.18	21	1.18
12	1.18	22	1.18
13	1.18	23	1.18
14	1.18	24	1.18
15	1.18	25	1.18
16	1.18	26	1.18
17	1.18	27	1.18
18	1.18	28	1.18
19	1.18	29	1.18
20	1.18	30	1.18
21	1.18	31	1.18
22	1.18	32	1.18
23	1.18	33	1.18
24	1.18	34	1.18
25	1.18	35	1.18
26	1.18	36	1.18
27	1.18	37	1.18
28	1.18	38	1.18
29	1.18	39	1.18
30	1.18	40	1.18
31	1.18	41	1.18
32	1.18	42	1.18
33	1.18	43	1.18
34	1.18	44	1.18
35	1.18	45	1.18
36	1.18	46	1.18
37	1.18	47	1.18
38	1.18	48	1.18
39	1.18	49	1.18
40	1.18	50	1.18



STUDIO 681
STUDIO 701

ORION

- ▲ SPINNING DISK MOTOR
- ▲ MOTOR DRIVE
- ▲ MOTOR DRIVE
- ▲ MOTOR DRIVE
- ▲ MOTOR DRIVE
- ▲ MOTOR DRIVE

STUDIO 681
STUDIO 701

STUDIO 681
STUDIO 701

STUDIO 681
STUDIO 701