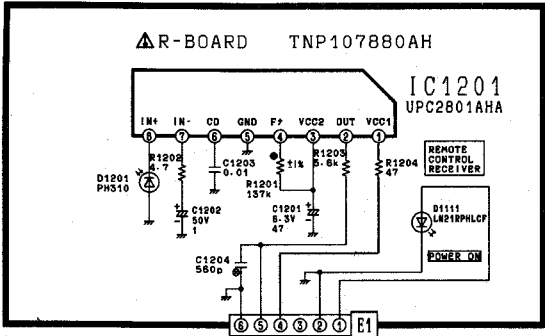
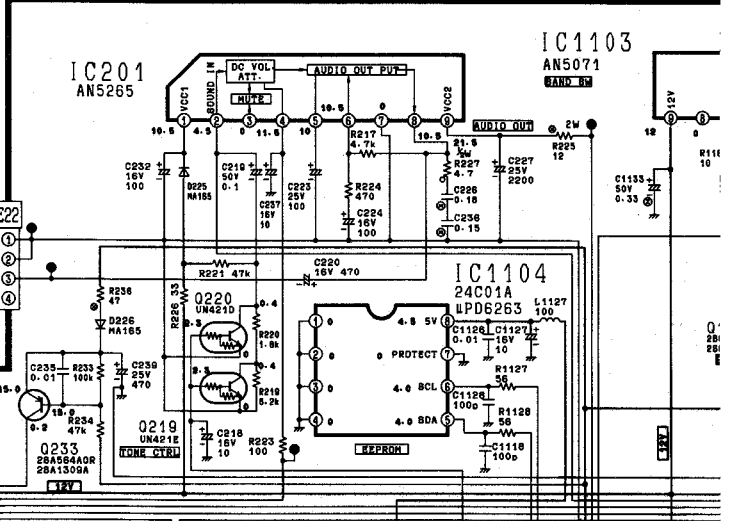


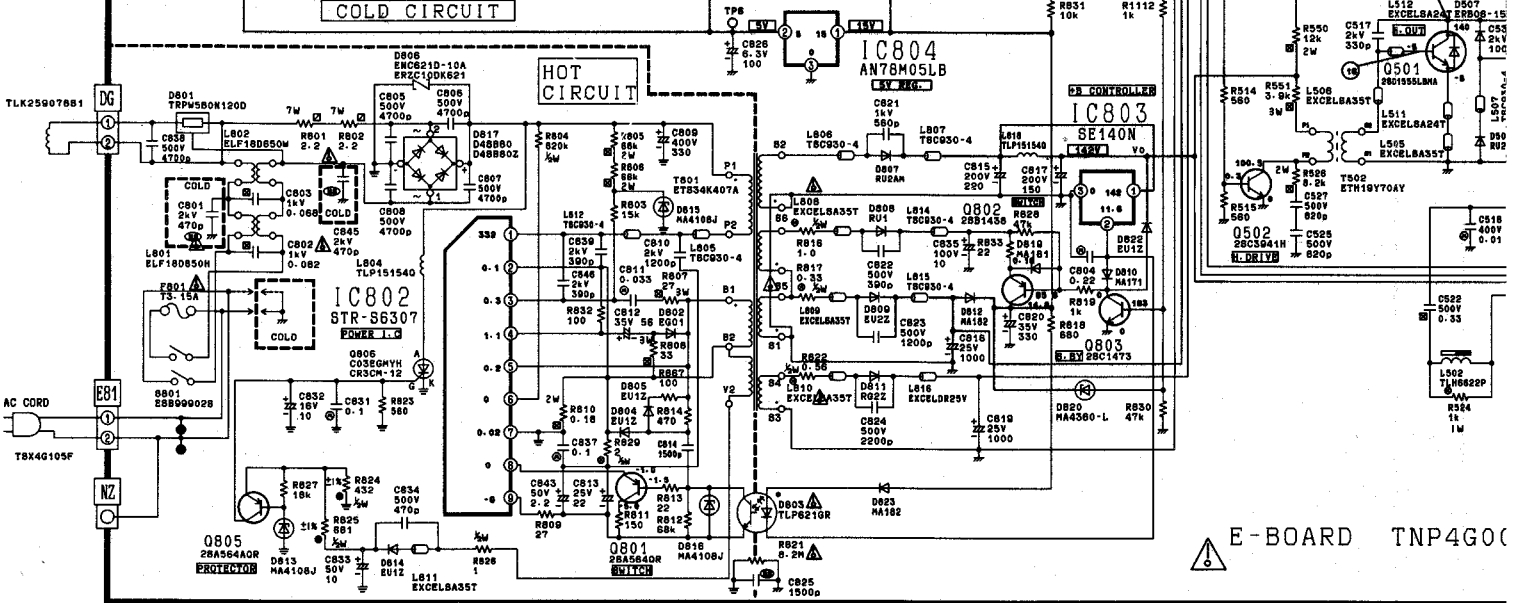
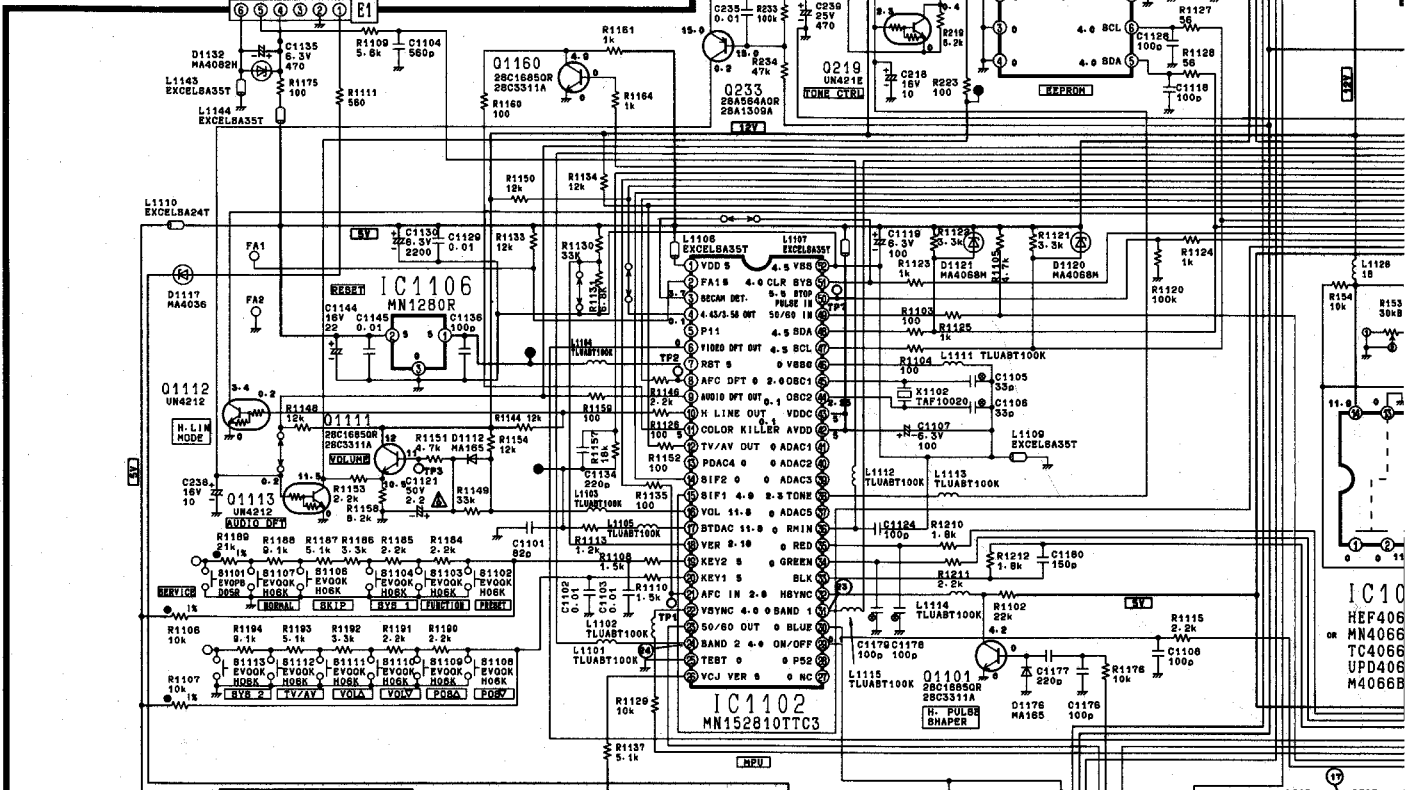
R-BOARD TNP107880AH



IC201 AN5265



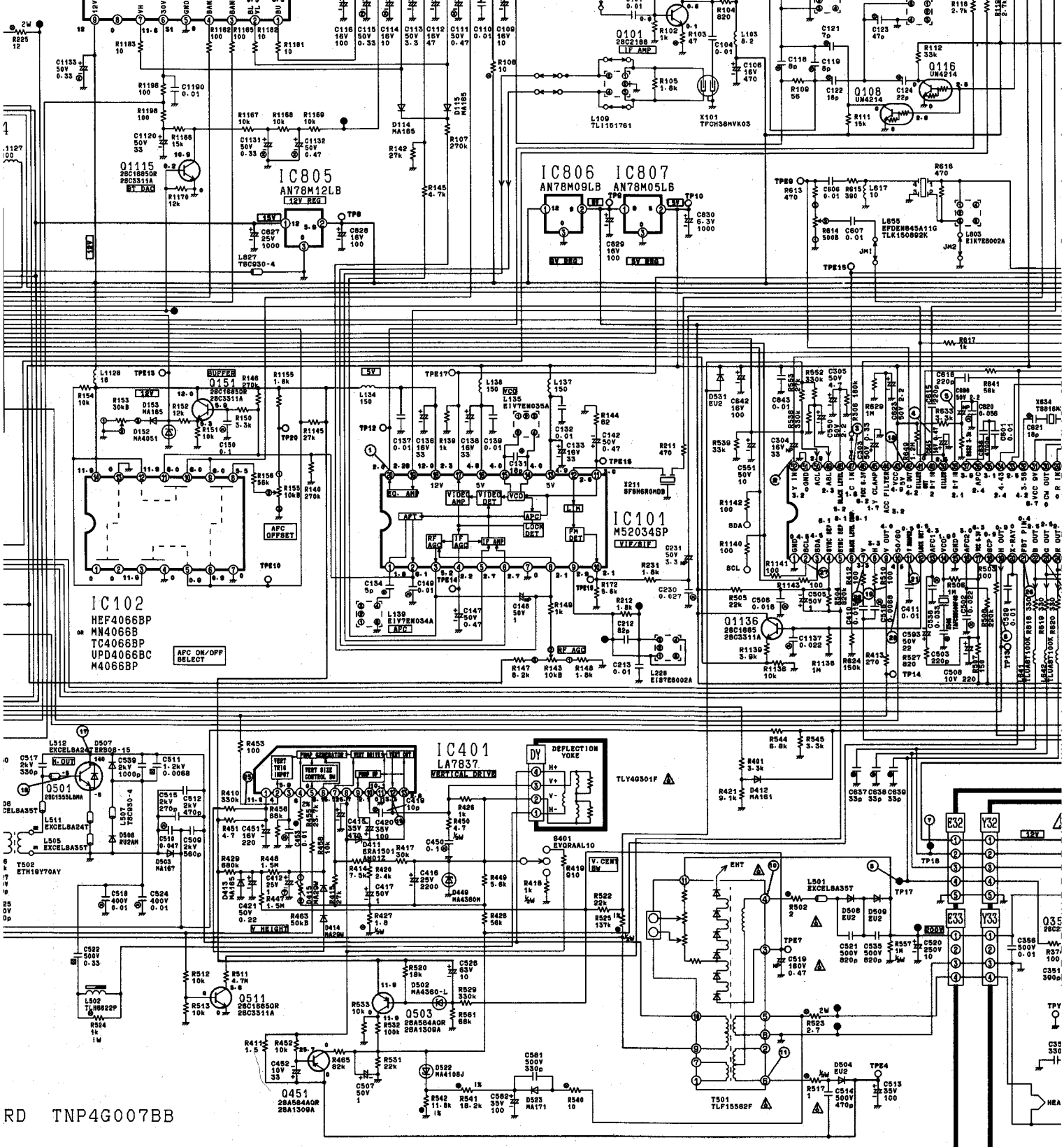
IC1103 AN5071



IC1103

AN5071

BAND RM



RD TNP4G007BB

