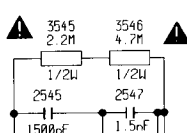
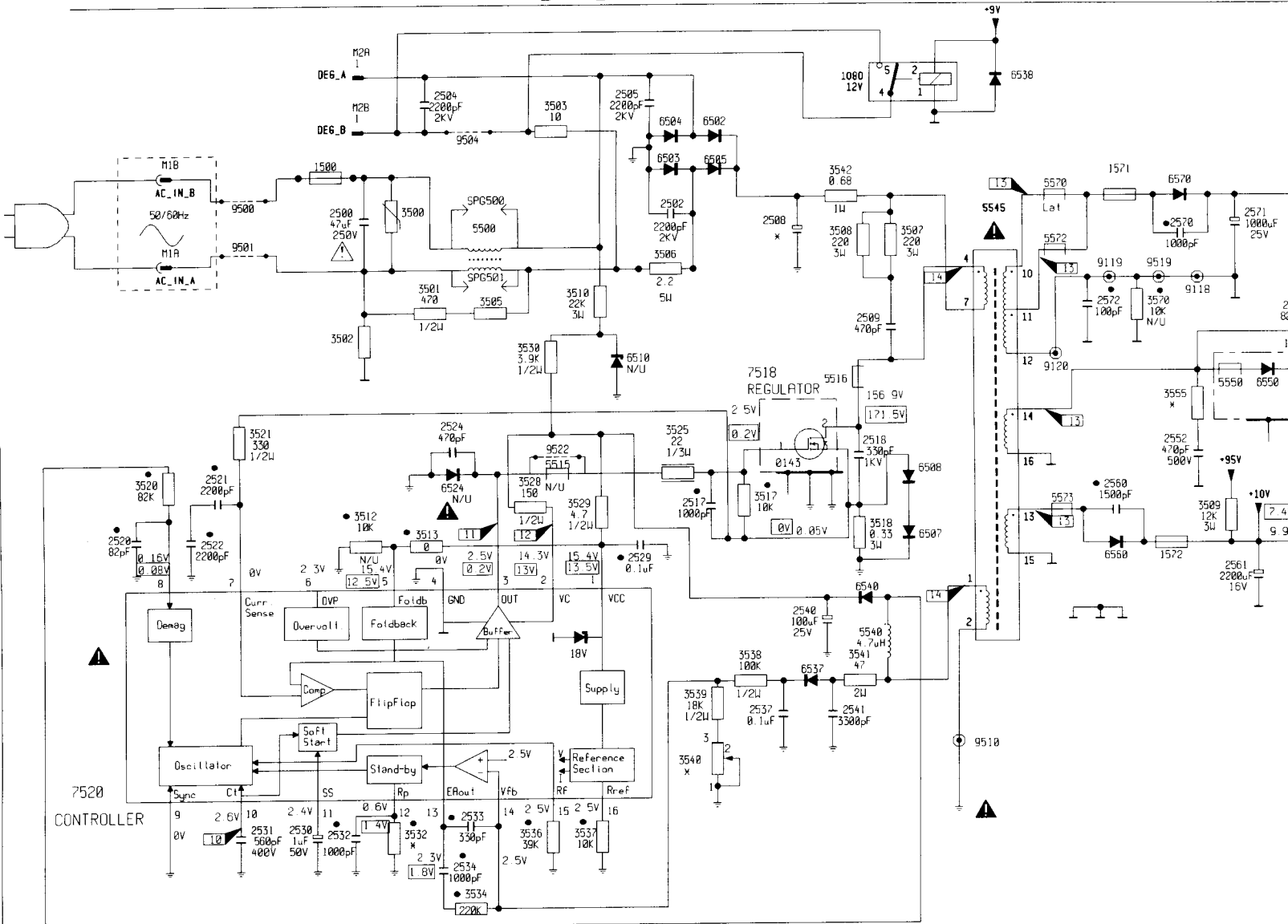
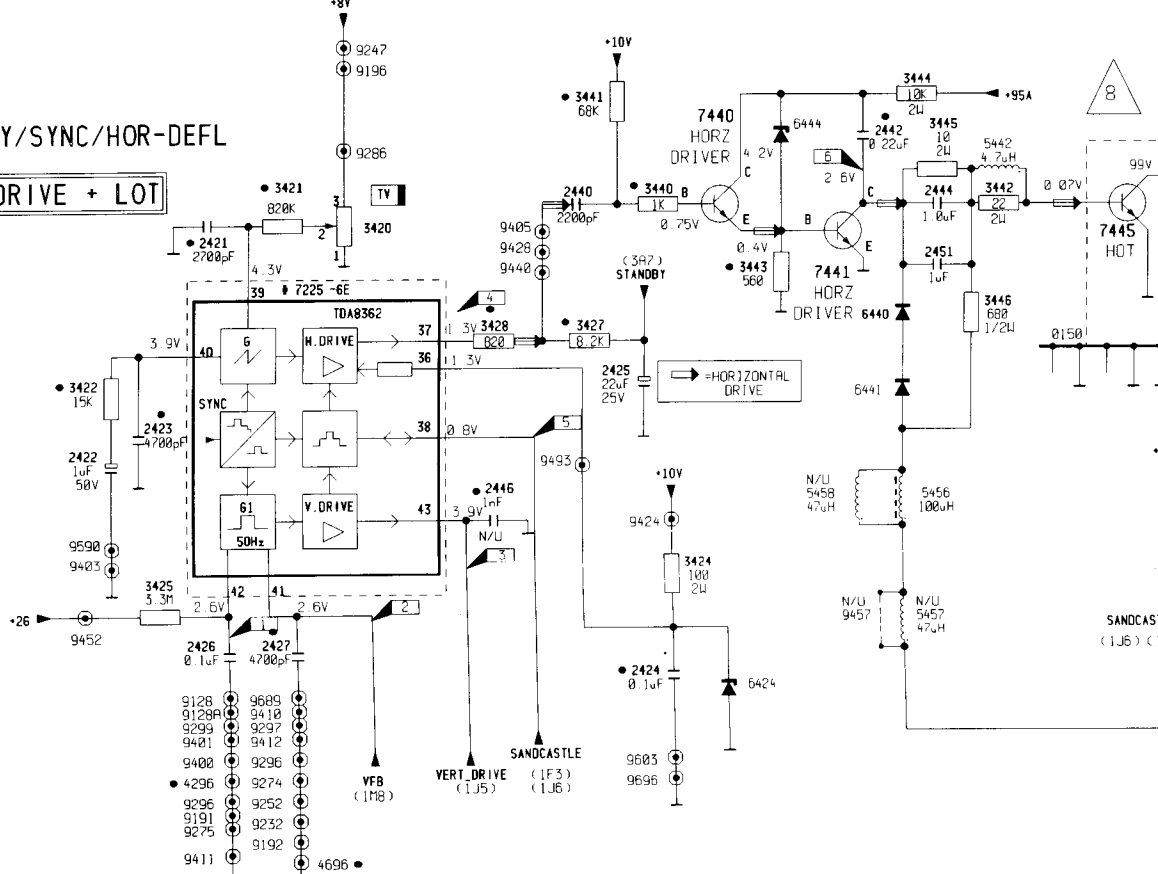


POWER-SUPPLY/SYNC/HOR-DEFL

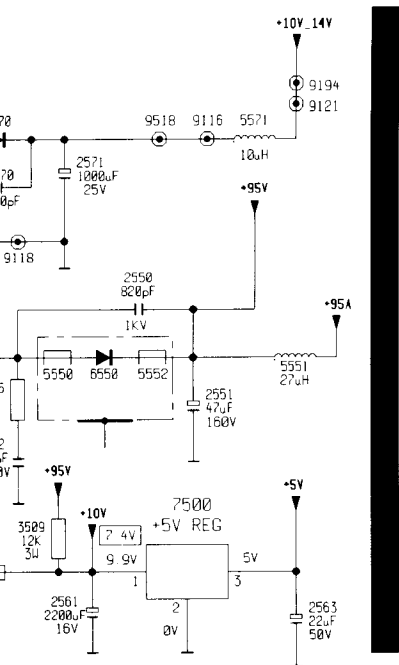
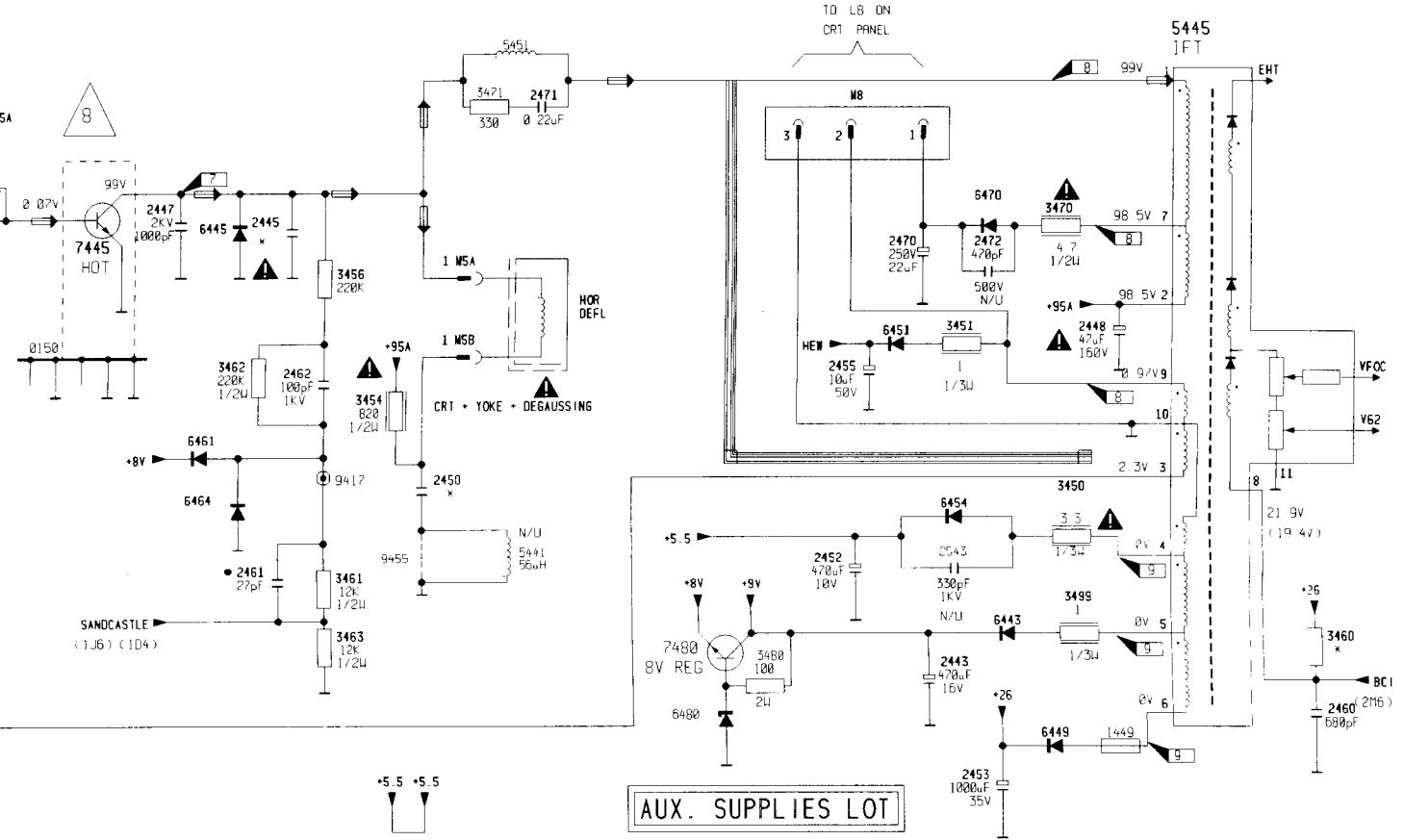
LINE DRIVE + LOT

*	14"	PAL	NTSC	PHILIP TUBE
		20"	20"	20"
3460	27K	20K	20K	20K
2460	68nF	82nF	82nF	82nF

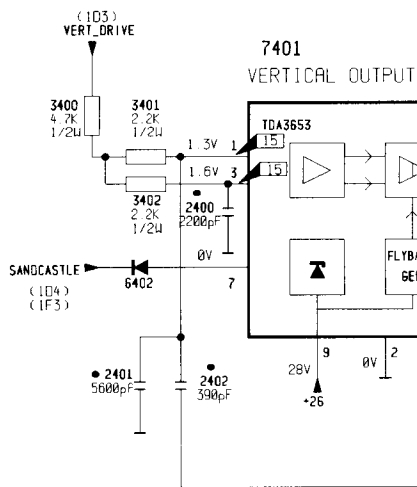
	USA	LATAM	AMV	NON-AMV
1500			4 Amp Fuse	2 Amp Fuse
2508			220uF/400V	220uF/250V
2552			330pF/500V	470pF/500V
3503			9 / 200V	10/120VAC
3640	OUT	8.2K		
3641	OUT	8.2K		
5570	OUT	4.7uK		



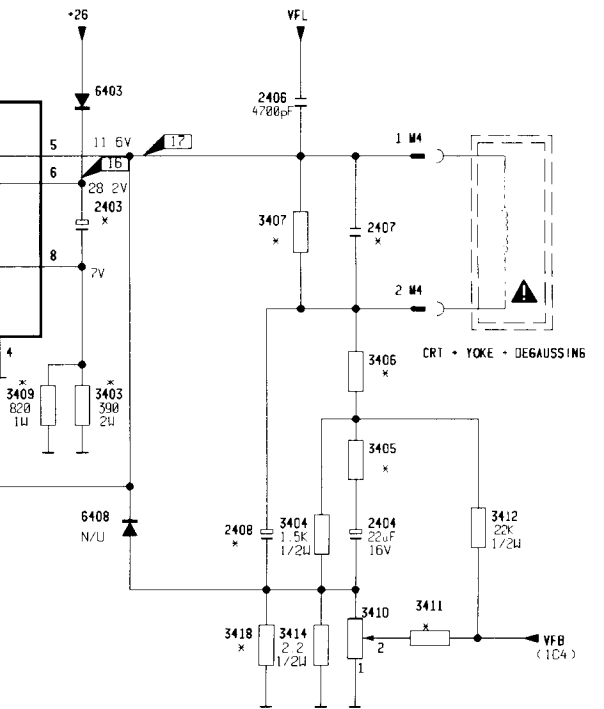
Let = LATAM



FRAME-OUTPUT

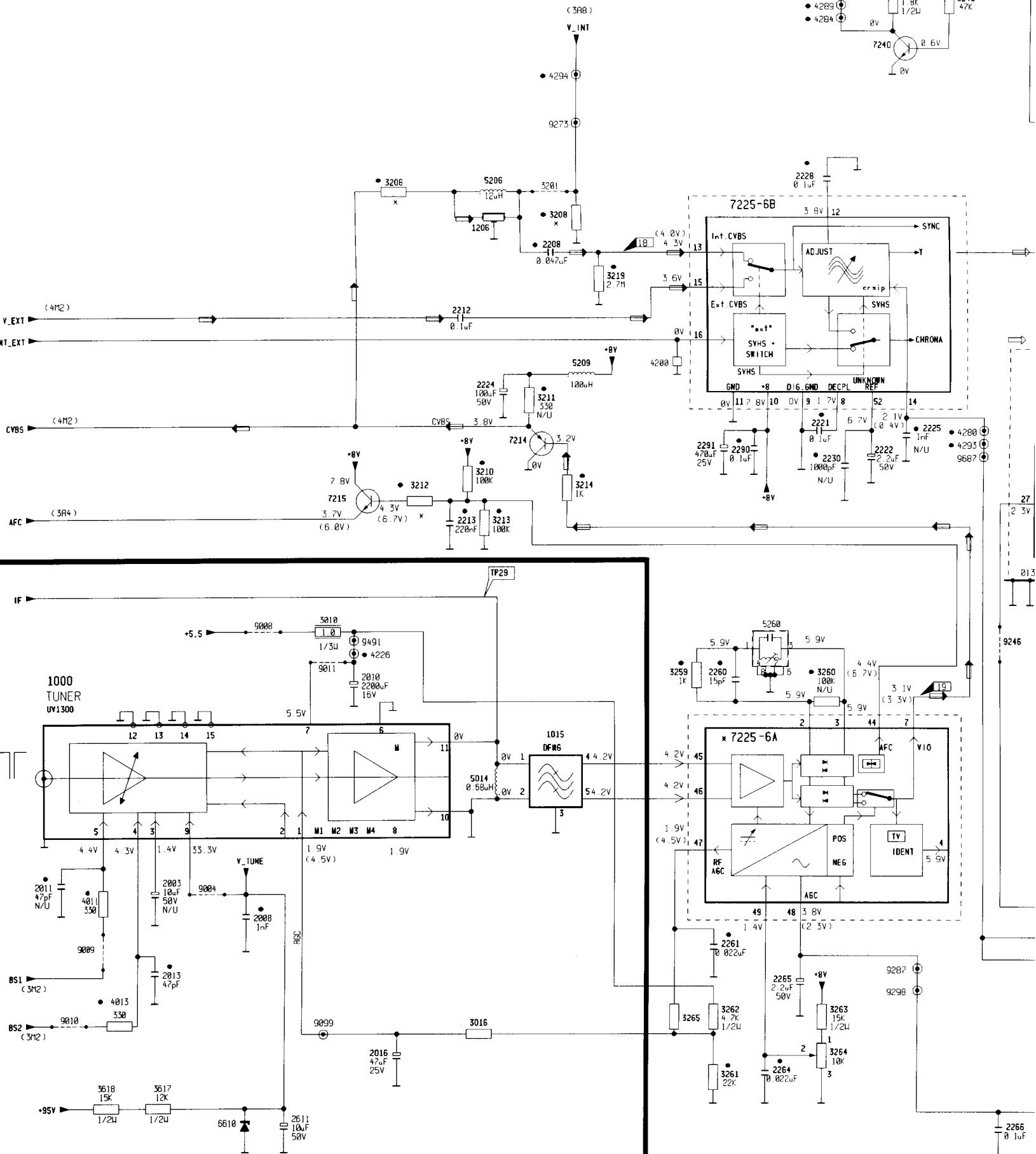


FRAME



SYMBOLY TABLE

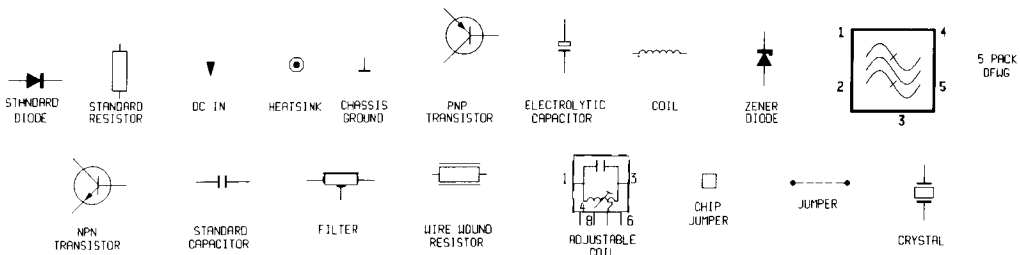

# TUNER/SAWFILTER IF VIDEO CHROMA



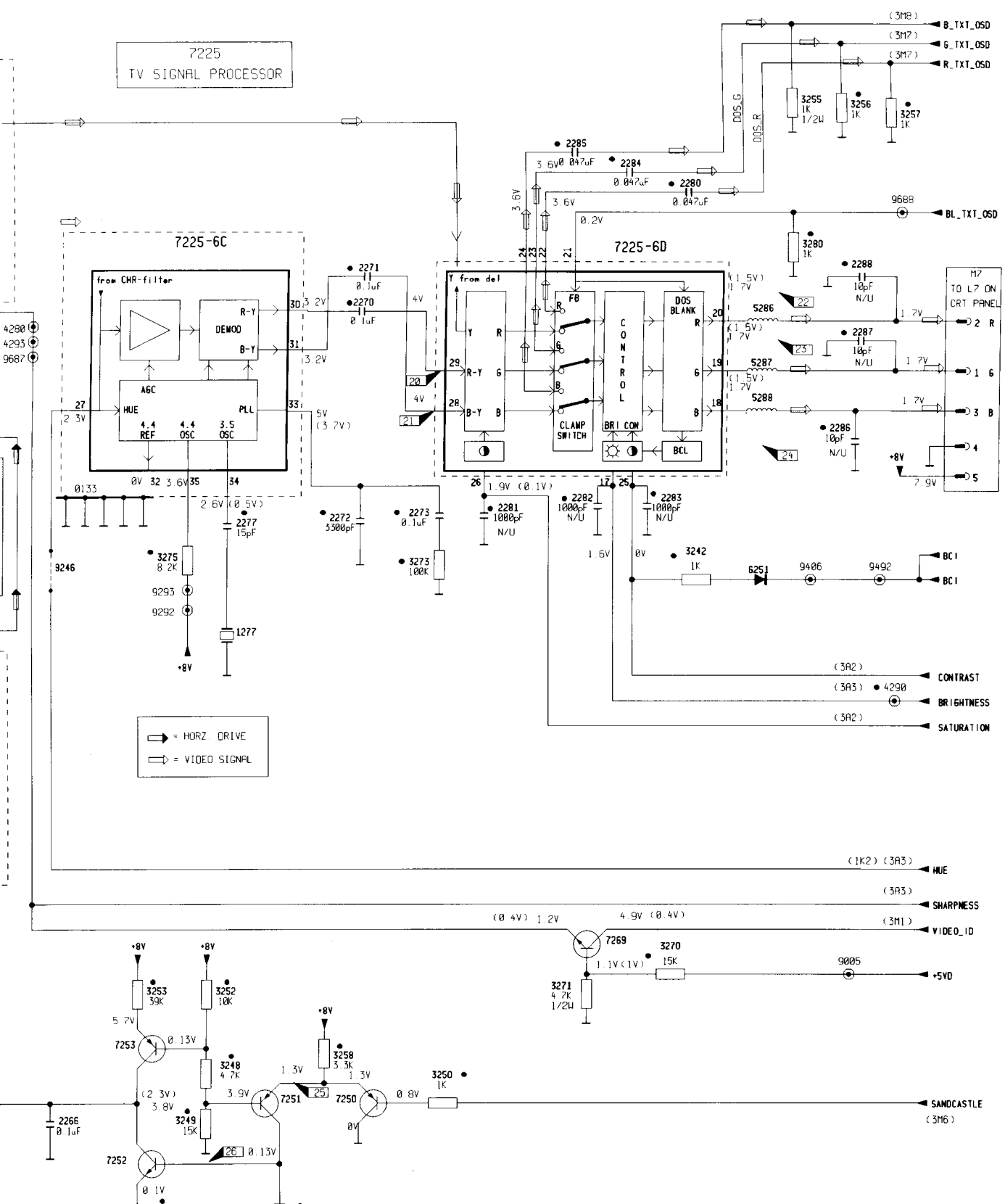
ANS-AA40 TUNER/SAW/BANDSWITCH

3240  
47K

SYMBOLGY TABLE



7225  
TV SIGNAL PROCESSOR



4298  
4293  
9687

= HORIZ DRIVE  
 = VIDEO SIGNAL

(1K2) (3A3) HUE

(3A3) SHARPNESS

(3M1) VIDEO\_ID

1.1V (1V) 3270 15K 9005 +5V

3271 4.7K 1/2W

7253 0.13V 3253 5K 3252 10K 3248 4.7K 3249 15K 3258 3.3K 3250 1.3V 7251 7250 0.8V 3250 1K

7252 0.1V 3254

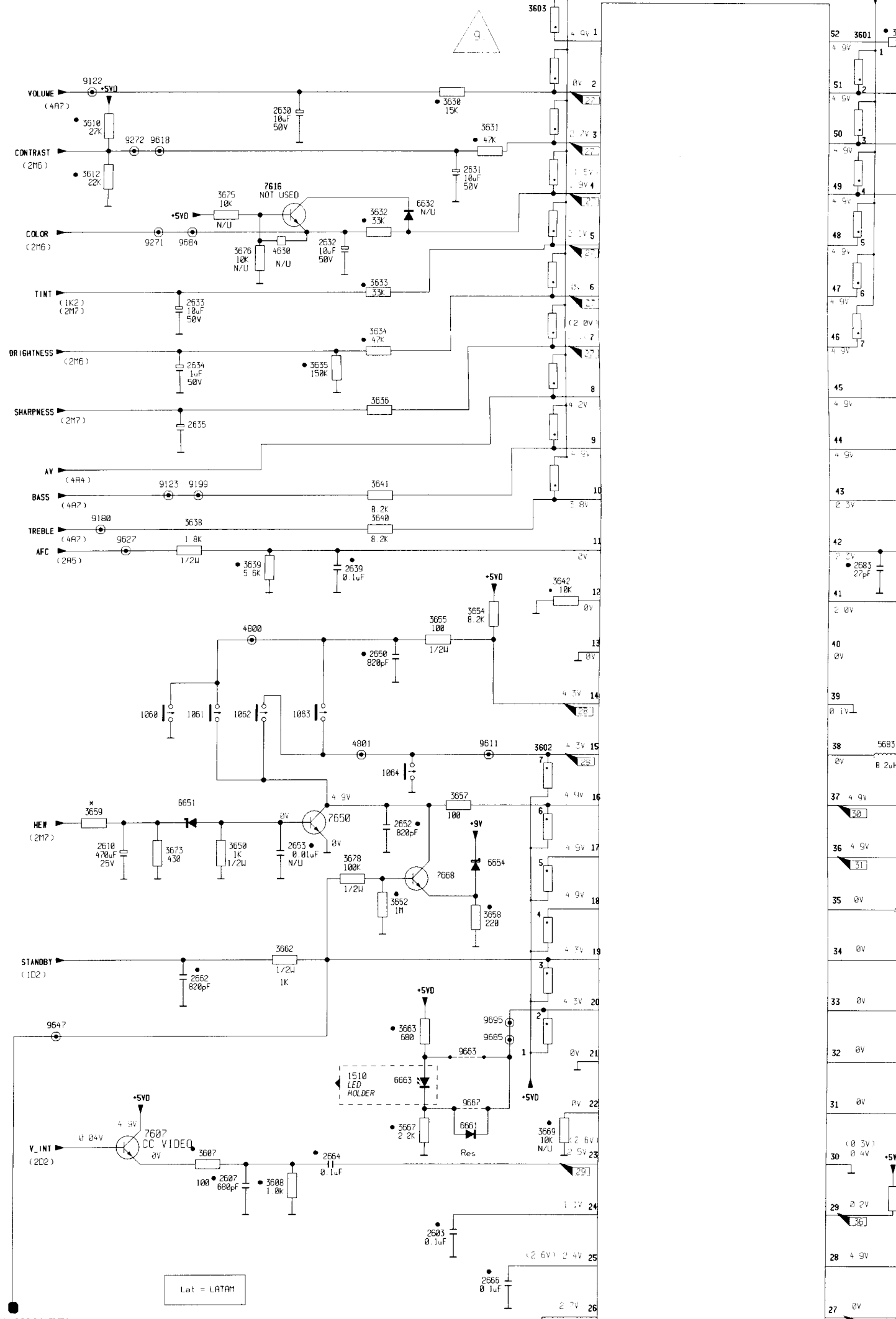
2266 0.1uF

5.7V 7253 0.13V 3253 5K 3252 10K 3248 4.7K 3249 15K 3258 3.3K 3250 1.3V 7251 7250 0.8V 3250 1K

7252 0.1V 3254

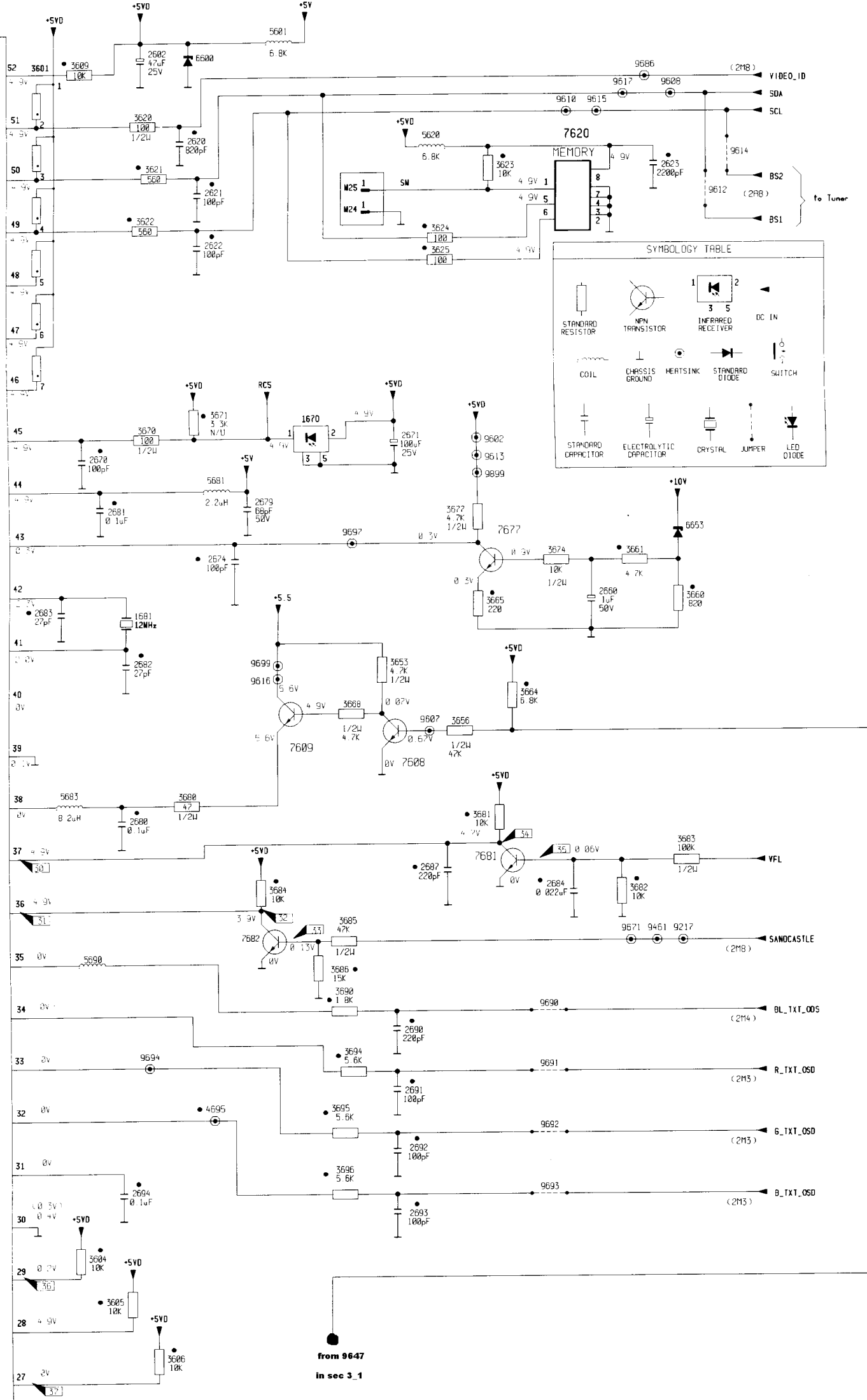
2266 0.1uF

SANDCASTLE (3M6)



to 3664 (+5VDC)  
in sec 3 2

Lat = LATAM

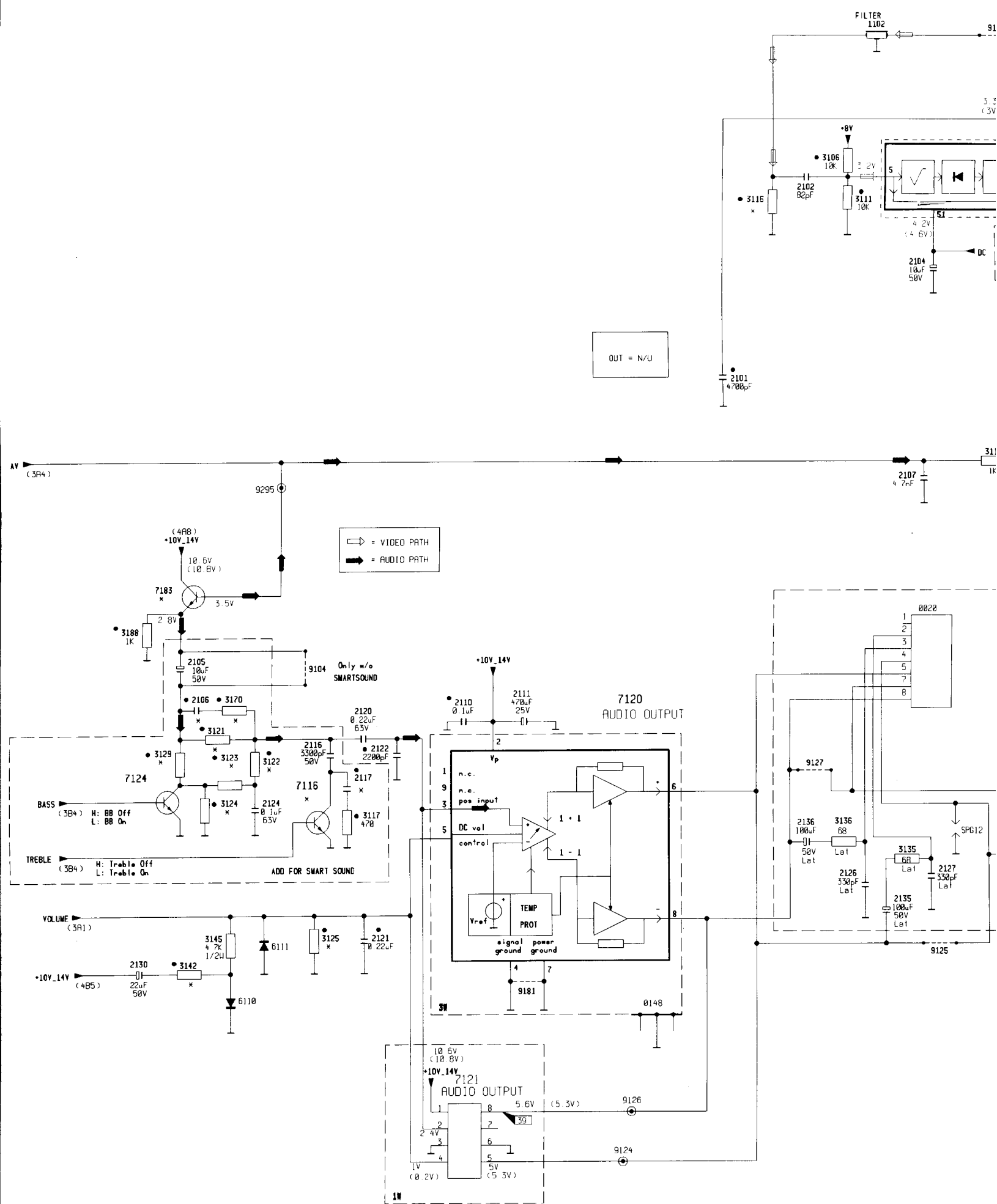


**SYMBOLOGY TABLE**

STANDARD RESISTOR	NPN TRANSISTOR	INFRARED RECEIVER	DC IN
COIL	CHASSIS GROUND	HEAT SINK	STANDARD DIODE
STANDARD CAPACITOR	ELECTROLYTIC CAPACITOR	CRYSTAL	JUMPER
		LED DIODE	

SECTION

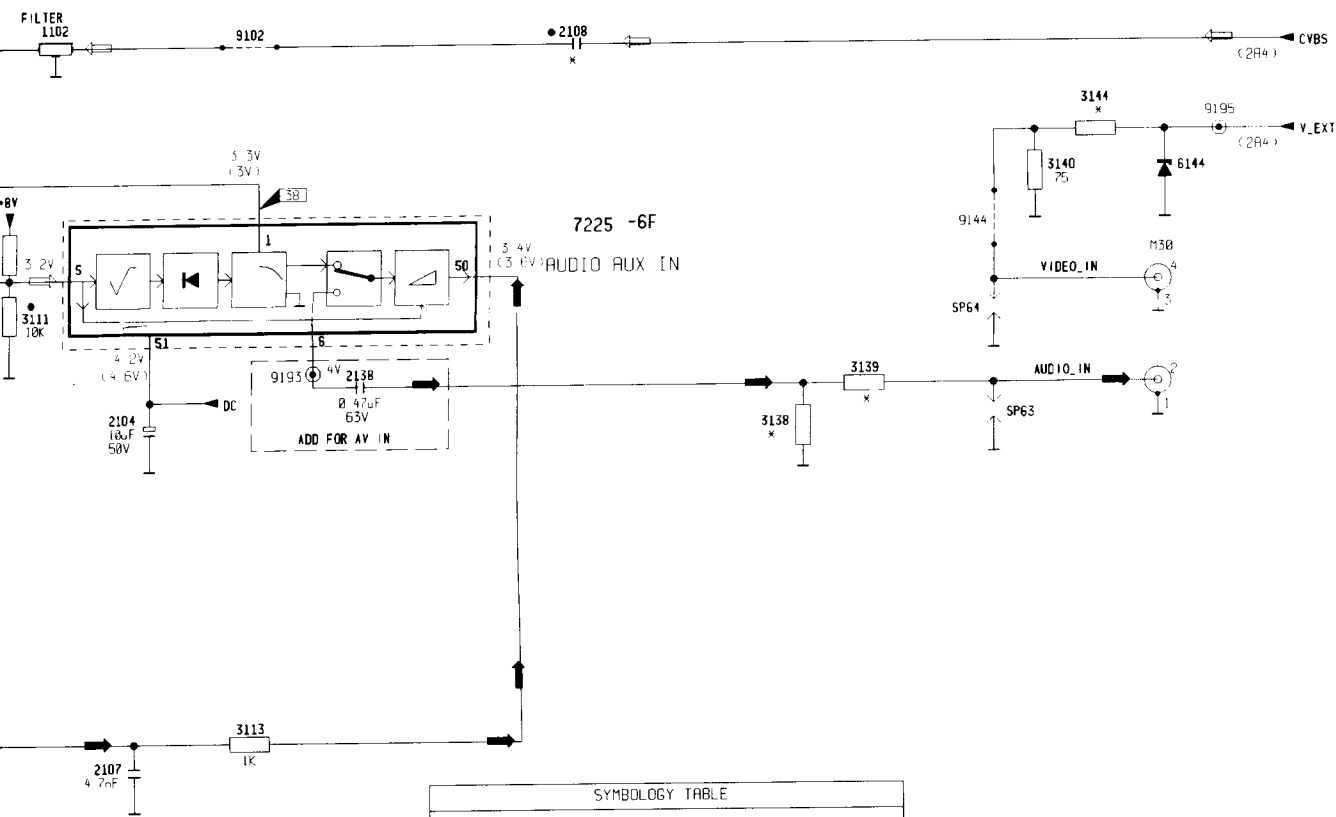
from 9647  
in sec 3.1



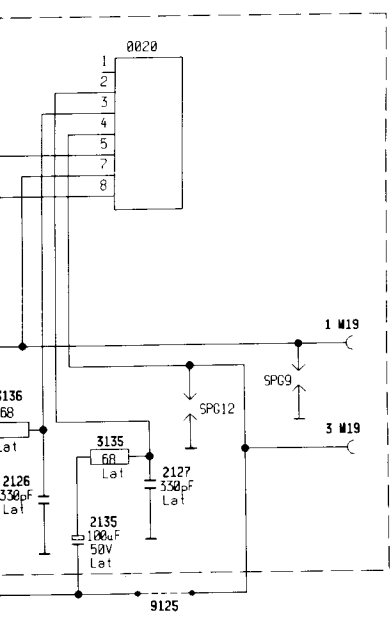
**INFORMATION**

WHEN MOVING FROM ONE SCHEMATIC SECTION TO ANOTHER, AN IDENTIFICATION METHOD HAS BEEN IMPLEMENTED, ALONG WITH A FUNCTIONAL NAME AND MAP COORDINATES. THIS METHOD ALSO INDICATES THE SCHEMATIC SECTION AND MAP COORDINATES THIS WIRE RE-ENTERS OR LEAVES THE CIRCUIT.

BESIDE EACH FUNCTIONAL DESCRIPTION, THE FIRST NUMBER SHOWN ON THE WIRE IS THE CHARACTER WHICH IDENTIFIES THE SECTION WHICH THE WIRE ENTERS OR LEAVES.



SYMBOLY TABLE				
ZENER DIODE	STANDARD DIODE	STANDARD CAPACITOR	NPN TRANSISTOR	JACK PANEL
ELECTROLYTIC CAPACITOR	STANDARD RESISTOR	FILTER	JUMPER	
HEATSINK	CHASSIS GROUND	DC IN	SPARKGAP	FEMALE CONNECTOR



BESIDE EACH FUNCTIONAL DESCRIPTION WILL BE A SERIES OF NUMBERS AND LETTERS WHICH ARE ENCLOSED WITHIN PARENTHESIS (LOCATOR SERIES)  
 THE FIRST NUMBER SHOWN ON THE LOCATOR SERIES (4A4) LOCATED NEXT TO THE ON/OFF WIRE INDICATES THE SCHEMATIC SECTION THIS WIRE WILL RE-ENTER THE CIRCUIT.  
 THE FIRST LETTER SHOWN ON THE LOCATOR SERIES (A) INDICATES THE SCHEMATIC SECTION THIS WIRE WILL RE-ENTER THE CIRCUIT.