

SCHEMATIC DIAGRAM: MAIN-1

Product safety should be considered when component replacement is made in any area of an electronics product. A star next to a component symbol number designates components in which safety is of special significance. It is recommended that only exact cataloged parts be used for replacement of these components.

Use of substitute replacement parts that do not have the same safety characteristics as recommended in factory service information may create shock, fire, excessive x-radiation of other hazards.

This schematic is for the use of qualified technicians only. This instrument contains no user-serviceable parts.

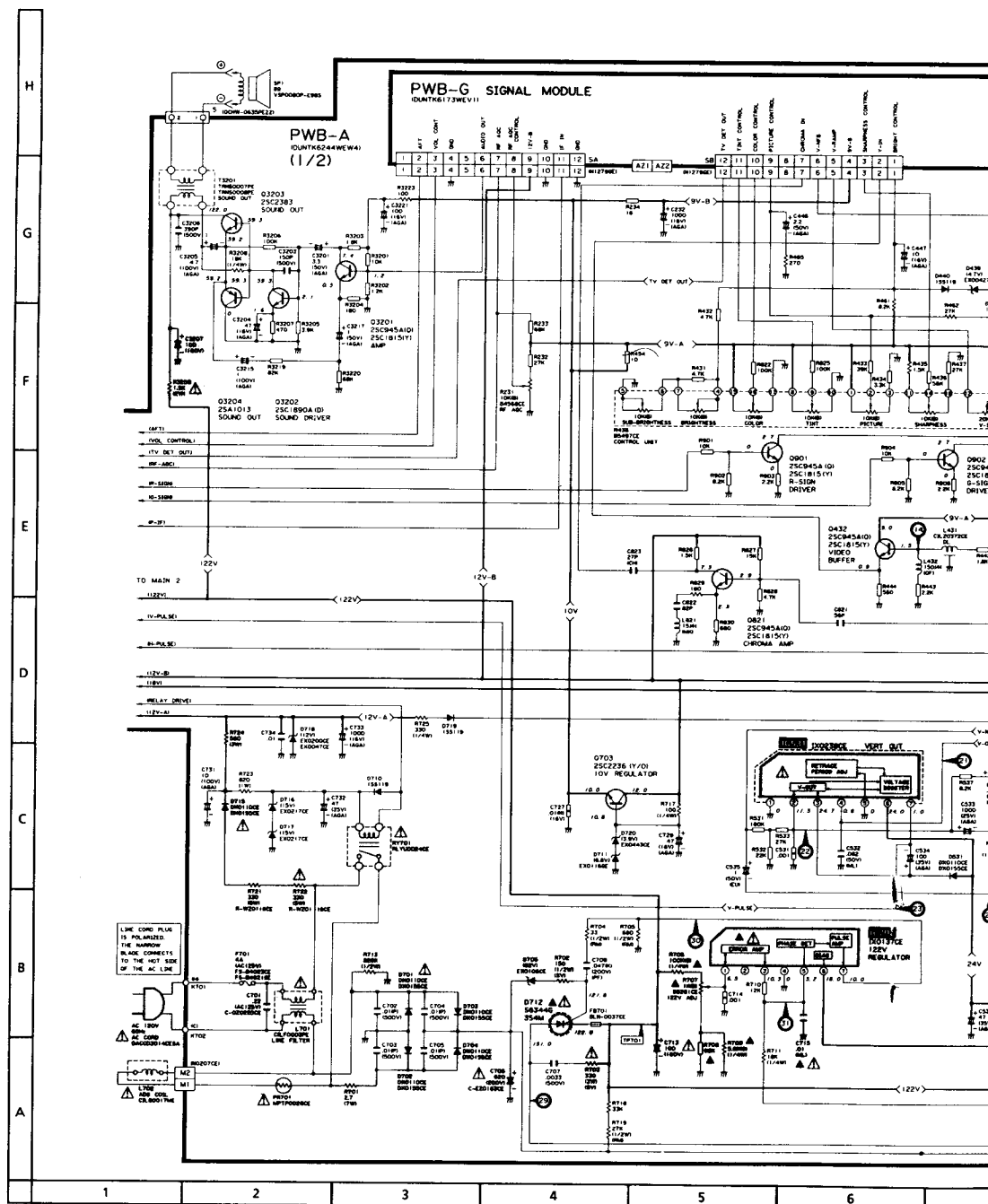
The other portions of this schematic may be found on other Profax pages.

MARCH 1994

Profax Number

SHARP

Color TV Model 20SB55, Chassis No. 20R1. 3113



SCHEMATIC DIAGRAM: MAIN-1



SCHEMATIC DIAGRAM: MAIN-1

Product safety should be considered when component replacement is made in any area of an electronics product. A star next to a component symbol number designates components in which safety is of special significance. It is recommended that only exact cataloged parts be used for replacement of these components.

Product safety should be considered when component replacement is made in any area of an electronics product. A star next to a component symbol number designates components in which safety is of special significance. It is recommended that only exact cataloged parts be used for replacement of these components.

This schematic is for the use of qualified technicians only. This instrument contains no user-serviceable parts.

Use of substitute replacement parts that do not have the same safety characteristics as recommended in factory service information may create shock, fire, excessive x-radiation of other hazards.

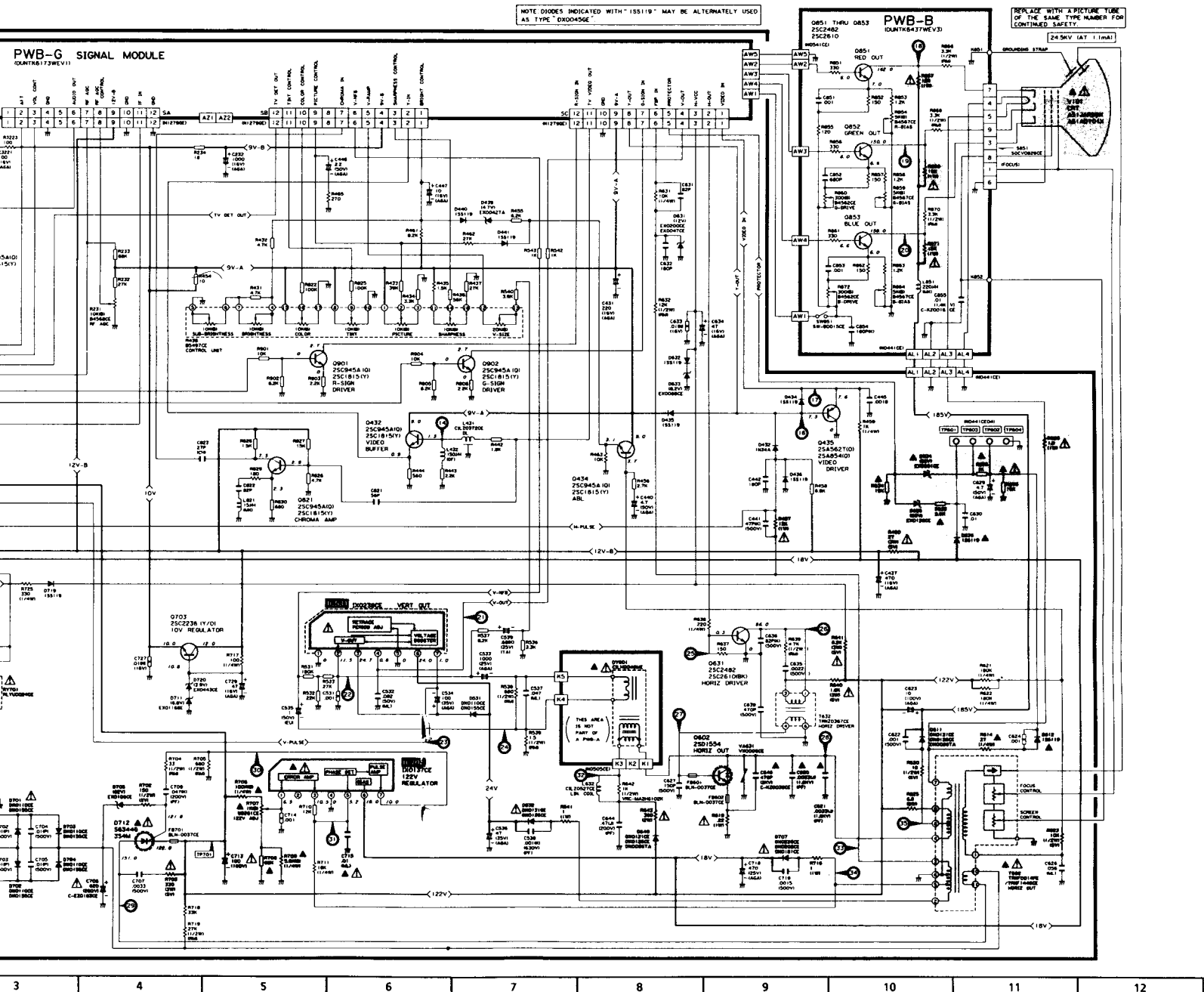
Use of substitute replacement parts that do not have the same safety characteristics as recommended in factory service information may create shock, fire, excessive x-radiation or other hazards.

The other portions of this schematic may be found on other Profax pages.

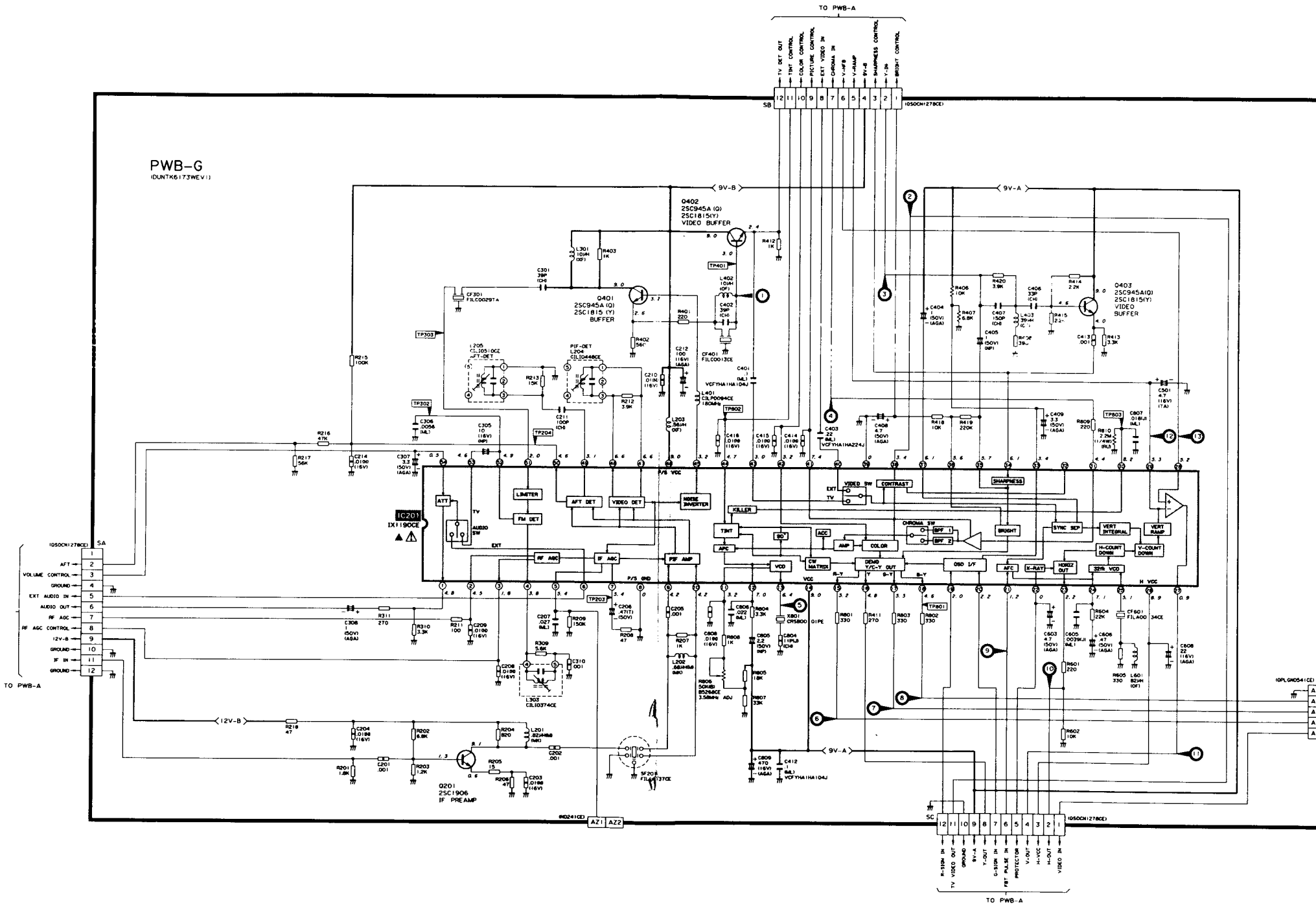
All integrated circuits and many other components are sensitive and require special handling.

This schematic is for the use of qualified technicians only. This instrument contains no user-serviceable parts.

The other portions of this schematic may be found on other Profax pages.



PWB-G
(DUNT6173REV1)



SCHEMATIC DIAGRAM: MAIN-2

be considered when component replacement is made in this product. A star next to a component symbol number designates components in which safety is of special significance. It is recommended that only exact cataloged parts be used for replacement of these

replacement parts that do not have the same safety characteristics as recommended in factory service information may create a shock, fire, excessive x-radiation or other hazards.

This schematic is for the use of qualified technicians only. This instrument contains no user-serviceable parts.

The other portions of this schematic may be found on other Profax pages.

All integrated circuits and many other semiconductors are electrostatically sensitive and require special handling techniques.

Product safety should be considered in any area of an electronics product. Symbols designates components in which safety is of special significance. It is recommended that only exact cataloged parts be used for replacement of these

Use of substitute replacement parts may have characteristics as recommended in factory service information may create a shock, fire, excessive x-radiation or other hazards.

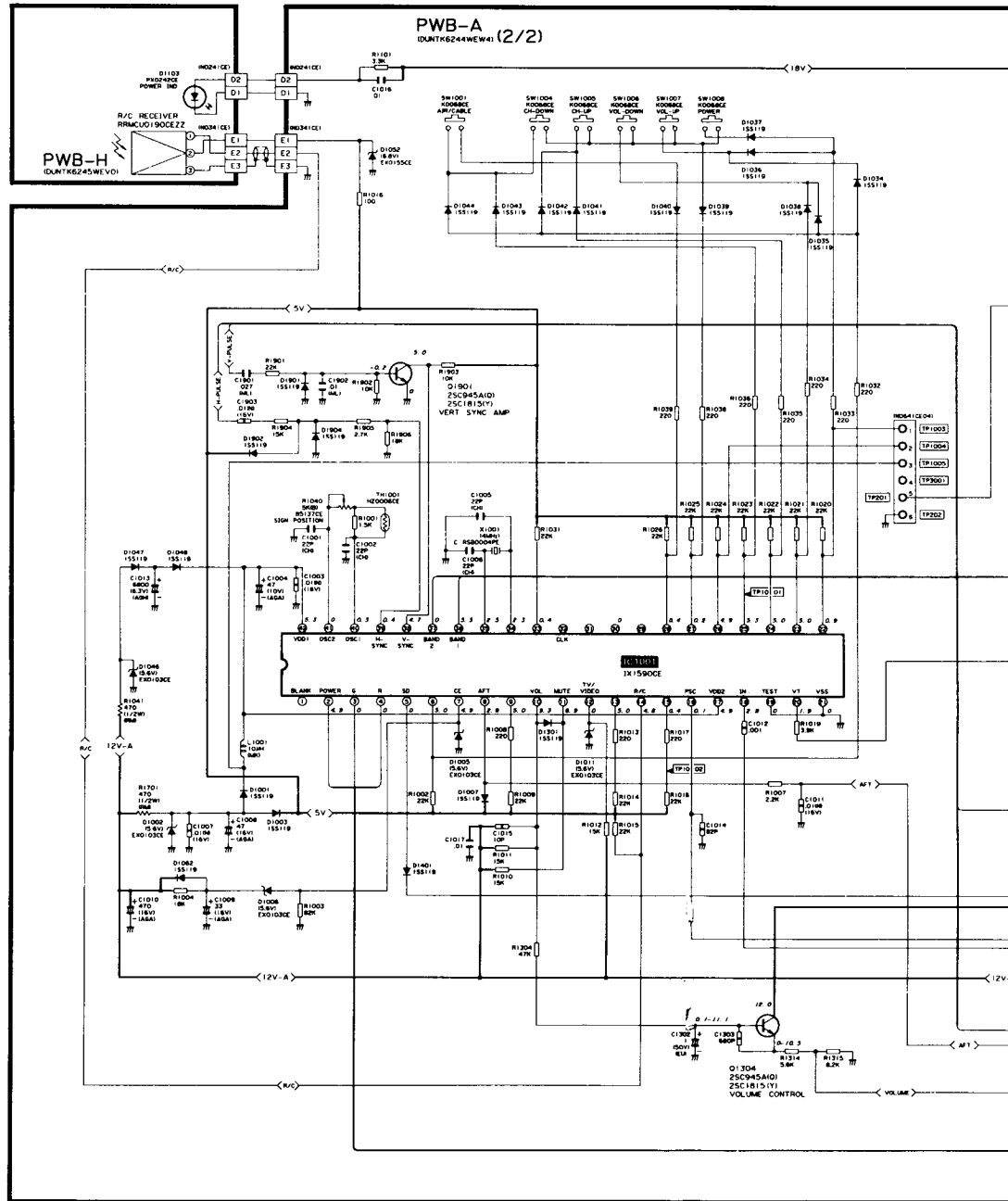
H
G
F
E
D
C
B
A
1 2 3 4 5 6 7 8

INDICATION OF E-TUNER TERMINAL VOLTAGE

CH No.	V _T	B ₁	B ₂	B ₃	B ₄
2~6	1.6V~10V	12V	0V	0V	0V
A-5~13	1V~22.5V	0V	12V	0V	0V
J~FFF	3.5V~23.5V	0V	0V	12V	0V
14~83	1.2V~17V	0V	0V	0V	12V

INDICATION OF SENSOR IC VOLTAGE (IC1001)

Pin No.	IC1001 Logic or Voltage Levels
2	5V(Power on) 0V(Power off)
3, 4	Active High (Pulse)
5	SD Input 5V or 0V
6	Key Input Active Low (Pulse)
7	4.8V (Active High)
8	2.0V~3.5V
9	Key Input Active Low (Pulse)
10	Pulse
11	Low(Mute on) High(Mute off)
12	0V
13	Key Input Active Low (Pulse)
14	Active Low (Pulse)
15	Key Input Active Low (Pulse)
16, 18	Pulse
20	Pulse
22~28, 33	Key Input Active Low (Pulse)
34, 35	Osc. 4MHz
36, 37	5V or 0V
38	V-Sync. Pulse Input
39	H-Sync. Pulse Input
40	OSC 1 During ON SCREEN operation: Osc. On
41	OSC 2 During ON SCREEN operation: Osc. Off



SCHEMATIC DIAGRAM: MAIN-2

Product safety should be considered when component replacement is made in any area of an electronics product. A star next to a component symbol number designates components in which safety is of special significance. It is recommended that only exact cataloged parts be used for replacement of these components.

Use of substitute replacement parts that do not have the same safety characteristics as recommended in factory service information may create shock, fire, excessive x-radiation or other hazards.

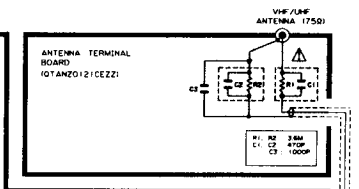
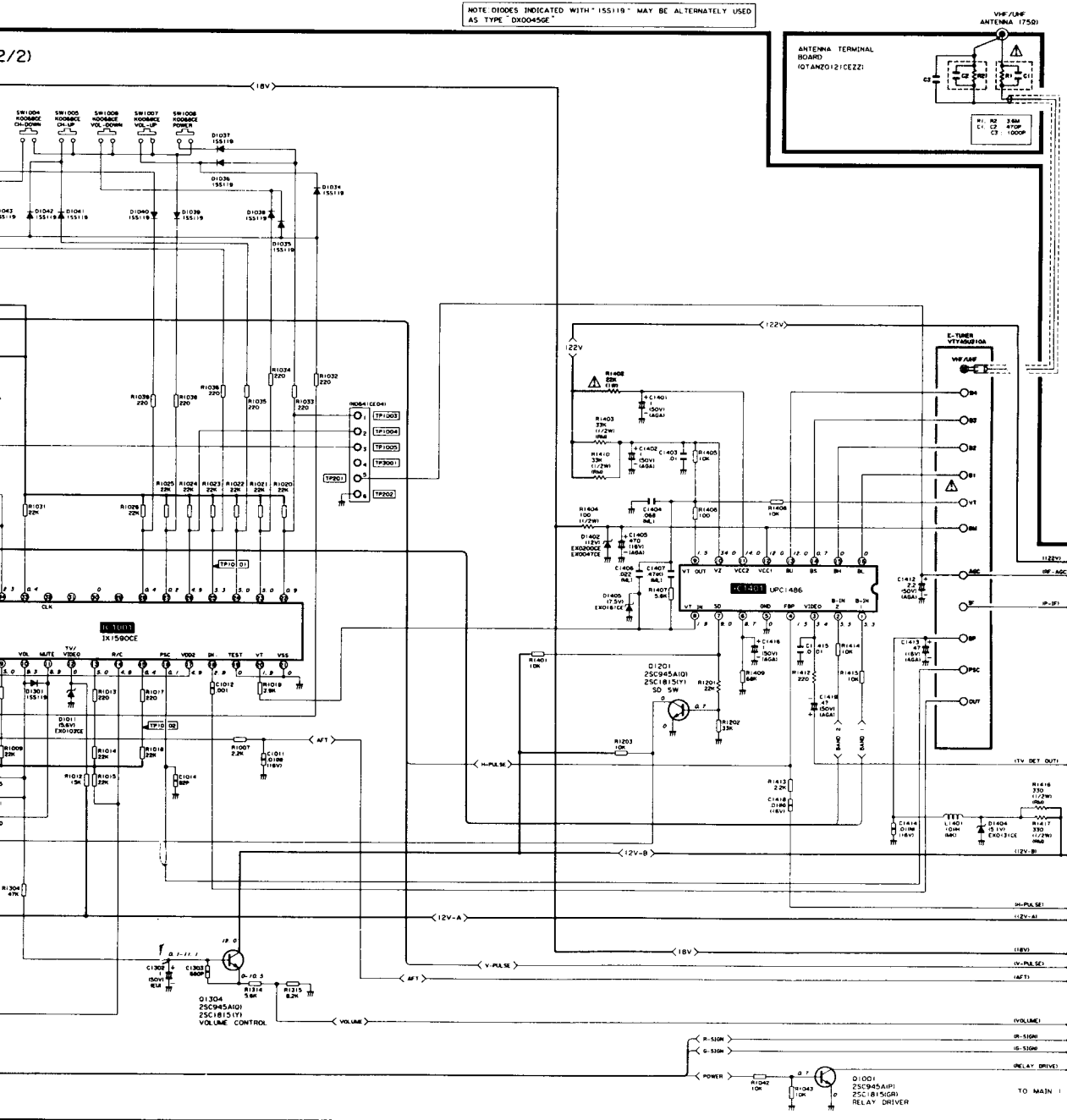
This schematic is for the use of qualified technicians only. This instrument contains no user-serviceable parts.

The other portions of this schematic may be found on other Profax pages.

All integrated circuits and many other semiconductors are electrostatically sensitive and require special handling techniques.

NOTE: DIODES INDICATED WITH '155119' MAY BE ALTERNATELY USED AS TYPE DX0045GE

2/2)



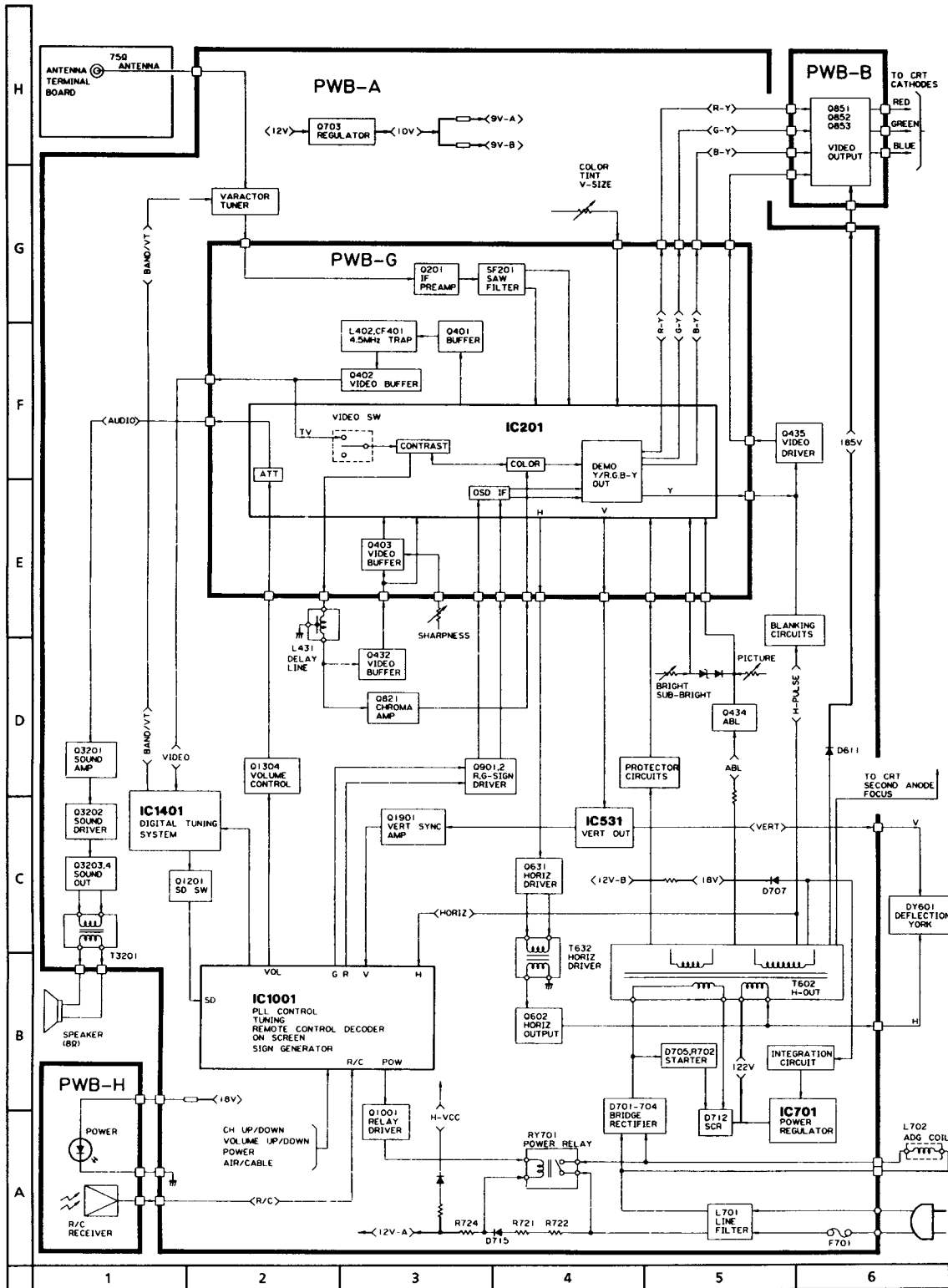
BLOCK DIAGRAM

SHARP
Color TV
Model 20SB55
chassis No. 20R1

Product safety should be considered when component replacement is made in any area of an electronics product. A star next to a component symbol number designates components in which safety is of special significance. It is recommended that only exact cataloged parts be used for replacement of these components.

Use of substitute replacement parts that do not have the same safety characteristics as recommended in factory service information may create shock, fire, excessive x-radiation or other hazards.

This schematic contains no use
The other portion
All integrated c
sensitive and re



CHASSIS LAYOUT

This schematic is for the use of qualified technicians only. This instrument contains no user-serviceable parts.

The other portions of this schematic may be found on other Profax pages.

All integrated circuits and many other semiconductors are electrostatically sensitive and require special handling techniques.

